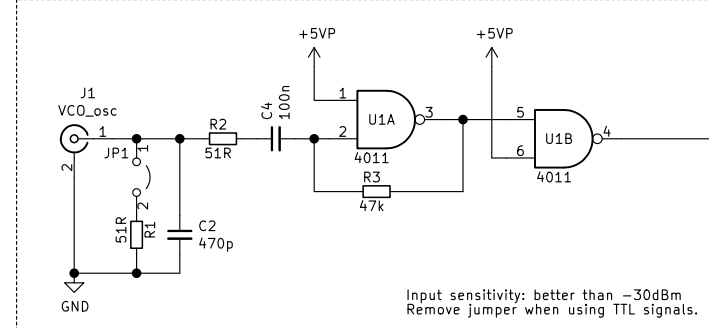
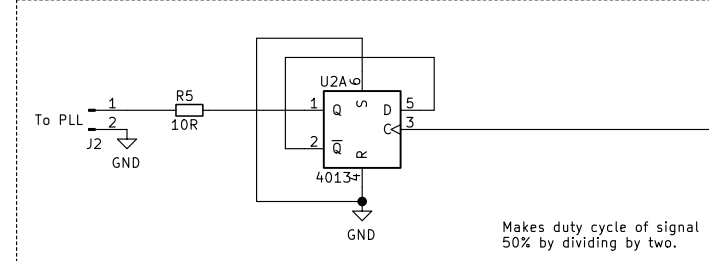


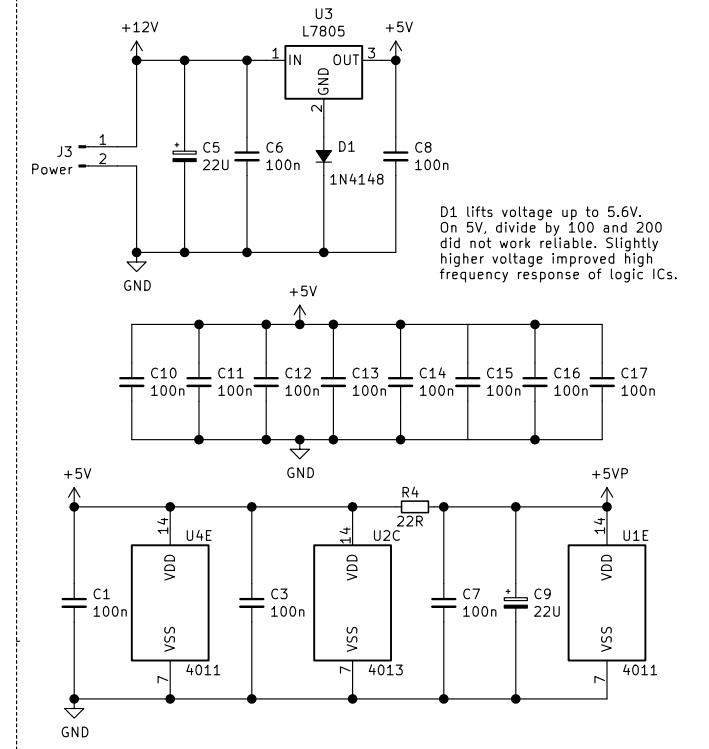
Clock receiver



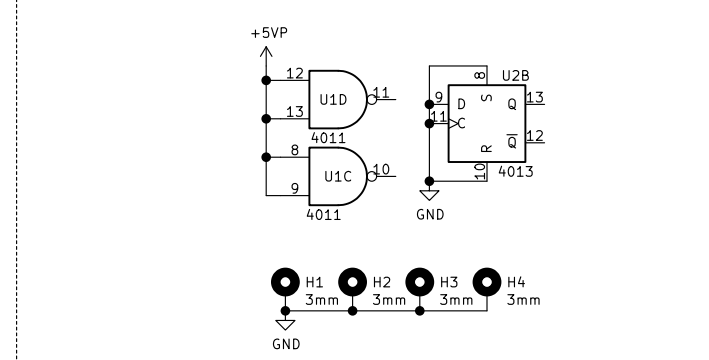
Pulse shaper



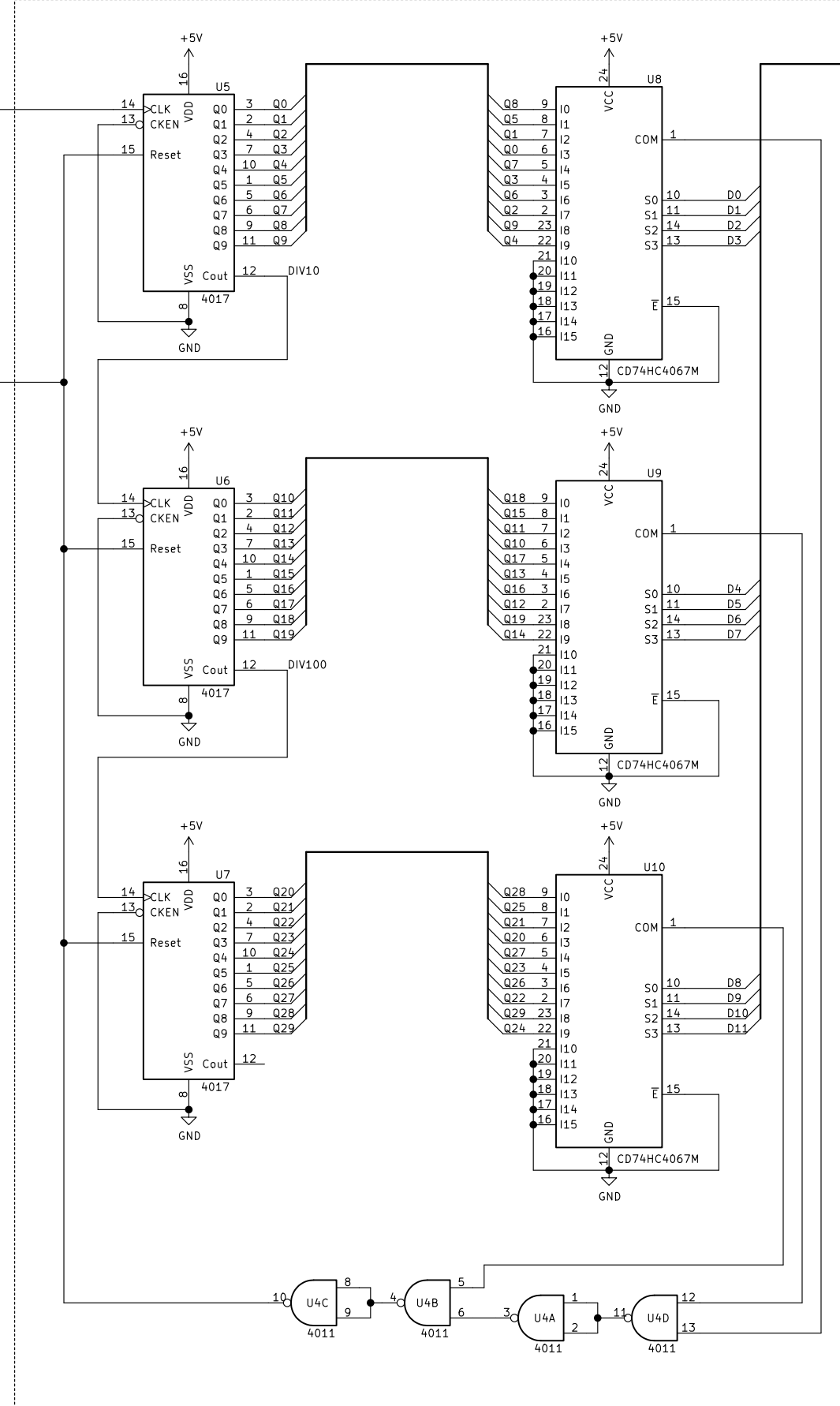
Power supply



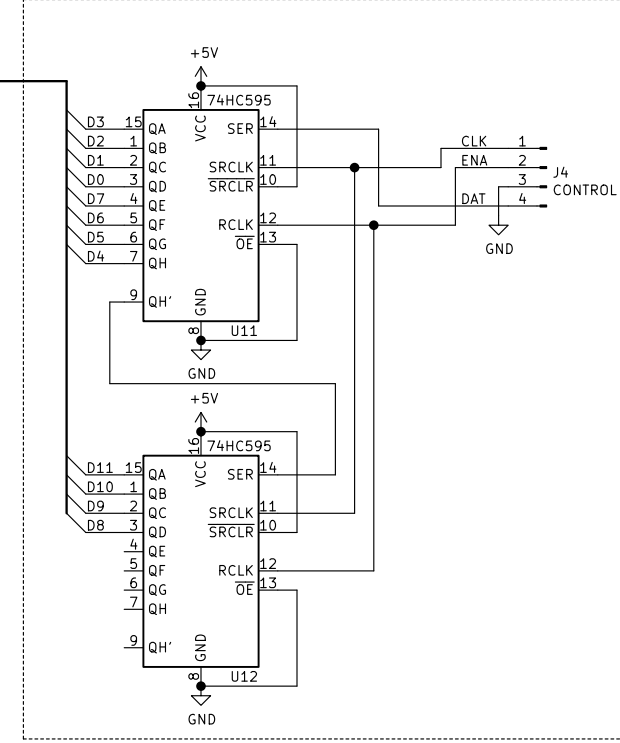
Miscellaneous



Programmable divider (divide by 1, 2, 3, .... 1000)



Shift register



Programmable frequency divides with 1kHz steps.  
For use with PLL operating at 500Hz.  
Rev 2: added D1 in power supply to raise output voltage.

M. Konstapel  
<https://meezenest.nl/mees>  
**Mees Electronics**  
 Sheet: /  
 File: frequency\_divider.sch  
**Title: Transmitter – frequency divider**  
 Size: A3 Date: 2021-02-01 Rev: 2  
 KiCad E.D.A. kicad 5.1.2-5.1.2 Id: 1/1