
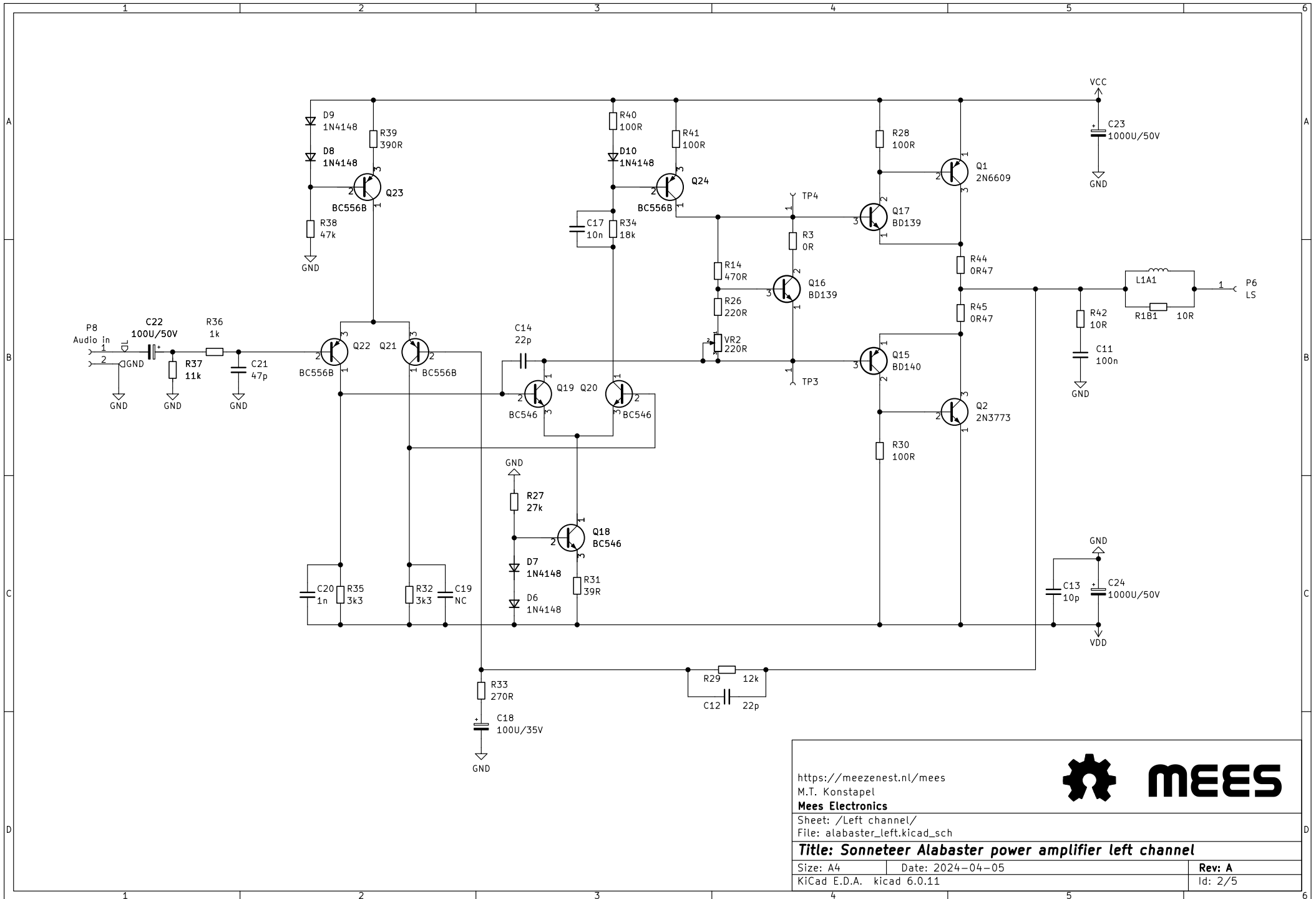


Sonneteer Alabaster power amplifier.
 Reversed engineered by Mees Electronics.
 It may not be entirely correct!

https://meezenest.nl/mees M.T. Konstapel Mees Electronics		
Sheet: / File: alabaster_schematic.kicad_sch		
Title: Sonneteer Alabaster power amplifier overview		
Size: A4	Date: 2024-04-05	Rev: A
KiCad E.D.A. kicad 6.0.11		Id: 1/5



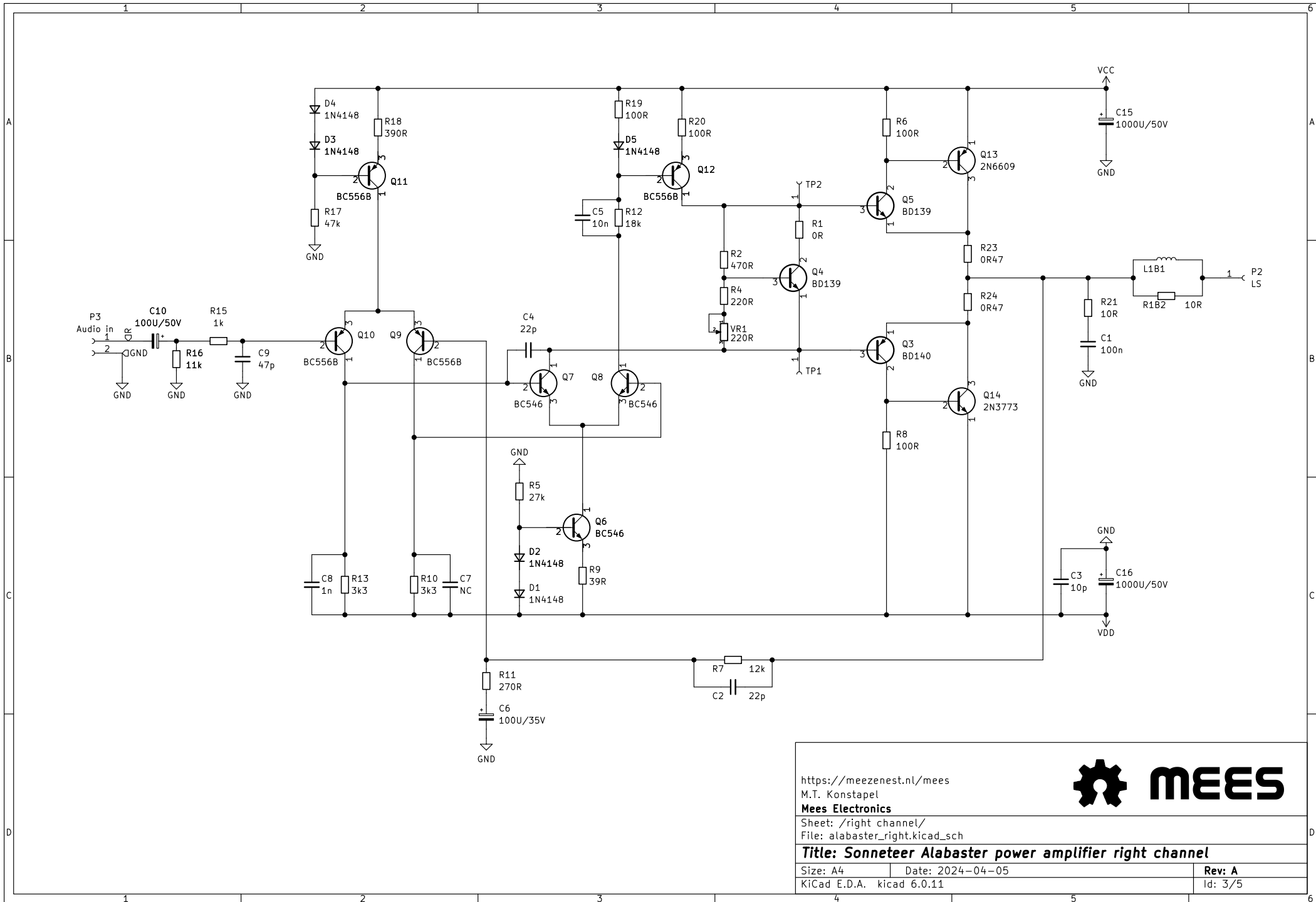
<https://meezenest.nl/mees>
 M.T. Konstapel
Mees Electronics
 Sheet: /Left channel/
 File: alabaster_left.kicad_sch



Title: Sonneteer Alabaster power amplifier left channel

Size: A4 Date: 2024-04-05
 KiCad E.D.A. kicad 6.0.11

Rev: A
 Id: 2/5



<https://meezenest.nl/mees>

M.T. Konstapel

Mees Electronics

Sheet: /right channel/

File: alabaster_right.kicad_sch

Title: Sonneteer Alabaster power amplifier right channel

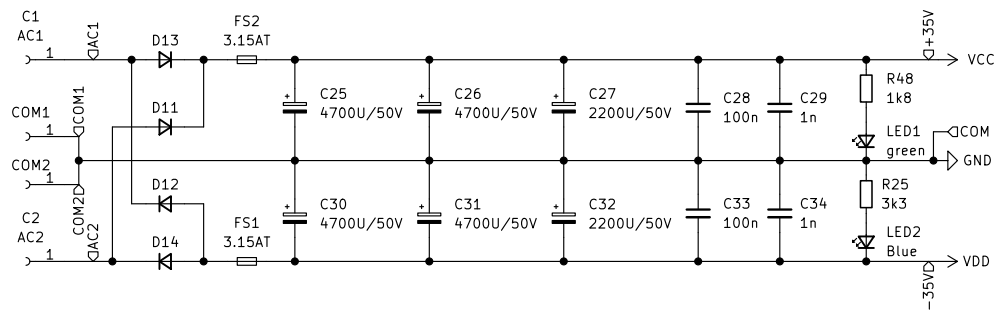
Size: A4 Date: 2024-04-05

Rev: A

KiCad E.D.A. kicad 6.0.11

Id: 3/5





<https://meezenest.nl/mees>
 M.T. Konstapel
Mees Electronics



MEES

Sheet: /Power supply/
 File: sonneteer_power_supply.kicad_sch

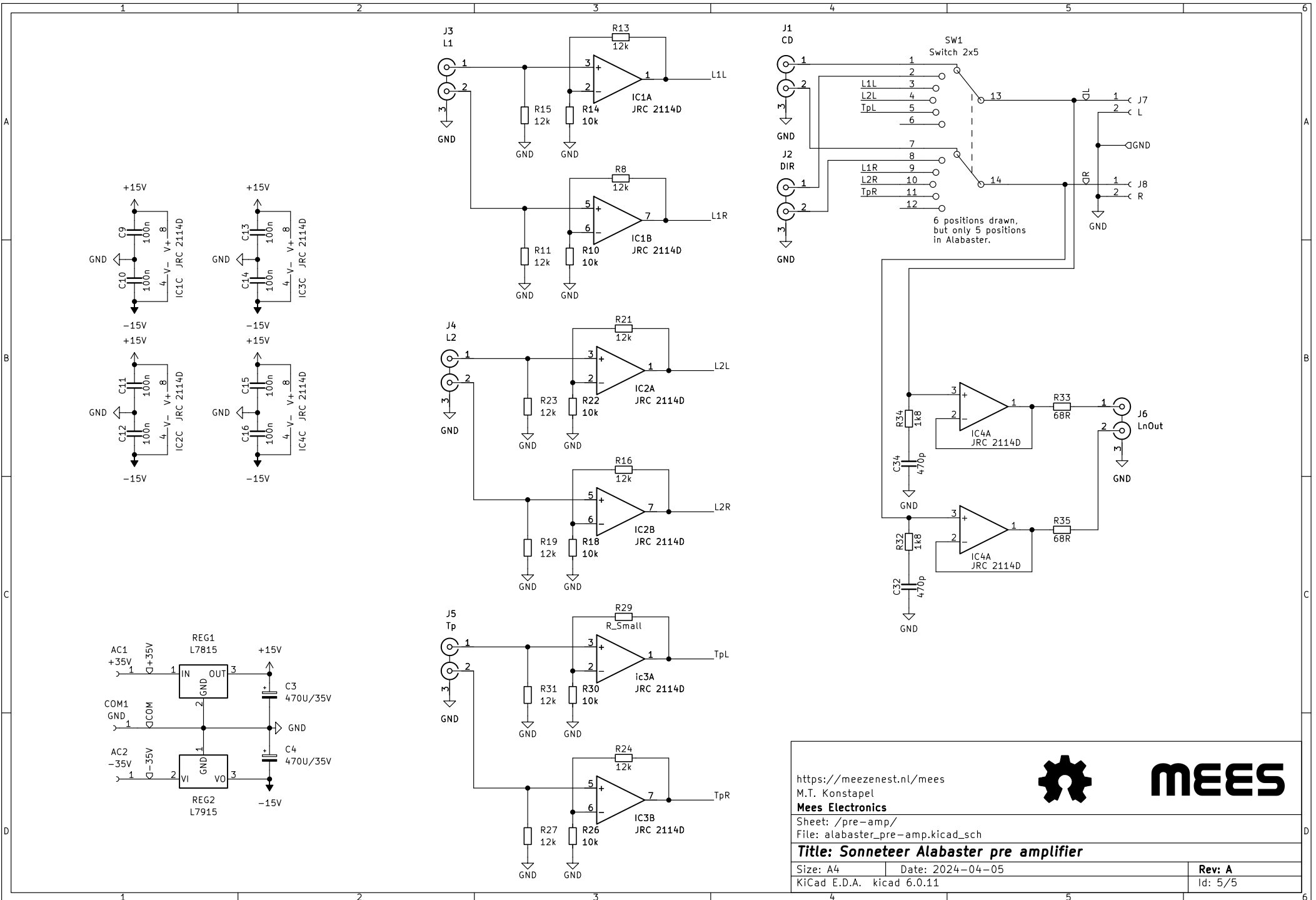
Title: Sonneteer Alabaster power supply



Size: A4 Date: 2024-04-05

Rev: A

KiCad E.D.A. kicad 6.0.11

Id: 4/5



<https://meezenest.nl/mees>
 M.T. Konstapel
Mees Electronics
 Sheet: /pre-amp/
 File: alabaster_pre-amp.kicad_sch

Title: Sonneteer Alabaster pre amplifier

Size: A4	Date: 2024-04-05
KiCad E.D.A. kicad 6.0.11	Rev: A
	Id: 5/5