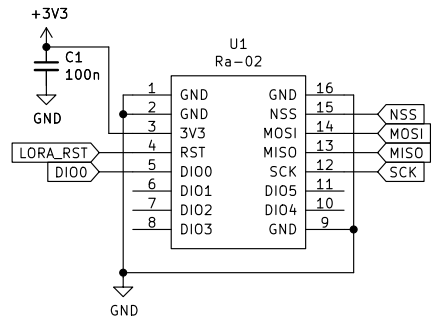
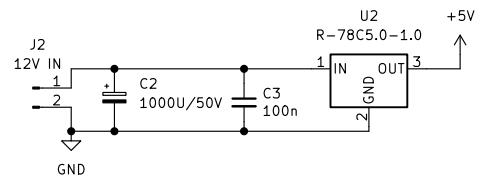


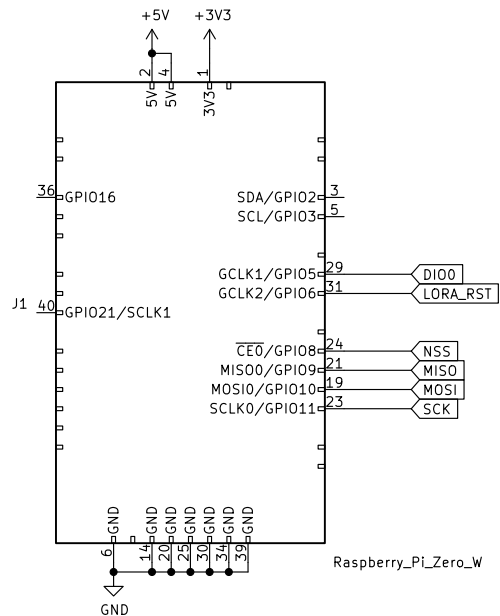
433MHz LORA transceiver



Power supply



Raspberry Pi Zero W



Modification to the Solar Generator.
 This adds a LoRa (433MHz) transceiver.
 The LoRa module is configured as a
 LoRa APRS node. Every 10 minutes it
 sends important data back to the APRS
 server in the main house.
 Software can be found on the website.

All the other functions of the RPi are
 unchanged.
 (WiFi, RS485 over USB and Bluetooth)

- H1
M3
- H2
M3
- H3
M3
- H4
M3

MEES

<https://meezenest.nl/mees>

M. Konstapel

Sheet: /

File: RPi_with_LoRa.kicad_sch

Title: Solar Generator with LoRa

Size: A4 Date: 2023-12-08

KiCad E.D.A. kicad 6.0.11

Rev: 1

Id: 1/1

