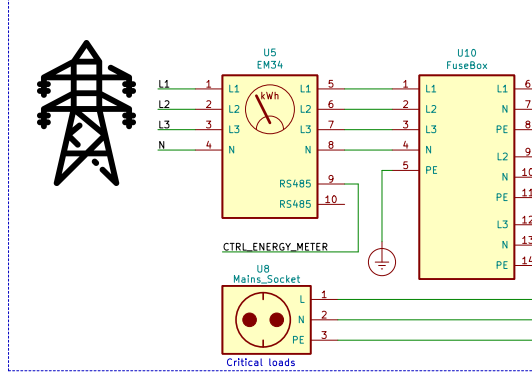
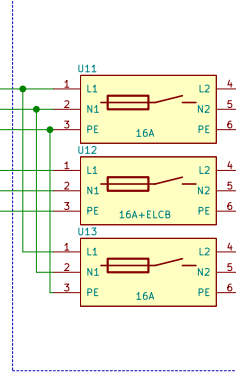


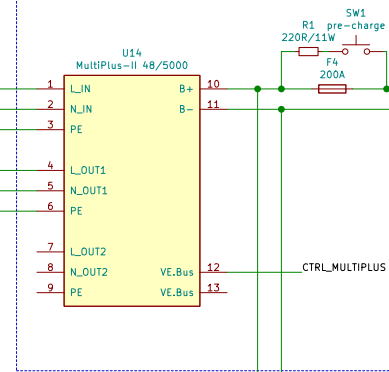
Main fuse box (Dutch: meterkast)



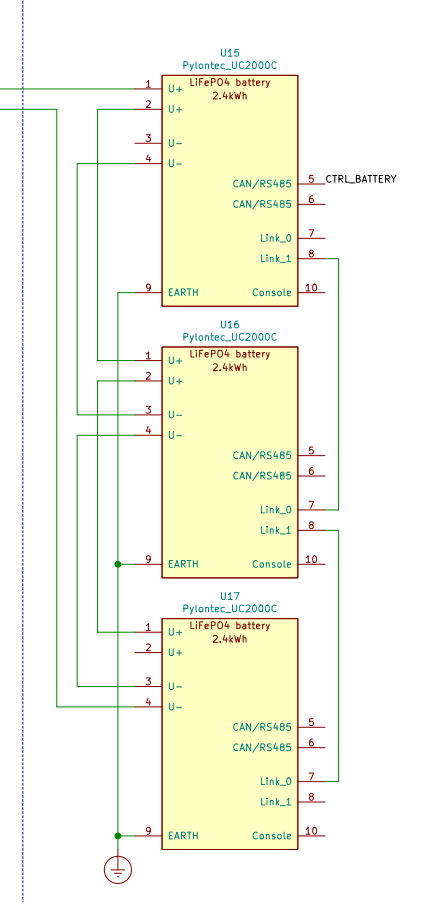
Secondary fuse box



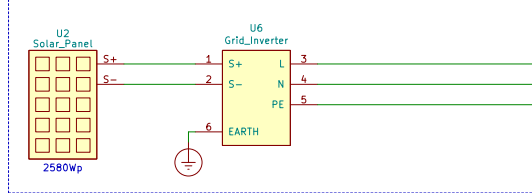
Battery charger/Inverter



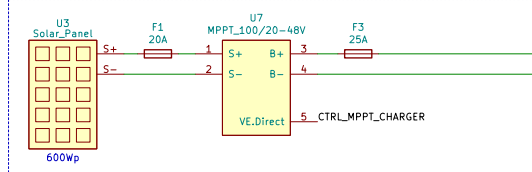
Battery bank



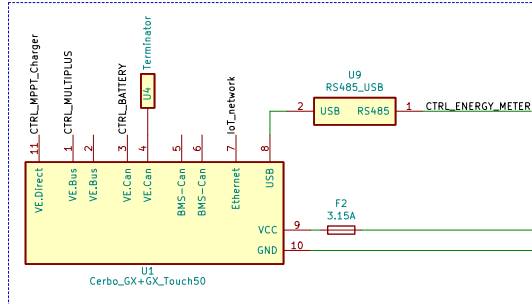
Grid tied solar array



Battery tied solar array



Controller



Specifications drawn system:

- 7.2kWh storage capacity
- 3180Wp solar capacity
- 3680W inverter capacity

Multiple configurations are possible:

MultiPlus-II 48/5000/70 (3680W max):
3x UC2000C or 2x UC3000C

MultiPlus-II 48/3000/35:
2x UC2000C

MultiPlus-II 48/1200/13:
1x UC2000C or 1xUC3000C

This is the minimum amount of batteries per inverter.
If needed, more batteries can be used.

<https://www.meezenest.nl/mees>
 M. Konstapel
Mees Electronics
 Sheet: /
 File: solar-home-storage.sch
Title: Solar home storage system
 Size: A3 | Date: 2022-09-09 | Rev: 1
 KiCad E.D.A. | kicad 5.1.8-5.1.8 | Id: 1/1

