

LinkSwitch[®]-LP

Flyback Design Guide

Application Note AN-39



Introduction

The *LinkSwitch-LP* family is designed to replace inefficient line frequency linear transformer based power supplies with output powers < 2.5 W in applications such as cell/cordless phones, PDAs, digital cameras, and portable audio players. *LinkSwitch-LP* may also be used as auxiliary supplies employed in applications such as white goods.

LinkSwitch-LP combines a high voltage power MOSFET switch with an ON/OFF controller in one device. It is completely self-powered from the DRAIN pin, has a jittered switching frequency for low EMI and is fully fault protected. Auto-restart limits device and circuit dissipation during overload and output short circuit conditions while hysteretic over-temperature protection disables the internal MOSFET during thermal faults. *EcoSmart*[®] technology enables designs to easily attain < 150 mW no-load consumption, meeting worldwide energy efficiency requirements.

LinkSwitch-LP is designed to operate without the need for a primary-side clamp circuit for output powers below 2.5 W and

thus, dramatically reduces component count and total system cost. Figure 1 shows a *LinkSwitch-LP* based 2 W power supply without a primary-side clamp. The *LinkSwitch-LP* family has been optimized to give an approximate CV/CC output characteristic when feedback is provided from an auxiliary or bias winding on the transformer. This is ideal for applications replacing a line frequency transformer, providing a compatible output characteristic but with reduced overload, short circuit current and variation with input line voltage.

Scope

This application note is for engineers designing an isolated AC-DC flyback power supply using the *LinkSwitch-LP* family of devices. It provides guidelines to enable an engineer to quickly select key components and complete a transformer design for an application requiring either a constant voltage (CV) or constant voltage and constant current (CV/CC) output. To simplify the task of transformer design, this application note refers directly to the *PI Xls* design spreadsheet that is part of the *PI Expert*[™] design software suite.

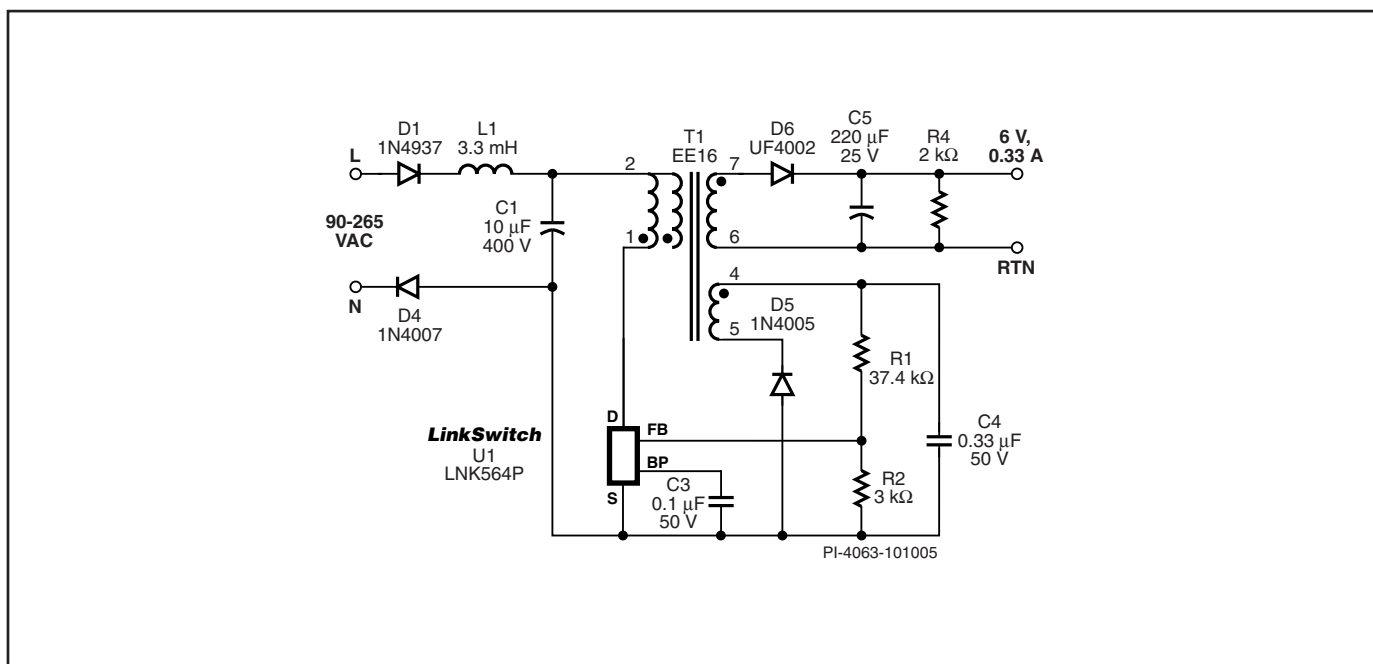


Figure 1. Basic Circuit Schematic Using LinkSwitch-LP in a Clampless[™] Design.

Quick Start

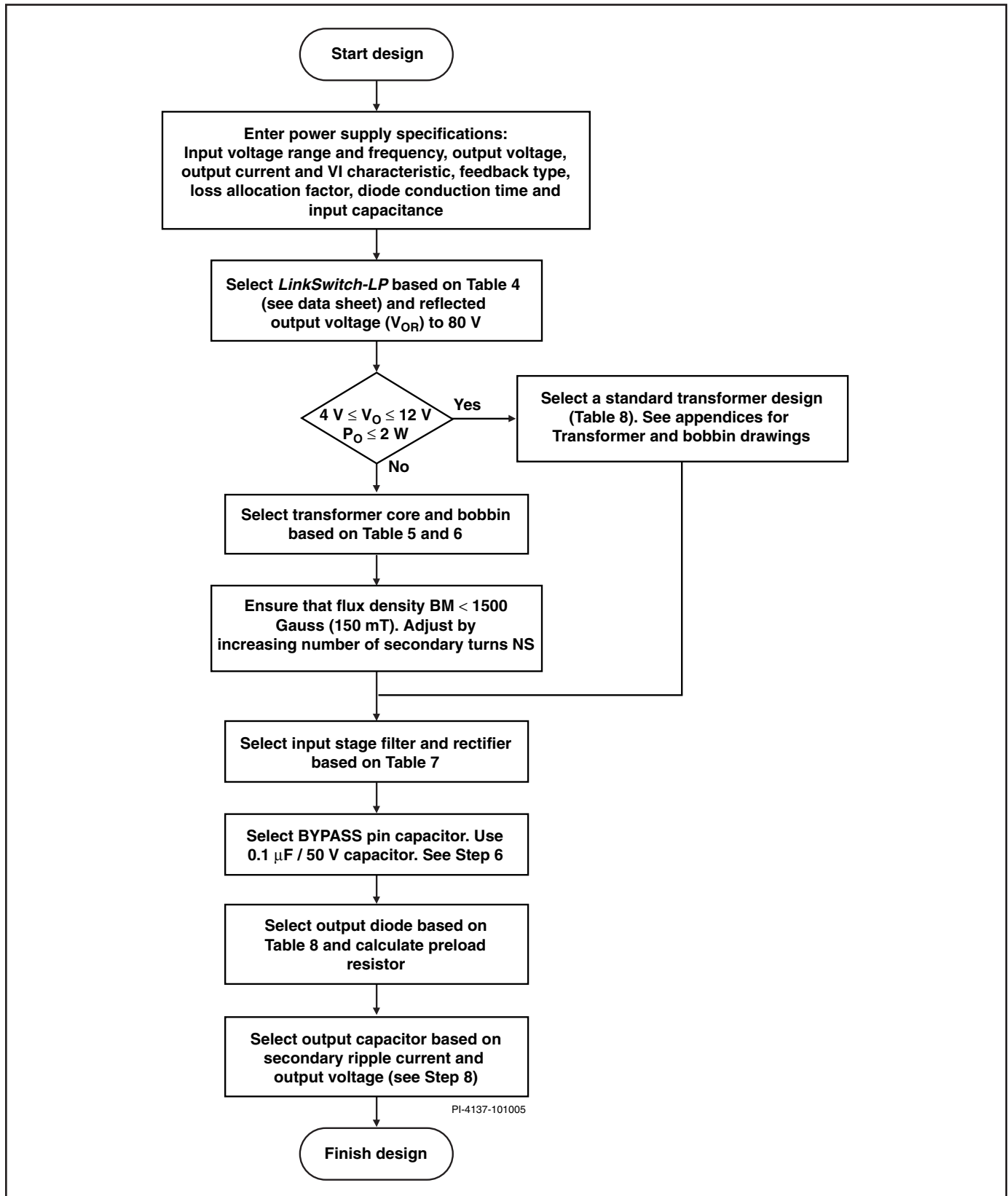


Figure 2. LinkSwitch-LP Flyback Design Flowchart.

Step-by-Step Design procedure

Step 1 – Enter Application Variables: V_{AC_MIN} , V_{AC_MAX} , f_L , V_O , I_O , CV/CC spec, P_O , Clamp and Feedback type, η , Z , t_c and C_{IN} .

Determine the input voltage range (V_{AC_MIN} and V_{AC_MAX}) from Table 1.

Nominal Input Voltage	V_{AC_MIN}	V_{AC_MAX}
100/115	85	132
230	195	265
Universal	85	265

Table 1. Standard Worldwide, Input Line Voltage Ranges.

Line Frequency, f_L

Enter the worst-case line frequency under which the supply should operate normally.

Output Voltage, V_O

Enter the output voltage. For loose CV/CC designs, this should be the typical output voltage at the nominal peak power point in the output characteristic. For CV only outputs this should be the specified output voltage. For designs with an output cable enter the voltages at the load. For multiple output designs enter the voltage for the main output from which feedback is taken.

Output Current, I_O

For loose CV/CC designs, this should be the typical output current at the nominal peak power point in the output characteristic. For CV only outputs, this should be the maximum specified output current. In multiple output designs, the output current of the main output (typically the output from which feedback is taken) should be increased such that P_O matches the sum of the output powers from all the outputs in the design. The individual output voltages and currents should then be entered at the bottom of the spreadsheet.

Figure 3 shows a diagram with correct values of I_O and V_O to enter in the spreadsheet for both Optocoupler based feedback and Bias Winding Feedback.

CV/CC Output Specification

If the output specification is loose constant voltage and constant current (charger) CV/CC type enter 'YES' in cell B8, otherwise enter 'NO' for Constant voltage (adapter) CV only. For CV/CC designs, the typical value of I^2f is used in the computation of primary inductance, while for CV only designs, the minimum value of I^2f is used to guarantee power delivery.

A CV/CC characteristic can be achieved by using either one of the arrangements shown in Figures 1 or 4. Figure 1 shows a low cost primary side control scheme for both the CV and

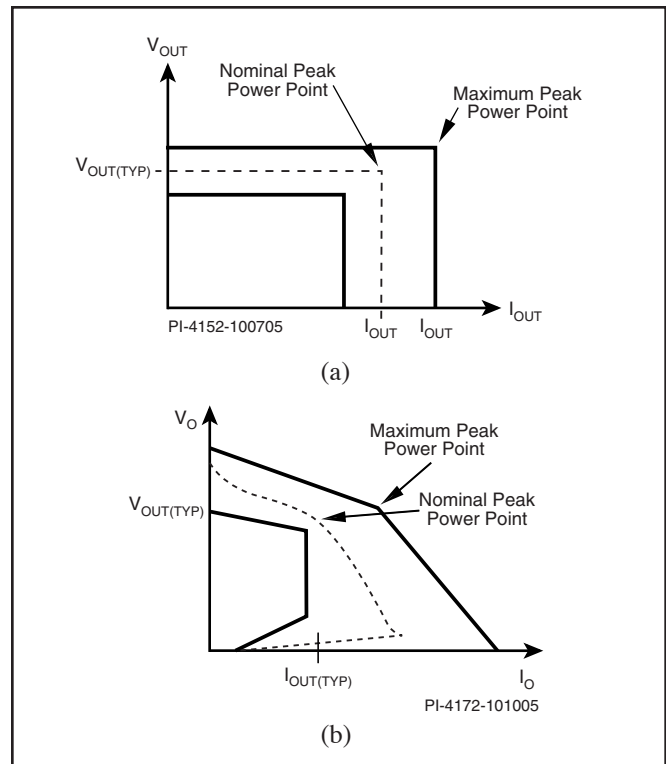


Figure 3. Diagram Showing Correct Values of I_O and V_O to enter in the spreadsheet for (a) Optocoupler Feedback and (b) Bias Winding Feedback

CC portions of the spec. This arrangement uses bias winding feedback to regulate the output. During normal operation switching cycles are enabled or disabled to maintain the voltage at the FEEDBACK pin. This, via the turns ratio between the bias and secondary windings regulates the output. However as the secondary output voltage is not directly sensed, errors caused by leakage inductance and resistive drops result in only moderate load regulation (however still better than an unregulated line frequency linear transformer based supply). Once the maximum power point is reached (determined by the primary inductance, current limit and switching frequency) the voltage on the bias winding begins to fall and the switching frequency of *LinkSwitch-LP* is reduced to limit the maximum output current as an output overload increases toward a short circuit.

For improved performance, Figure 4 shows an arrangement using an optocoupler and high gain voltage reference IC (U2) to regulate the output voltage. Once the maximum power point is reached and the output voltage falls, the output current is controlled via the bias winding, sensed via R_X and R_Y (Figure 4). As shown in Table 3 the high gain of the system gives an output voltage with minimal variation during CV operation and good linearity, maintaining an almost vertical CC characteristic. As the output is being sensed indirectly via the bias winding during CC operation, the CC characteristic is still

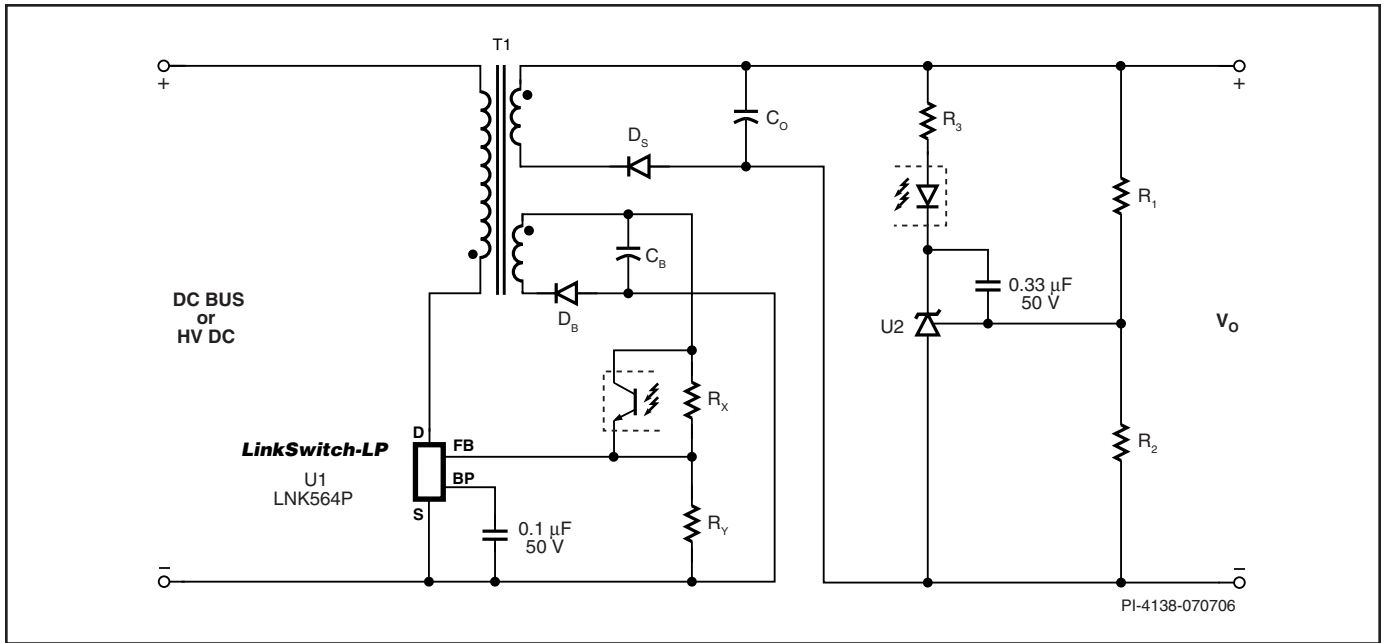


Figure 4. Circuit Schematic for High Performance CV/CC Output Characteristic.

subject to unit-to-unit variation caused by the difference in the transformer (bias to secondary coupling and leakage inductance. Also see Enter Feedback, Bias Type and Clamp Information section). Note that the reference IC U2 may be replaced by a lower cost zener diode in applications where increased tolerance is acceptable during CV operation.

Finally for improved CC performance a secondary CC sense circuit can be used. This removes variation in the CC due to the transformer and FEEDBACK pin.

Power Supply Efficiency, η

Enter the estimated power supply efficiency measured at the point of load. For both CV/CC and CV only designs use 0.65 if no better data is available or until measurements can be made on a prototype.

Power Supply Loss Allocation Factor, Z

This factor represents the proportion of losses between the primary and the secondary of the power supply.

$$Z = \frac{\text{Secondary Side Losses}}{\text{Total Losses}}$$

If no better data is available then the following values are recommended:

- Bias winding feedback designs (CV or CV/CC): 0.5 (0.35)
- Optocoupler CV feedback and/or bias winding CC feedback: 0.5 (0.35)
- Optocoupler CV and CC feedback: 0.75 (0.6)

For designs using *Filterfuse*TM use the values in parenthesis, these take into account the additional primary side losses due to a typical value of $\sim 50 \Omega$ for the resistance of the *Filterfuse* inductor

Bridge Diode Conduction Time, t_c (ms)

Enter the bridge diode conduction time. Use 3 ms if no other data is available.

Total Input Capacitance C_{IN} (μF)

Enter total input capacitance using Table 2 for guidance.

AC Input Voltage (VAC)	Total Input Capacitance per Watt of Output Power ($\mu\text{F}/\text{W}$)	
	Half Wave Rectification	Full Wave Rectification
100/115	5-8	3-4
230	1-2	1
85-265	5-8	3-4

Table 2. Suggested Total Input Capacitance for Different Input Voltage Ranges.

The capacitance should be selected to keep the minimum DC input voltage, $V_{MIN} > 50 \text{ V}$ and ideally $> 70 \text{ V}$.

Note: For designs that have a DC rather than an AC input, the value of the minimum and maximum DC input voltages, V_{MIN} and V_{MAX} , may be entered directly into the gray override cells on the design spreadsheet (see Figure 5).



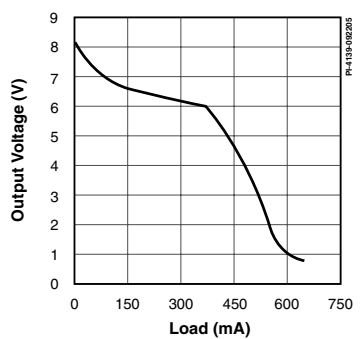
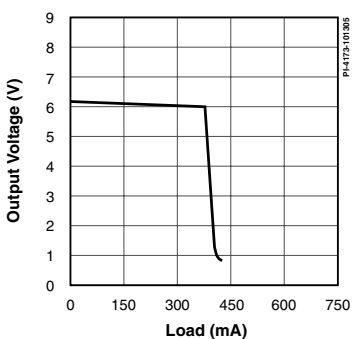
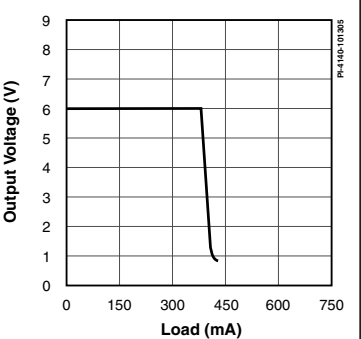
	Bias Winding Feedback (Figure 1)	Optocoupler with Zener as Reference (Figure 4, U2 Replaced with Zener)	Optocoupler with TL-431 as Reference (Figure 4)
Typical Output Characteristics			
Cost	Low	Higher	Highest
Component count	Lowest component count	Higher component count	Highest component count
Ease of Design	High	Medium	Medium
CV/CC Tolerance	Good	Better	Best

Table 3. Summary of Comparison Between Bias Winding Feedback and Optocoupler Feedback.

Enter Feedback, Bias Type and Clamp Information

Select either bias winding feedback (primary-side feedback) as shown in Figure 1 or optocoupler feedback (secondary-side feedback) as shown in Figure 4. Bias winding feedback makes use of a primary-side auxiliary winding to set the output voltage. Optocoupler feedback directly senses the output voltage and can provide any level of accuracy depending on the voltage reference selected. Both primary-side feedback and secondary-side feedback allow for a CV/CC output characteristic. See Table 3 for a summary of feedback types.

If optocoupler feedback is selected, the user still has the option to reduce overall power consumption by using a bias winding to power the optocoupler transistor. That bias winding can also be configured as a shield, for improved EMI performance.

Clampless™ designs typically exhibit a resonance between the leakage inductance and primary capacitance, that is normally damped by the primary clamp. As there is less damping in a Clampless design this creates a peak in the conducted EMI measurements in 1-4 MHz range. It is generally the EMI

ENTER APPLICATION VARIABLES				Customer
VACMIN	85		Volts	Minimum AC Input Voltage
VACMAX	265		Volts	Maximum AC Input Voltage
fL	50		Hertz	AC Mains Frequency
VO	6.00		Volts	Output Voltage (main) measured at the end of output cable (For CV/CC designs enter typical CV tolerance limit)
IO	0.33		Amps	Power Supply Output Current (For CV/CC designs enter typical CC tolerance limit)
Constant Voltage / Constant Current Output	YES		CVCC	Volts
Output Cable Resistance	0.16		0.16	Ohms
PO			2.00	Watts
Feedback Type	BIAS		Bias Winding	Enter 'BIAS' for Bias winding feedback and 'OPTO' for Optocoupler feedback
Add Bias Winding	YES		Yes	Enter 'YES' to add a Bias winding. Enter 'NO' to continue design without a Bias winding. Addition of Bias winding can lower no load consumption
Clampless design	YES		Clampless	Enter 'YES' for a clampless design. Enter 'NO' if an external clamp circuit is used.
n			0.64	Efficiency Estimate at output terminals. For CV only designs enter 0.7 if no better data available
Z	0.35		0.35	Loss Allocation Factor (Secondary side losses / Total losses)
tC	2.90		mSeconds	Bridge Rectifier Conduction Time Estimate
CIN	9.40		uFarads	Input Capacitance
Input Rectification Type	F		F	Choose H for Half Wave Rectifier and F for Full Wave Rectification
DC INPUT VOLTAGE PARAMETERS				
VMIN			99	Volts
VMAX			375	Volts

Figure 5. Application Variable Section of LinkSwitch-LP Design Spreadsheet.



performance and not the peak drain voltage that limits the use of *Clampless* designs to < 2 W. However if a bias winding is added which uses a slow diode (1N400x series) that peak in EMI is reduced as the bias acts as a clamp, damping out the leakage inductance ringing. This extends the power range for *Clampless* designs to ≤ 2.5 W. In addition, the use of a small Y-Capacitor (100 pF) can be beneficial in containing this problem and making the EMI performance less variable.

For designs greater than 2.5 W, a *Clampless* solution is not recommended.

The guidance above applies to universal input or 230 VAC only designs. For 100/110 VAC only input designs it may be possible to use *Clampless* designs above 2 - 2.5 W but only after verifying acceptable peak drain voltage and EMI performance.

All the variables described above can be entered in the Enter Application Variables section of the *LinkSwitch-LP* design spreadsheet in the *PI Xls* design software (see Figure 5).

Step 2 – Enter *LinkSwitch-LP*, V_{OR} , V_{DS} , V_D

Select the appropriate *LinkSwitch-LP* based on the input voltage range and the corresponding maximum output power (see Table 4 & 5).

Device	Maximum Power (W)	
	Universal Input	230 VAC
LNK562	1.9	1.9
LNK563	2.5	2.5
LNK564	3	3

Table 4. Maximum Output Power Capability of *LinkSwitch-LP* Devices.

Power delivery from a given device also depends on the transformer core size selected. Table 5 provides examples of the output power possible from each device and 3 common core sizes. These power numbers assume a flux density of 1500 Gauss, and can be increased for higher flux densities, based on acceptable audible noise.

Reflected Output Voltage, V_{OR} (V)

This parameter is the secondary winding voltage reflected back to the primary through the turns ratio of the transformer (during the off time of the *LinkSwitch-LP*). The default value is 80 V, however this can be increased up to 120 V to achieve the maximum power capability from the selected *LinkSwitch-LP* device. In general, start with the default value of 80 V, increasing the value when necessary to maintain K_p above its lower limit of 0.9 at the minimum input voltage of 85 VAC. For *Clampless* designs, there is less flexibility in selecting the value of V_{OR} . Increasing V_{OR} directly increases the peak drain voltage. Therefore for *Clampless* designs, a value of 80 V should be used and only increased once the peak drain voltage has been measured and adequate margin to BV_{DSS} determined.

***LinkSwitch-LP* On-State DRAIN-to-SOURCE Voltage, V_{DS} (V)**

This parameter is the average on-state voltage developed across the DRAIN and SOURCE pins of *LinkSwitch-LP*. By default, if the gray override cell is left empty, a value of 10 V is assumed. Use the default value if no better data is available.

Output Diode Forward Voltage Drop, V_D (V)

Enter the average forward voltage drop of the (main) output diode. Use 0.5 V for a Schottky diode or 1 V for a PN diode if no better data is available. By default, a value of 0.5 V is assumed.

Calculated Ripple to Peak Current Ratio, K_p

K_p is a measure of the operating mode and primary current waveshape of the design. $K_p < 1$ indicates a continuous design (the lower the K_p , the more continuous the design) and a $K_p > 1$ indicates a discontinuous design (the higher the K_p , the more discontinuous the design).

Below a value of 1, indicating continuous conduction mode, K_p is the ratio of ripple to peak primary current (K_{RP}). Above a value of 1, indicating discontinuous conduction mode, K_p is the ratio of primary MOSFET off time to the secondary diode conduction time (K_{DP}). The value of K_p should be in the range of $0.9 < K_p < 6$ and guidance is given in the comments cell if the value is outside this range.

ENTER <i>LinkSwitch-LP</i> VARIABLES				
LinkSwitch-LP	LNK564			LinkSwitch-LP device
Chosen Device		LNK564		
ILIMITMIN			0.124 Amps	Minimum Current Limit
ILIMITMAX			0.146 Amps	Maximum Current Limit
fSmin			93000 Hertz	Minimum Device Switching Frequency
I ² MIN			1665 A ² Hz	I ² F Minimum value (product of current limit squared and frequency is trimmed for tighter tolerance)
I ² TYP			1850 A ² Hz	I ² F typical value (product of current limit squared and frequency is trimmed for tighter tolerance)
VOR			80 Volts	Reflected Output Voltage
VDS			10 Volts	LinkSwitch-LP on-state Drain to Source Voltage
VD			0.5 Volts	Output Winding Diode Forward Voltage Drop
KP			1.53	Ripple to Peak Current Ratio (0.9<KRP<1.0 : 1.0<KDP<6.0)

Figure 6. *LinkSwitch-LP* Variables Section of *LinkSwitch-LP* Design Spreadsheet.



Variables referenced in Step two are found in the Enter *LinkSwitch-LP* Variables section of the spreadsheet (see Figure 6).

Step 3 – Choose Core and Bobbin Based on Output Power and Enter A_e , L_c , A_L , B_w , M , L , N_s

Core Effective Cross-Sectional Area, A_e (cm²), Core Effective Path Length, L_c (cm), Core Ungapped Effective Inductance, A_L (nH/Turn²), Bobbin Width, B_w (mm).

By default, if the Core Type cell is left empty, the spreadsheet will select the EE16 core. The user can change this selection and choose an alternate core from a list of commonly available cores (shown in Table 6). Table 5 provides guidance on the power capability of specific core sizes.

Core Size	Output Power Capability (W)		
	LNK562	LNK563	LNK564
EE13	1.1	1.4	1.7
EE16	1.3	1.7	2
EE19	1.95	2.55	3

Table 5. Typical Output Power Capability of *LinkSwitch-LP* Devices vs. Core Sizes (1500 Gauss/150 mT).

Transformer Core	
EE8	EE1616
EP10	EF16
EE10	EE19
EF12.6	EF20
EE13	EF25
EE16	

Table 6. List of Cores Provided in *LinkSwitch-LP* Spreadsheet.

ENTER TRANSFORMER CORE/CONSTRUCTION VARIABLES			
Core Type		EE16	
Core		EE16	P/N:
Bobbin		EE16_BOBBIN	P/N:
AE		0.192	cm ²
LE		3.5	cm
AL		1140	nH/T ²
BW		8.6	mm
M		0	mm
L		2	
NS		12	
NB		37	
VB		19.77	Volts
R1		32.95	k-ohms
R2		3.00	k-ohms
Recommended Bias Diode		1N4003	
			Suggested smallest commonly available core
			PC40EE16-Z
			EE16_BOBBIN
			Core Effective Cross Sectional Area
			Core Effective Path Length
			Ungapped Core Effective Inductance
			Bobbin Physical Winding Width
			Safety Margin Width (Half the Primary to Secondary Creepage Distance)
			Number of primary layers
			Number of Secondary Turns
			Number of Bias winding turns
			Bias Winding Voltage
			Resistor divider component between bias winding and FB pin of <i>LinkSwitch-LP</i>
			Resistor divider component between FB pin of <i>LinkSwitch-LP</i> and primary RTN
			Place this diode on the return leg of the bias winding for optimal EMI. See <i>LinkSwitch-LP</i> Design guide for more information

Figure 7. Transformer Core and Construction Variables Section of *LinkSwitch-LP* Spreadsheet.

The gray override cells can be used to enter the core and bobbin parameters directly. This is useful if a core is selected that is not on the list or the specific core or bobbin information differs from that recalled by the spreadsheet.

Safety Margin, M (mm)

For designs that require isolation but are not using triple insulated wire for the secondary winding, the width of the safety margin to be used on each side of the bobbin should be entered here. Typically, for universal input designs, a total margin of 6.2 mm would be required. Therefore a value of 3.1 mm would be entered into the spreadsheet. For vertical bobbins, the margin may not be symmetrical.

As the margin reduces the available area for the windings, margin construction may not be suitable for small core sizes. If after entering the margin, more than 4 primary layers (L) are required, it is suggested that either a larger core be selected or switch to a zero margin design using triple-insulated wire for the secondary winding.

Primary Layers, L

By default, if the override cell is empty, a value of 2 is assumed. Primary layers should be in the range of $1 < L < 4$ and in general, it should be the lowest number that meets the primary current density limit (CMA) of 150 Cmil per amp. Values above 4 layers are possible, but the increased leakage inductance and physical fit of the windings should be considered.

For *Clampless* designs, 2 primary layers must be used. This is to ensure sufficient primary capacitance to limit the peak drain voltage below the BV_{DSS} rating of the MOSFET internal to the *LinkSwitch-LP*.

Secondary Turns, N_s

By default, if the gray override cell is left blank, the minimum number of secondary turns is calculated such that the maximum operating flux density, B_M , is kept below the recommended maximum. In general, it is not necessary to enter a number in the override cell except in designs where a higher operating flux density is acceptable (see Minimizing Audible Noise section for an explanation of B_M limits).



Calculated Bias Winding Turns and Voltage N_B, V_B

When a bias winding is used, the number of turns and voltage developed by the winding are displayed. The relatively large default number of turns allows the bias to be used as a shield winding for reduced EMI.

The variables described in Step 3 are found in the Enter Transformer Core/Construction Variables section of the spreadsheet (see Figure 7).

Step 4 – Iterate Transformer Design and Generate Transformer Design Output

Iterate the design, making sure that no warnings are displayed. Any parameters outside the recommended range of values can be corrected by following the guidance given in the right hand column.

Once all warnings have been cleared, the transformer design parameters can be used to either wind a prototype transformer or send to a vendor for samples.

The key transformer electrical parameters are:

Primary Inductance, L_p (μH)

This is the target nominal primary inductance of the transformer. For designs that use bias winding feedback, there is no current sense resistor, and the value of primary inductance (L_p) determines the onset of the constant current (CC) portion of the CV/CC characteristic.

Primary Inductance Tolerance, $L_{P_TOLERANCE}$ (%)

This is the assumed primary inductance tolerance. A value of $\pm 10\%$ is used by default, however if specific information is known from the transformer vendor, then this may be overridden by entering a new value in the gray override cell. For designs that use bias winding feedback, the $L_{P_TOLERANCE}$ determines a large part of the total CC tolerance of the output characteristic.

Maximum Operating Flux Density, B_M (Gauss)

It is recommended that this value be below 1500 Gauss (150 mT) during normal operation. Flux densities above

1500 Gauss (150 mT) may produce audible noise from the transformer and for such designs the acceptability should be verified. To minimize audible noise all transformers should be dip varnished. Vacuum impregnation is not recommended due to the resultant increase in winding capacitance. Flux densities above 3000 Gauss (300 mT) are not recommended.

Other transformer parameters calculated in the spreadsheet are:

- N_p - Primary Winding Number of Turns
- A_{LG} (nH/T²) - Gapped Core Effective Inductance
- B_{AC} (Gauss) - AC Flux Density for Core Loss Curves (0.5 × Peak-to-Peak)
- μ_r - Relative Permeability of Ungapped Core
- L_G (mm) - Gap Length ($L_G > 0.1$ mm).
- B_{WE} (mm) - Effective Bobbin Width (accounts for margin tape, if used)
- O_D (mm) - Maximum Primary Wire Diameter (including insulation)
- INS (mm) - Estimated Total Insulation Thickness (= 2 × film thickness)
- DIA (mm) - Bare Conductor Diameter
- AWG - Primary Wire Gauge (rounded to next smaller standard AWG value)
- CM (Cmils) - Bare conductor effective area in circular mils
- CMA (Cmils/Amp) - Primary Winding Current Capacity (150 < CMA < 500)

Variables described in Step 4 can be found under the “Transformer Primary Design Parameters” section of the spreadsheet (see Figure 8).

Step 5 – Selection of Input Stage

The input stage comprises a fusible element(s), input rectification and line filter network. The fusible element can be either a fusible resistor, a fuse or make use of Power Integration’s *Filterfuse* technique. Here, the input inductor may also be used as a fuse, typically requiring the addition of a heatshrink shroud to prevent incandescent material being ejected during a fault. By using *Filterfuse*, the input stage can be simplified in

TRANSFORMER PRIMARY DESIGN PARAMETERS				
LP		2857	uHenries	Typical Primary Inductance. +/- 10%
LP_TOLERANCE		10	%	Primary inductance tolerance
NP		148		Primary Winding Number of Turns
ALG		131	nH/T*2	Gapped Core Effective Inductance
BM		1471	Gauss	Maximum Operating Flux Density, BM<1500 is recommended
BAC		581	Gauss	AC Flux Density for Core Loss Curves (0.5 X Peak to Peak)
ur		1654		Relative Permeability of Ungapped Core
LG		0.16	mm	Gap Length (Lg > 0.1 mm)
BWE		17.2	mm	Effective Bobbin Width
OD		0.12	mm	Maximum Primary Wire Diameter including insulation
INS		0.03	mm	Estimated Total Insulation Thickness (= 2 * film thickness)
DIA		0.09	mm	Bare conductor diameter
AWG		40	AWG	Primary Wire Gauge (Rounded to next smaller standard AWG value)
CM		10	Cmils	Bare conductor effective area in circular mils
CMA		197	Cmils/Amp	Primary Winding Current Capacity (150 < CMA < 500)

Figure 8. Transformer Primary Design Parameters Section of LinkSwitch-LP Spreadsheet.



P_{OUT}	$\leq 1\text{ W}$	$\leq 3\text{ W}$		
Suggested 85-265 VAC Input Stage				
Component Selection Guide	RF1: 8.2 Ω, 1 W Fusible RF2: 100 Ω, 0.5 W, Flameproof $C_{IN1}, C_{IN2} \geq 3.3\ \mu\text{F}$, 400 V each D_{IN1}, D_{IN2} : 1N4007, 1 A, 1000 V	RF1: 8.2 Ω, 1 W Fusible L_{IN} : 470 μH-2.2 mH, (0.05 A-0.3 A) $C_{IN1}, C_{IN2} \geq 4\ \mu\text{F}/W_{OUT}$, 400 V each D_{IN1}, D_{IN2} : 1N4007, 1 A, 1000 V	$L1^*$: 3.3 μH, 0.06 A Filterfuse® $C1$: $\geq 5\ \mu\text{F}/W_{OUT}$, 400 V D_{IN1} : 1N4937, 600 V D_{IN2} : 1N4007, 1000 V	RF1: 8.2 Ω, 1 W Fusible L_{IN} : 470 μH-2.2 mH, (0.05 A-0.3 A) $C_{IN1}, C_{IN2} \geq 2\ \mu\text{F}/W_{OUT}$, 400 V each $D_{IN1}-D_{IN4}$: 1N4007, 1 A, 1000 V
Comments	**Increase value to meet required differential line	**Increase value to meet required differential line	*Check for safety agencies approval **Increase value to meet required differential line surge performance	**Increase value to meet required differential line surge

Table 7. Input Filter Recommendation Based on Total Output Power.

saving the cost of a fusible resistor, but requires a larger single input capacitor. However, please verify with a safety engineer or agency if *Filterfuse* is acceptable.

If a fusible resistor is selected, it should be a flameproof type and, depending on the differential line input surge requirements, a wire-wound type may be required. Care should be taken in using metal or carbon film types as these can fail simply due to the inrush current when AC is connected to the supply.

Designs using a Y capacitor require the EMI filter impedance to be placed on the appropriate side of the input. Therefore when the Y capacitor is returned to the DC rail, the fusible resistor(s)/*Filterfuse* should be placed on the opposite side of the input.

For designs $\leq 1\text{ W}$, it is generally lower cost to use half-wave rectification; and $> 1\text{ W}$, full-wave rectification. However if *Filterfuse* is used, even above 1 W, half-wave rectification may lower cost and should be selected accordingly.

The EMI performance of half-wave rectified designs is improved by adding a second diode in the lower return rail. This provides EMI gating (EMI currents only flow when the diode is conducting) and also doubles the differential surge-withstand as the surge voltage is shared across two diodes. Table 7 shows the recommended input stage based on output

power for a universal input design while Table 2 shows how to adjust the input capacitance for other input voltage ranges.

Step 6 – Selection of Feedback components and BYPASS Pin Capacitor

LinkSwitch-LP requires a standard $0.1\ \mu\text{F}/50\text{ V}$ capacitor across the BYPASS and SOURCE pins. This can be a 20% tolerance Z5U multi-layer ceramic capacitor.

The feedback components include the bias winding diode, capacitor and resistor divider network, which set the output voltage. The bias winding diode plays a significant role in the output regulation and this component should be a standard recovery diode like the 1N4007. The standard value for the bias capacitor is $0.33\ \mu\text{F}/50\text{ V}$. A higher value capacitor may also be used for lower no-load consumption.

Resistors R1 and R2 in Figure 1 form a resistor divider network and this sets the output voltage such that the FEEDBACK pin voltage is maintained at 1.69 V. The initial value for these resistors is estimated by the spreadsheet, but these values are also dependent on the leakage inductance and any mismatch in the forward voltage drop across the diodes (standard, ultra-fast or Schottky) used in the bias and output windings. Adjust these resistors based on empirical testing.

Series Number	Type	VR Range	I _F	Package	Manufacturer
		V	A		
1N5817 to 1N5819	Schottky	20-40	1	Leaded	Vishay
SB120 to SB1100	Schottky	20-100	1	Leaded	Vishay
11DQ50 to 11DQ60	Schottky	50-60	1	Leaded	IR
1N5820 to 1N5822	Schottky	20-40	3	Leaded	Vishay
MBR320 to MBR360	Schottky	20-60	3	Leaded	IR
SS12 to SS16	Schottky	20-60	1	SMD	Vishay
SS32 to SS36	Schottky	20-60	3	SMD	Vishay
UF4002 to UF4006	Ultrafast	100-600	1	Leaded	Vishay
UF5401 to UF5408	Ultrafast	100-800	3	Leaded	Vishay
ES1A to ES1D	Ultrafast	50-200	1	SMD	Vishay
ES2A to ES2D	Ultrafast	50-200	2	SMD	Vishay

Table 8. List of Recommended Diodes That May Be Used With LinkSwitch-LP Designs.

TRANSFORMER SECONDARY DESIGN PARAMETERS (MULTIPLE OUTPUTS)				
1st output				
VO1			6 Volts	Main Output Voltage (if unused, defaults to single output design)
IO1			0.333 Amps	Output DC Current
PO1			2.00 Watts	Output Power
VD1			0.5 Volts	Output Diode Forward Voltage Drop
NS1			12.00	Output Winding Number of Turns
ISRMS1			0.668 Amps	Output Winding RMS Current
IRIPPLE1			0.58 Amps	Output Capacitor RMS Ripple Current
PIVS1			36 Volts	Output Rectifier Maximum Peak Inverse Voltage
Recommended Diodes			SB150, UF4001	Recommended Diodes for this output
Pre-Load Resistor			2 k-Ohms	Recommended value of pre-load resistor
CMS1			134 Cmil	Output Winding Bare Conductor minimum circular mils
AWGS1			28 AWG	Wire Gauge (Rounded up to next larger standard AWG value)
DIAS1			0.32 mm	Minimum Bare Conductor Diameter
ODS1			0.72 mm	Maximum Outside Diameter for Triple Insulated Wire

Figure 9. Secondary Design Parameters. Includes a Recommended Diode Part.

Step 7 – Selection of Output Diode and pre-load resistor

$V_R \geq 1.25 \times PIVS$, where PIVS is taken from the Voltage Stress Parameters section of the spreadsheet and Transformer Secondary Design Parameters.

$I_D \geq 2 \times I_O$, where I_D the diode rated DC current and I_O is the output current.

Additionally, Table 8 lists some of the suitable Schottky and ultra-fast diodes that may be use with *LinkSwitch-LP* circuits. Priority should be given to lower reverse recovery times (t_{RR}) while selecting the output diodes. The *LinkSwitch-LP* spreadsheet also recommends a diode based on the above guidelines (see Figure 9).

Select the pre-load resistor such that it will sink ~1-3 mA at the specified voltage. Note that a pre-load resistor also increases the

no-load losses so this value can be adjusted to trade-off lower no-load input power with high no-load output voltage.

Step 8 – Selection of Output Capacitors

Ripple Current Specification at Maximum Capacitor Operating Temperature

This should be $\geq I_{RIPPLE}$ value from the design spreadsheet (from the Transformer Secondary Parameters section or, in multiple output designs, the Transformer Secondary Design Parameters (Multiple Outputs) section). Many capacitor manufacturers provide factors that increase the ripple current rating as the capacitor operating temperature is reduced from its data sheet maximum. This should be considered to ensure that the capacitor is not oversized for cost reasons.

ESR Specification

Use a low ESR electrolytic capacitor. Output switching ripple is a function of the ESR of the capacitor and is given by



ISP×ESR. ISP is the secondary peak current, which is calculated in the Transformer Secondary Design Parameters section of the spreadsheet.

Tips for *Clampless* designs

The mechanical construction of the transformer will play a crucial role in *Clampless* designs. Care should be taken to reduce the leakage inductance and increase the intra-winding capacitance of the primary winding. Intra-winding capacitance is defined as the capacitance measured from one end of a winding to the other end while all other windings are open. This is best achieved by using a 2-layer primary winding. It is common to use a layer of tape between 2 primary layers. This should be avoided for *Clampless* designs, as this tends to reduce intra-winding capacitance. For designs that do not use a bias winding for damping the leakage ringing, there is no restriction on strictly using a 2-layer primary winding. However, for *Clampless* designs that do not use a bias winding, a 2-layer primary winding must be used.

Even with the increased winding capacitance, no-load power of < 150 mW is easily possible with *LinkSwitch-LP*.

For typical *Clampless* designs, the leakage inductance is below 90 μ H and the intra-winding capacitance is at least 30 pF.

Minimizing Audible Noise

The cycle skipping mode of operation used in *LinkSwitch-LP* can generate audio frequency components in the transformer. To limit this audible noise generation, the transformer should be designed such that the peak core flux density B_M is below 1500 Gauss (150 mT). Following this guideline and using the standard transformer production technique of dip varnishing practically eliminates audible noise. Higher flux densities are possible, however careful evaluation of the audible noise performance should be made using production transformer samples before approving the design.

Ceramic capacitors that use dielectrics such as Z5U, when used in clamp circuits, may also generate audio noise. If this is the case, try replacing them with a capacitor having a different dielectric, for example a polyester film type.

Standard Transformer Designs

The *LinkSwitch-LP* family members have the same primary current limit but different switching frequencies, which result in different, output power capabilities. This allows additional flexibility in design by allowing the same transformer design to be used for different output powers and output voltages.

To illustrate this, Appendix A provides two reference designs that in many cases may eliminate the need to design a transformer. These two reference designs include Power Integrations' *E-Shield* windings to minimize EMI.

Table 9 lists a series of output voltages and current, which can be used to select the correct *LinkSwitch-LP* device, reference transformer design and feedback resistor values (assuming bias winding feedback).

The table also lists, for information, the effective V_{OR} . As the output voltage is reduced from the nominal design the V_{OR} reduces and conversely increases as the output voltage is increased. It is this that limits the effective output voltage range that one transformer can cover without either excessive peak drain voltage or the design entering continuous conduction mode ($KP < 1$) with its associated increase in EMI.

Note: The standard transformer designs assume that a bias winding is used. Therefore to implement a *Clampless* design the bias winding must be used with slow diode (D5) as shown in Figure 10.

Example Designs Using Standard Transformers

Figure 1 shows an example design for a cell phone charger power supply. It is a universal input power supply with 6 V output at a constant maximum current of 330 mA. The circuit uses no Y capacitor, no primary side clamp and relies on a slow diode used in the bias winding for damping the leakage spike. The transformer uses a standard EE16 core and uses *E-Shields* to meet the CISPR-22 EMI limits. Detailed transformer drawings are shown in Appendix A and these can be used as a building block for others. For slightly different output voltages (see Table 9), the resistor divider in the bias winding may be adjusted. For power below 2 W, either a smaller *LinkSwitch-LP* part may be used or the primary inductance may be adjusted by changing the length of the air gap.

Figure 10 shows another example design for a cell phone charger power supply which is also a universal input voltage range supply with an output voltage of 9 V at a maximum constant current of 220 mA. This is also a *Clampless* design, which relies on the bias diode to damp out the leakage spike during turn off. Use of *E-Shields* allows the design to pass the CISPR-22 EMI limits with 10 dB of margin, without the use of a Y capacitor. Detailed drawings for this transformer are shown in Appendix A.

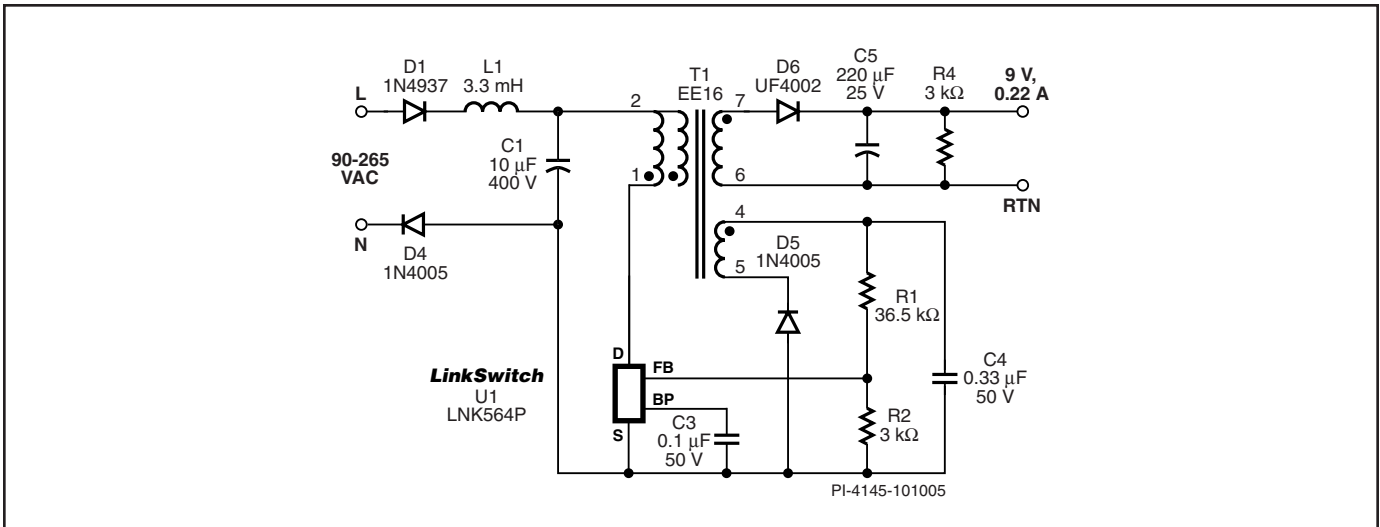


Figure 10. 9 V, 220 mA Design Using the Standard Transformer Design Described in Appendix B.

These two transformers have been optimized for EMI performance and the rest of the circuit can be adjusted to meet most specifications, which can be addressed by the *LinkSwitch-LP* family's power range. The parameters to be adjusted are the *LinkSwitch-LP* device to adjust the output power and the resistors R1 and R2 to adjust the output voltage. Note that the device will provide an approximate constant current after the point of maximum power is reached.

Table 9 lists the transformer, reflected output voltage and the bias winding resistor divider values for specific combinations of output voltages and currents. Note that layout changes tend to affect the EMI performance and this should be verified before finalizing any design.

V_o (V)	I_o (A)	P_o (W)	LNK-LP	Transformer	V_{OR} (V)	R1 (k Ω)	R2 (k Ω)
4	0.325	1.3	LNK562	A	63.45	24.61	3
4	0.425	1.7	LNK563	A	63.45	24.61	3
4	0.5	2	LNK564	A	63.45	24.61	3
5	0.26	1.3	LNK562	A	76.95	30.75	3
5	0.34	1.7	LNK563	A	76.95	30.75	3
5	0.4	2	LNK564	A	76.95	30.75	3
6	0.21	1.3	LNK562	A	90.45	36.88	3
6	0.28	1.7	LNK563	A	90.45	36.88	3
6	0.33	2	LNK564	A	90.45	36.88	3
7	0.18	1.3	LNK562	A	103.95	43.02	3
7	0.24	1.7	LNK563	A	103.95	43.02	3
7	0.28	2	LNK564	A	103.95	43.02	3
7.5	0.17	1.3	LNK562	A	110.7	46.09	3
7.5	0.22	1.7	LNK563	A	110.7	46.09	3
7.5	0.26	2	LNK564	A	110.7	46.09	3
8	0.16	1.3	LNK562	B	78.3	31.12	3
8	0.21	1.7	LNK563	B	78.3	31.12	3
8	0.25	2	LNK564	B	78.3	31.12	3
9	0.14	1.3	LNK562	B	87.3	35.86	3
9	0.18	1.7	LNK563	B	87.3	35.86	3
9	0.22	2	LNK564	B	87.3	35.86	3
10	0.13	1.3	LNK562	B	96.3	40.77	3
10	0.17	1.7	LNK563	B	96.3	40.77	3
10	0.2	2	LNK564	B	96.3	40.77	3
11	0.11	1.3	LNK562	B	105.3	44.86	3
11	0.5	1.7	LNK563	B	105.3	44.86	3
11	0.18	2	LNK564	B	105.3	44.86	3
12	0.1	1.3	LNK562	B	114.3	48.95	3
12	0.14	1.7	LNK563	B	114.3	48.95	3
12	0.16	2	LNK564	B	114.3	48.95	3

Table 9. List of Output Voltage and Current That can be Addressed With Standard Transformers and the Associated Change in LinkSwitch-LP Device and Feedback Resistors.

APPENDIX – A

Reference **LinkSwitch-LP** Standard Transformer Designs

Transformer A

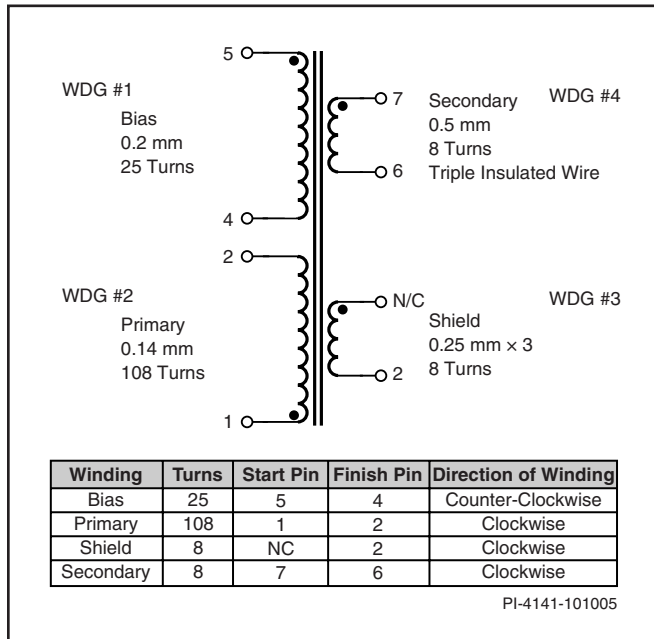
Transformer A was optimized for the following specifications:

Input Voltage Range – Universal

Output Voltage – 6V

Output Current – 330 mA

The Transformer assumes a bias winding; hence there is no restriction on using a 2-layer primary winding.



Electrical Strength	60 Hz 1 min., from Pins 1-2 to Pins 4-5	1000 VAC
Primary Inductance (Pin 1 to Pin 2)	All windings open	2.7 mH ± 5% at 100 kHz
Resonant Frequency	All windings open	300 kHz (min)
Primary Leakage Inductance	Pins 7-6 shorted	70 μH (max)

Table 10. Electrical Specifications of Transformer A.

Figure 11. Electrical Diagram of Transformer A.

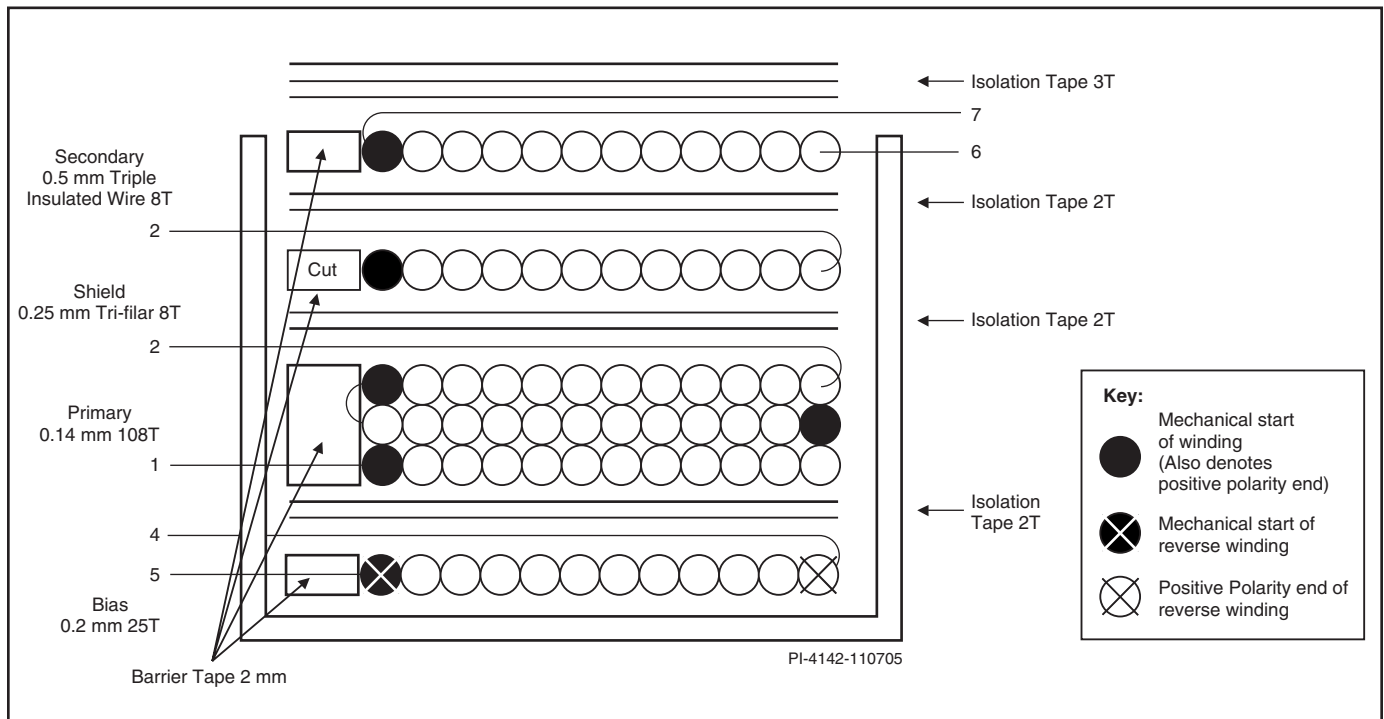


Figure 12. Mechanical Winding Build Diagram for Transformer A.

APPENDIX - B

Transformer B

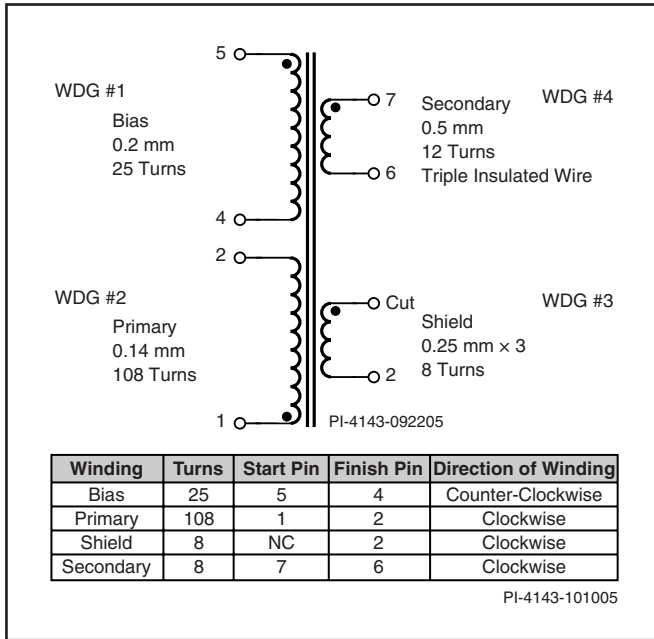
Transformer B was optimized for the following specifications:

Input Voltage Range – Universal

Output Voltage – 9 V

Output Current – 220 mA

The Transformer assumes a bias winding; hence there is no restriction on using a 2-layer primary winding.



Electrical Strength	60 Hz 1 min., from Pins 1-2 to Pins 4-5	1000 VAC
Primary Inductance (Pin 1 to Pin 2)	All windings open	2.7 mH ± 5% at 100 kHz
Resonant Frequency	All windings open	300 kHz (min)
Primary Leakage Inductance	Pins 7-6 shorted	70 μH (max)

Table 11. Electrical Specifications of Transformer B.

Figure 13. Electrical Diagram of Transformer B.

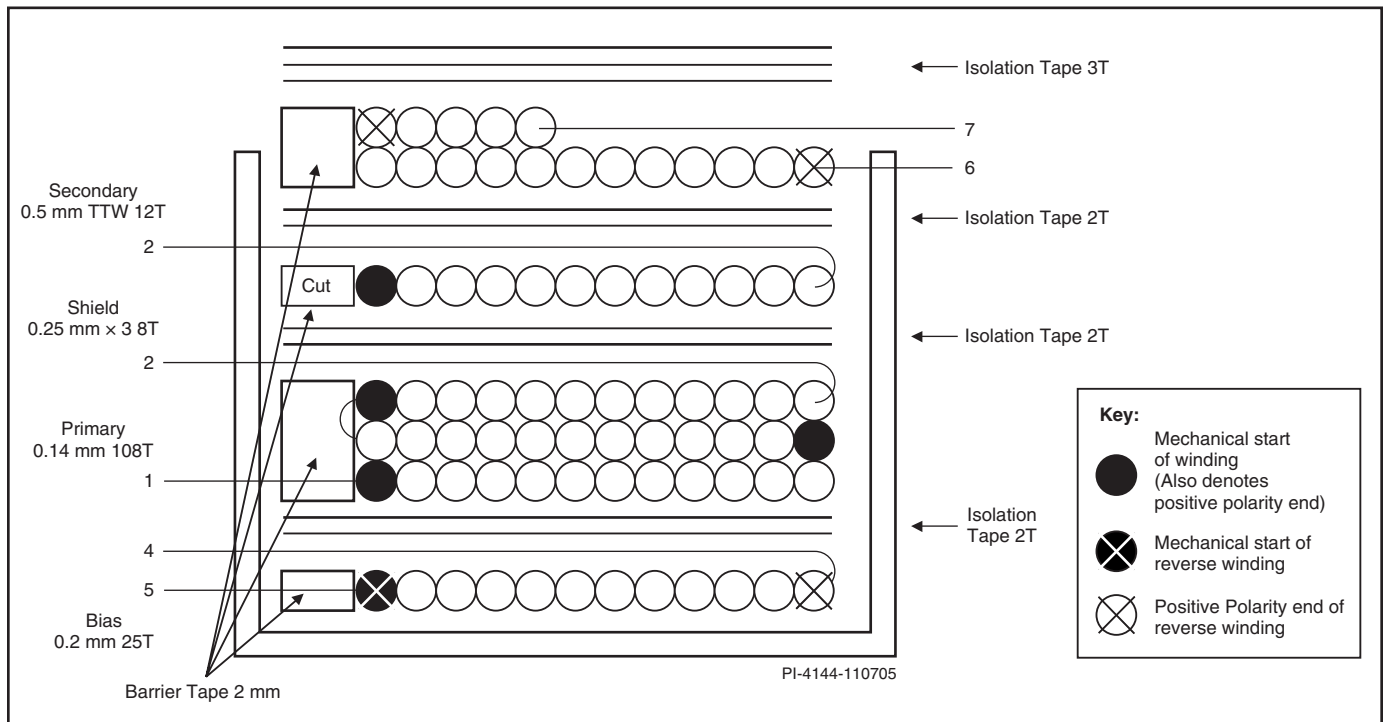


Figure 14. Mechanical Winding Build Diagram for Transformer B.

Bobbin Drawing

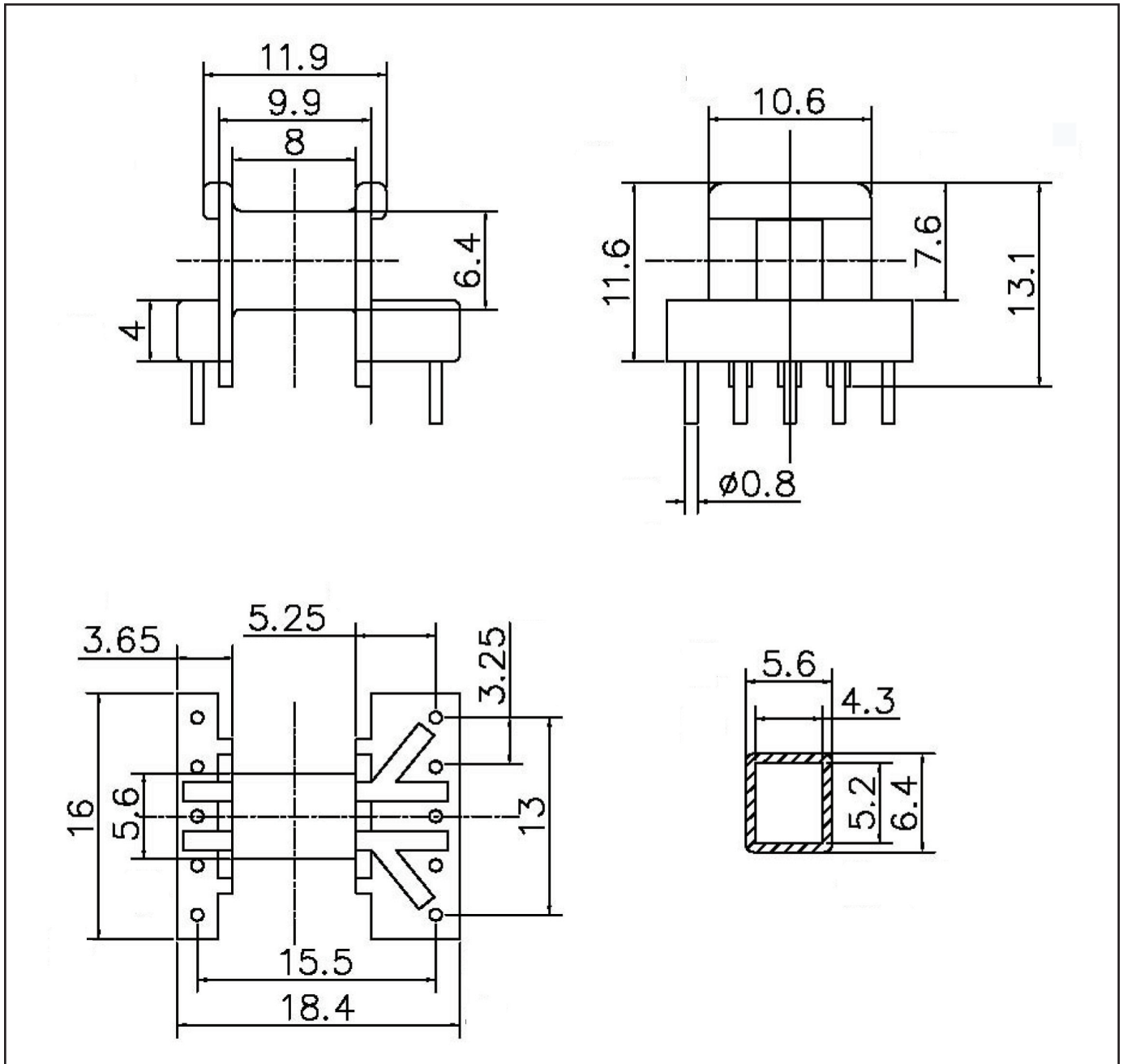


Figure 15. Bobbin Drawing for all the Transformers Used in Table 9. Uses a 5+5 Pin EE16 Bobbin With Extended Creepage to Allow Safety Compliance

Notes

Notes



Notes

Revision	Notes	Date
A	-	10/05
B	Update Figure 4.	7/06

For the latest updates, visit our website: www.powerint.com

Power Integrations reserves the right to make changes to its products at any time to improve reliability or manufacturability. Power Integrations does not assume any liability arising from the use of any device or circuit described herein. POWER INTEGRATIONS MAKES NO WARRANTY HEREIN AND SPECIFICALLY DISCLAIMS ALL WARRANTIES INCLUDING, WITHOUT LIMITATION, THE IMPLIED WARRANTIES OF MERCHANTABILITY, FITNESS FOR A PARTICULAR PURPOSE, AND NON-INFRINGEMENT OF THIRD PARTY RIGHTS.

PATENT INFORMATION

The products and applications illustrated herein (including transformer construction and circuits external to the products) may be covered by one or more U.S. and foreign patents, or potentially by pending U.S. and foreign patent applications assigned to Power Integrations. A complete list of Power Integrations' patents may be found at www.powerint.com. Power Integrations grants its customers a license under certain patent rights as set forth at <http://www.powerint.com/ip.htm>.

LIFE SUPPORT POLICY

POWER INTEGRATIONS' PRODUCTS ARE NOT AUTHORIZED FOR USE AS CRITICAL COMPONENTS IN LIFE SUPPORT DEVICES OR SYSTEMS WITHOUT THE EXPRESS WRITTEN APPROVAL OF THE PRESIDENT OF POWER INTEGRATIONS. As used herein:

1. A Life support device or system is one which, (i) is intended for surgical implant into the body, or (ii) supports or sustains life, and (iii) whose failure to perform, when properly used in accordance with instructions for use, can be reasonably expected to result in significant injury or death to the user.
2. A critical component is any component of a life support device or system whose failure to perform can be reasonably expected to cause the failure of the life support device or system, or to affect its safety or effectiveness.

The PI logo, **TOPSwitch**, **TinySwitch**, **LinkSwitch**, **DPA-Switch**, **PeakSwitch**, **Clampless**, **EcoSmart**, **E-Shield**, **Filterfuse**, **StackFET**, **PI Expert** and **PI FACTS** are trademarks of Power Integrations, Inc. Other trademarks are property of their respective companies. ©Copyright 2006, Power Integrations, Inc.

Power Integrations Worldwide Sales Support Locations

WORLD HEADQUARTERS

5245 Hellyer Avenue
San Jose, CA 95138, USA.
Main: +1-408-414-9200
Customer Service:
Phone: +1-408-414-9665
Fax: +1-408-414-9765
e-mail: usasales@powerint.com

GERMANY

Rueckertstrasse 3
D-80336, Munich
Germany
Phone: +49-89-5527-3910
Fax: +49-89-5527-3920
e-mail: eurossales@powerint.com

JAPAN

Keihin Tatemono 1st Bldg 2-12-20
Shin-Yokohama, Kohoku-ku,
Yokohama-shi, Kanagawa ken,
Japan 222-0033
Phone: +81-45-471-1021
Fax: +81-45-471-3717
e-mail: japansales@powerint.com

TAIWAN

5F, No. 318, Nei Hu Rd., Sec. 1
Nei Hu Dist.
Taipei, Taiwan 114, R.O.C.
Phone: +886-2-2659-4570
Fax: +886-2-2659-4550
e-mail: taiwansales@powerint.com

CHINA (SHANGHAI)

Rm 807-808A
Pacheer Commercial Centre,
555 Nanjing Rd. West
Shanghai, P.R.C. 200041
Phone: +86-21-6215-5548
Fax: +86-21-6215-2468
e-mail: chinasales@powerint.com

INDIA

#1, 14th Main Road
Vasanthanagar
Bangalore-560052 India
Phone: +91-80-41138020
Fax: +91-80-41138023
e-mail: indiasales@powerint.com

KOREA

RM 602, 6FL
Korea City Air Terminal B/D, 159-6
Samsung-Dong, Kangnam-Gu,
Seoul, 135-728, Korea
Phone: +82-2-2016-6610
Fax: +82-2-2016-6630
e-mail: koreasales@powerint.com

UNITED KINGDOM

1st Floor, St. James's House
East Street, Farnham
Surrey GU9 7TJ
United Kingdom
Phone: +44 (0) 1252-730-140
Fax: +44 (0) 1252-727-689
e-mail: eurossales@powerint.com

CHINA (SHENZHEN)

Rm 2206-2207, Block A,
Electronics Science & Technology Bldg.
2070 Shennan Zhong Rd.
Shenzhen, Guangdong,
China, 518031
Phone: +86-755-8379-3243
Fax: +86-755-8379-5828
e-mail: chinasales@powerint.com

ITALY

Via De Amicis 2
20091 Bresso MI – Italy
Phone: +39-028-928-6000
Fax: +39-028-928-6009
e-mail: eurossales@powerint.com

SINGAPORE

51 Newton Road
#15-08/10 Goldhill Plaza
Singapore, 308900
Phone: +65-6358-2160
Fax: +65-6358-2015
e-mail: singaporesales@powerint.com

APPLICATIONS HOTLINE

World Wide +1-408-414-9660

APPLICATIONS FAX

World Wide +1-408-414-9760

