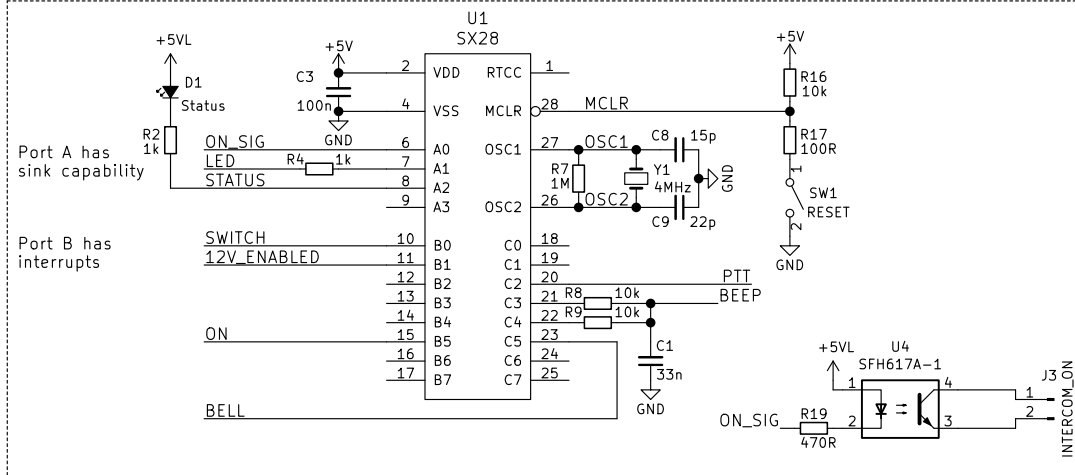
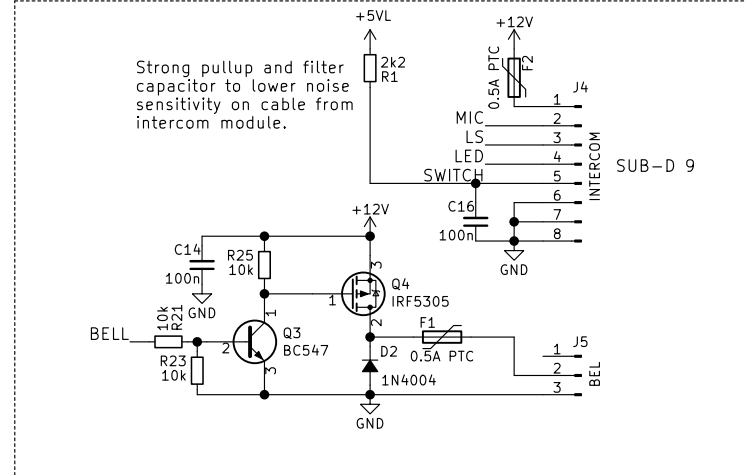


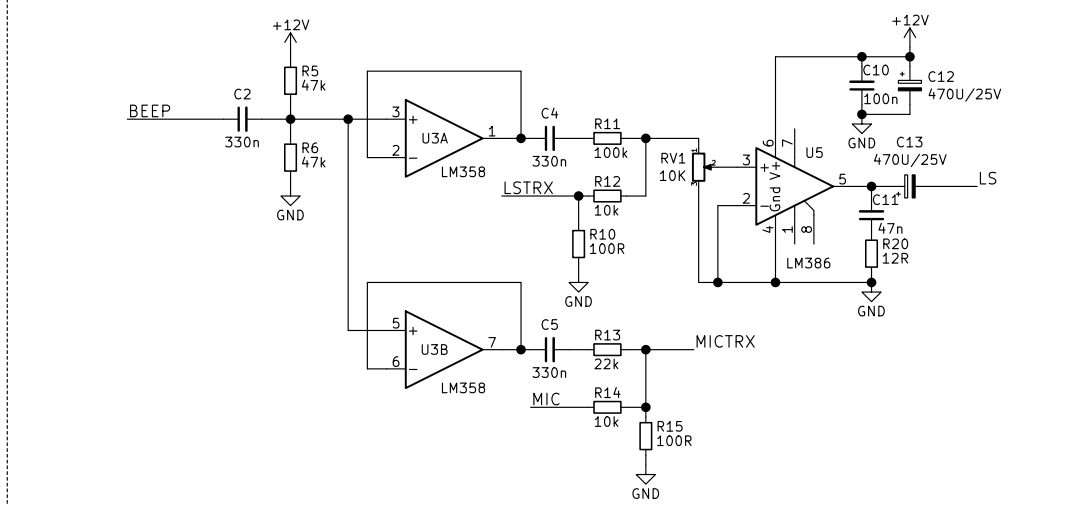
Controller



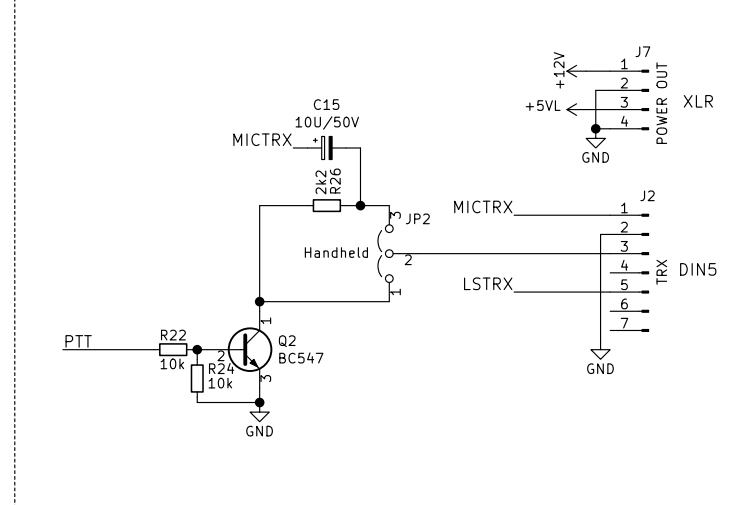
Intercom interface



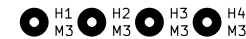
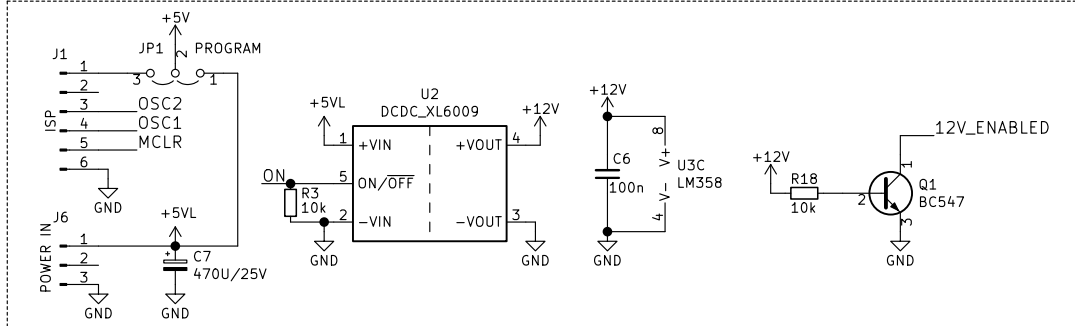
Signal conditioning



PMR446 interface



Power supply



M. Konstapel  
meezenest.nl/mees

**Mees Electronics**

Sheet: /  
File: intercom.sch

**Title: 446MHz intercom interface**

Size: A4 Date: 2021-02-22

KiCad E.D.A. kicad 5.1.2-5.1.2

- Changes from Rev2.0:  
 - Added pullup R1  
 - Added pulldown R3  
 - Added C7  
 - Added C16



**Rev: 2.1**

Id: 1/1