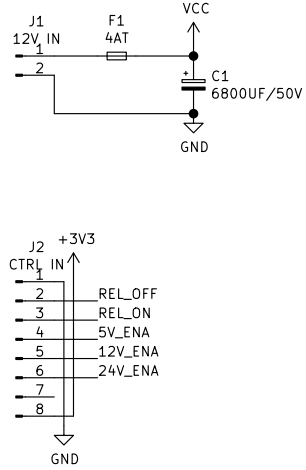
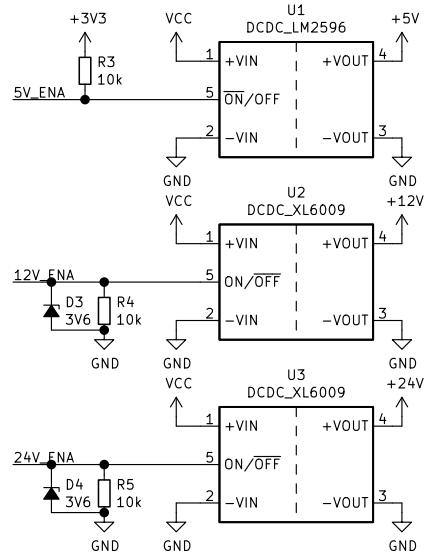


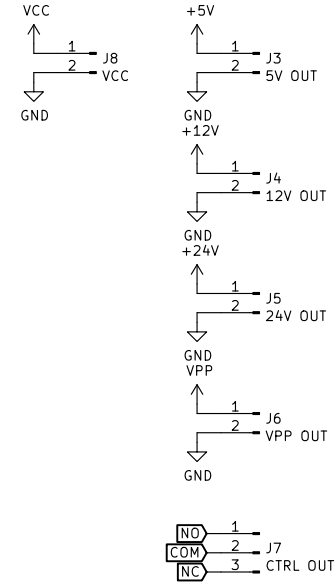
Inputs



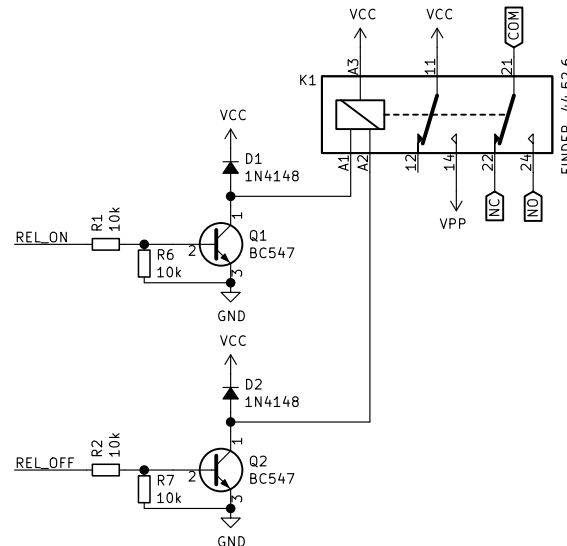
DC/DC converters



Outputs



Relay control



- H1 MountingHole
- H2 MountingHole
- H3 MountingHole
- H4 MountingHole

meezenest.nl/mees

M.T. Konstapel

Sheet: /
File: power-distribution-box.sch

Title: Power distribution box

Size: A4 Date: 2022-04-28

KiCad E.D.A. kicad 5.1.8-5.1.8

Rev: 1

Id: 1/1

