

PARTS LIST
=====

코드 : 700-0217 MODEL : FUNCTION GENERATOR (MXG-9810) P/L구분 : 可 REVISION DATE : 1999. 05. 08. (No. : 05TH)

계	별	품목코드	품 목 명	규	격	단위	Q'TY	PART - NO	업	제	명	비고
01	-----	317-0101	PCB ASS'Y	MXG9810	(PCB ASS'Y)	SET	1					
02	-----	317-0201	FRONT PCB ASS'Y	MXG9810	(FRONT PCB ASS'Y)	SET	1					
03	-----	317-0301	FRONT PCB CHIP MOUNT	MXG9810	(FRONT PCB CHIP MOUNT)	SET	1					
04	---	037-0168	CHIP R.	MCR 10J	EZH 2012 10Ω	EA	7	R4,R6,R8,R10,R12,R14,R16				
04	---	037-0169	CHIP R.	MCR 10J	EZH 2012 51Ω	EA	9	R2,R3,R5,R7,R9,R11,R13,R15,R18				
04	---	035-0218	P.C.B.	MXG(F)	FR4 D/S (194×40×1.6t)	EA	1				라미전자	
04	---	037-0170	CHIP R.	MCR 10J	EZH 2012 100Ω	EA	2	R19,R20				
04	---	037-0135	CHIP R.	MCR 10J	EZH 2012 10 kΩ	EA	5	R21~R25				
04	---	008-0101	CHIP CERAMIC CAP.	GMC21xY5V104Z50N1M	(104p/50V)	EA	5	C1~C5				
03	-----	317-0302	FRONT PCB INSET	MXG9810	(FRONT PCB INSERT)	SET	1					
04	---	012-0612	WAFER	YW025-13		EA	2					
04	---	045-0501	TACT SWITCH	KPT-1105T		EA	5	SW1~SW5				
04	---	028-0304	LED DISPLAY	KLS-106NT1		EA	1	FD1				
Q2	-----	317-0202	F.G. MAIN PCB ASS'Y	MXG9810	(F.G. MAIN PCB ASS'Y)	SET	1					
03	-----	317-0303	F.G. MAIN PCB CHIP MOUNT	MXG9810	(F.G. MAIN PCB CHIP MOUNT)	SET	1					
04	---	037-0168	CHIP R.	MCR 10J	EZH 2012 10Ω	EA	6	R19,R20,R48,R57,RA41,RA62				
04	---	037-0170	CHIP R.	MCR 10J	EZH 2012 100Ω	EA	4	R35,R42,R129,RA73				
04	---	037-0110	CHIP R.	MCR 10J	EZH 2012 220Ω	EA	4	R79,R81,R84,R506				
04	---	037-0174	CHIP R.	MCR 10J	EZH 2012 510Ω	EA	1	R58				
04	---	037-0184	CHIP R.	MCR 10J	EZH 2012 2.2KΩ	EA	1	R127				
04	---	037-0126	CHIP R.	MCR 10J	EZH 2012 3.3 kΩ	EA	2	R128,R521				
04	---	037-0285	CHIP R.	MCR 18J	EZH 2012 4.7K	EA	2	R83,R86				
04	---	037-0135	CHIP R.	MCR 10J	EZH 2012 10 kΩ	EA	5	R4,R5,R45,R60,R80				
04	---	037-0281	CHIP R.	MCR 18J	EZH 2012 15K	EA	1	R7				
04	---	037-0200	CHIP R.	MCR 10J	EZH 2012 47K	EA	8	R22A,R88A,R25~R27,R32,R33,R23				
04	---	037-0150	CHIP R.	MCR 10J	EZH 2012 100 kΩ	EA	11	R12~R18,R28,R29,R24,R54				
04	---	008-0104	CHIP CERAMIC CAP.	GMC21x7R103K50N1F	(103p/50V)	EA	6	C18,C33,C44,CA32,CA22,CA23				
04	---	037-0178	CHIP R.	MCR 10J	EZH 2012 1.5KΩ	EA	3	R44,R82,R90				
04	---	037-0177	CHIP R.	MCR 10J	EZH 2012 1KΩ	EA	5	R49,R50,R53,R56,RA104				
04	---	037-0169	CHIP R.	MCR 10J	EZH 2012 51Ω	EA	6	RA22,RA23,RA26,RA28,RA29,RA32				
04	---	037-0199	CHIP R.	MCR 10J	EZH 2012 150Ω	EA	1	RA56				
04	---	008-0101	CHIP CERAMIC CAP.	GMC21xY5V104Z50N1M	(104p/50V)	EA	42					
04	---	016-0109	SWITCHING DIODE	KDS160		EA	4	CR1~CR4				
04	---	037-0105	CHIP R.	MCR 10J	EZH 2012 22Ω	EA	3	R71,RA42,RA46				
04	---	037-0106	CHIP R.	MCR 10J	EZH 2012 47Ω	EA	7	R72,R76,R100,R507,R87,R509,RA87				
04	---	037-0112	CHIP R.	MCR 10J	EZH 2012 270Ω	EA	4	R73~R75,R77				
04	---	037-01A6	CHIP R.	MCR 10J	EZH 2012 6.8kΩ	EA	1	RA24				
04	---	037-0120	CHIP R.	MCR 10F	EZH 2012 2.7kΩ	EA	1	R21				
04	---	037-0122	CHIP R.	MCR 10F	EZH 2012 150kΩ	EA	1	R513				
04	---	037-0123	CHIP R.	MCR 10F	EZH 2012 750Ω	EA	2	R31,R47				
04	---	037-0128	CHIP R.	MCR 10F	EZH 2012 680Ω	EA	2	R67,R524				

PARTS LIST
=====

코드 : 700-0217 MODEL : FUNCTION GENERATOR (MXG-9810) P/L구분 : 可 REVISION DATE : 1999. 05. 08. (No. : 05TH)

레벨	품목코드	품목명	규격	단위	Q'TY	PART - NO	업체명	비고
04---	037-0130	CHIP R.	MCR 10F EZH 2012 1kΩ	EA	2	R61,R63		
04---	037-0132	CHIP R.	MCR 10F EZH 2012 2.2kΩ	EA	2	R64,R65		
04---	037-0134	CHIP R.	MCR 10F EZH 2012 4.7kΩ	EA	2	R68,R69		
04---	037-0145	CHIP R.	MCR 10F EZH 2012 11kΩ	EA	1	R505		
04---	037-0151	CHIP R.	MCR 10F EZH 2012 220Ω	EA	1	R62		
04---	037-0152	CHIP R.	MCR 10F EZH 2012 1.8kΩ	EA	1	R88		
04---	037-0153	CHIP R.	MCR 10F EZH 2012 1.5kΩ	EA	1	R55		
04---	037-0155	CHIP R.	MCR 10F EZH 2012 100Ω	EA	1	R43		
04---	026-1001	I.C.	NJM324M	EA	4	U1,U4,U6,U10		
04---	008-0125	CHIP CERAMIC CAP.	GMC21COG471K50N1(470pF/50V)	EA	3	CA19,CA20,CA111		
04---	035-0219	P.C.B.	MXG9810(FGM) FR4 D/S (195×138)	EA	1		라미전자	
04---	037-0121	CHIP R.	MCR 10F EZH 2012 7.5kΩ	EA	1	R517		
04---	037-0146	CHIP R.	MCR 10F EZH 2012 330Ω	EA	1	R52		
04---	037-0129	CHIP R.	MCR 10F EZH 2012 2kΩ	EA	1	R46		
04---	037-0133	CHIP R.	MCR 10J EZH 2012 7.5 kΩ	EA	1	R66		
04---	037-0148	CHIP R.	MCR 10F EZH 2012 75kΩ	EA	1	R34		
04---	037-01A4	CHIP R.	MCR 10J EZH 2012 75kΩ	EA	1	R511		
04---	037-0176	CHIP R.	MCR 10J EZH 2012 680Ω	EA	2	R37,R512		
04---	008-0118	CHIP CERAMIC CAP.	GM21COG010C50N1F(1pF/50V)	EA	1	CA115		
04---	026-1507	I.C.	2904(SMD)	EA	1	U14		
04---	037-01D4	CHIP R	MCR 10F EZH 2012 300kΩ	EA	1	R9		
04---	037-01B5	CHIP R.	MCR 10J EZH 2012 270kΩ	EA	1	R10		
04---	037-01J0	CHIP R.	MCR 10F EZH 2012 12kΩ	EA	2	R501,R502		
04---	037-0197	CHIP R.	MCR 10J EZH 2012 2kΩ	EA	1	R59		
04---	008-0107	CHIP CERAMIC CAP.	GMC21COG101D50N1F(100P/50V)	EA	3	C16,C69,C100		
04---	037-0173	CHIP R.	MCR 10J EZH 2012 470Ω	EA	3	RA90		
04---	037-0131	CHIP R.	MCR 10J EZH 2012 5.6 kΩ	EA	1	R70		
04---	008-0190	CHIP CERAMIC CAP.	GMC21COG224Z50N1(220nF/50V)	EA	1	C15		
04---	037-01M2	CHIP R.	MCR 10F EZH 2012 3.3K	EA	2	R39,R41		
04---	037-01R7	CHIP R.	MCR 10J EZH 2012 5.1kΩ	EA	3	R1~R3		
04---	037-01B6	CHIP R.	MCR 10F EZH 2012 10K	EA	2	R38,R40		
04---	037-01R6	CHIP R	MCR 10F 2012 EZH 1.2kΩ	EA	2	R503,R504		
04---	037-01B8	CHIP R.	MCR 10J EZH 2012 330Ω	EA	1	R78		
04---	037-01C9	CHIP R.	MCR 10J EZH 2012 68Ω	EA	1	R516		
04---	037-0194	CHIP R.	MCR 10J EZH 2012 15Ω	EA	1	RA75		
04---	037-1305	V.R(SMD)	2kΩ	EA	2	RV19,RV20		
04---	008-0117	CHIP CERAMIC CAP.	472	EA	1	CA110		
04---	037-1216	V.R.	631HF01 5k / BM065 5K	EA	2	RV21,RV22		
04---	037-01D0	CHIP R.	MCR 10J EZH 2012 150kΩ	EA	1	R30		
03-----	317-0304	F.G. MAIN INSERT	MXG9810(F.G. MAIN INSERT)	SET	1			
04---	037-0404	C.F.R.	1/2W J 82Ω	EA	2	RB4,RB14		

PARTS LIST

코드 : 700-0217

MODEL : FUNCTION GENERATOR (MXG-9810)

P/L구분 : 可

REVISION DATE : 1999. 05. 08. (No. : 05TH)

레벨	품목코드	품목명	규격	단위	Q'TY	PART - NO	업체명	비고
04---	049-0110	TRANSISTOR	2N3904	EA	8	Q1,Q2,Q4,Q7,Q10,Q25,QA7,QA8		
04---	049-0109	TRANSISTOR	2N3906	EA	6	Q3,Q8,Q9,Q14,QA5,QA6		
04---	049-0146	TRANSISTOR	2SC3952D/E	EA	2	QA16,QA21		
04---	049-0145	TRANSISTOR	2SA1537D/E	EA	2	QA13,QA19		
04---	049-0141	TRANSISTOR	2SC2901	EA	2	Q11,Q13		
04---	049-0140	TRANSISTOR	2SA1206	EA	1	Q12		
04---	049-0201	F.E.T.	2SK192A	EA	2	Q5,Q6		
04---	026-1301	I.C.	MC14532BCP	EA	1	U2		
04---	026-1702	I.C.	MC14051BCP	EA	4	U3,U5,U7,U9		
04---	026-1901	I.C.	CA3046	EA	1	U8		
04---	026-0406	I.C.	MAX9687CPE-4	EA	1	U11		
04---	026-2809	I.C.	MC10H131P	EA	1	U12		
04---	008-0711	M.P.F.C.	331 J 100V	EA	1	C19		
04---	008-0713	M.P.F.C.	393 J 100V	EA	1	C22		
04---	008-0714	M.P.F.C.	394 J 100V	EA	1	C103		
04---	008-0403	MYLAR CAP.	104/250V(100nF/250V)	EA	1	C108		
04---	008-0309	E.C.	22μF/25V(4.0x7.0)	EA	14	C6,C9,C4,C11,C37,C38,C61,C62,C65,C66, C117,C119,C120,C121		
04---	008-0318	E.C.	220μF/35V(10.0x12.5)	EA	1	C2		
04---	016-0107	SCHOTTKY DIODE	1SS97	EA	2	CR5,CR6		
04---	045-0508	PUSH SWITCH	SPUN70x1C071(SPUN 2C2P 7KEY)	EA	1	SW1		
04---	045-0507	PUSH SWITCH	SPUN30x1C071(SPUN 2C2P 3KEY)	EA	1	SW2		
04---	045-0504	PUSH SWITCH	SPUN19x1M021(SPEC 4C2P 1KEY)	EA	1	SW3		
04---	042-0103	I.C. SOCKET	WSD1F-14T	EA	1	U13A		
04---	008-0718	M.P.F.C	392J 63V	EA	1	C21		
04---	016-0603	ZENER DIODE	1N4738(8.2V 1W)	EA	1	CR7		
04---	024-0105	HEAT SINK	툼니형	EA	2	QA11A,QA12A		
04---	049-0108	TRANSISTOR	2N2219A	EA	2	QA11,QA18		
04---	049-0107	TRANSISTOR	2N2905A	EA	2	QA17,QA20		
04---	037-0401	C.F.R.	1/2W J 10Ω	EA	2	RA47,RA50		
04---	037-1227	M.G.V.R.	20KΩ (687A)	EA	2	RVA7,RV24		
04---	008-0306	E.C.	47μF/50V(6.3x11.0)	EA	7	CA101~CA104,CA107,CA27,CA49	래피드전자	
04---	008-0324	E.C.	1μF/50V(4.0x7.0)	EA	1	CA25		
04---	037-7066	M.F.R.	1/4W F 33Ω	EA	2	RB9,RB12		
04---	016-0106	SWITCHING DIODE	1N4148	EA	6	DB1,DB3,DB5~DB7,DB4		
04---	037-0726	M.F.R.	1/4W F 1.6 KΩ	EA	1	R36		
04---	012-0601	WAFER	YW025-02	EA	5	P6,P8,P14,P9,P10		
04---	012-0602	WAFER	YW025-03	EA	1	P7		
04---	012-0607	WAFER	YW025-08	EA	1	P1		
04---	012-0612	WAFER	YW025-13	EA	1	P2		
04---	037-0211	C.F.R.	1/2W J 22Ω	EA	2	RB1,RB10		

PARTS LIST

코드 : 700-0217 MODEL : FUNCTION GENERATOR (MXG-9810) P/L구분 : 可 REVISION DATE : 1999. 05. 08. (No. : 05TH)

레벨	품목코드	품목명	규격	단위	Q'TY	PART - NO	업체명	비고
04---	008-0907	TRIMMER CAP.	30pF (ø 6)	EA	4	TC2,TC11,CV2,TC12		
04---	016-0601	ZENER DIODE	1N4742	EA	2	DB9,DB10		
04---	016-0604	ZENER DIODE	1N5242	EA	2	DB2,DB8		
04---	012-0604	WAFER	YW025-05	EA	1	P4		
04---	012-0620	WAFER	YW396-03V	EA	1	P3		
04---	045-0402	POWER SWITCH	V-SY-K14SV33A	EA	1	SW16		
04---	037-0257	C.F.R.	¼W J 300Ω	EA	1	R51		
04---	037-0263	C.F.R.	¼W J 2.4 KΩ	EA	2	R6,R11		
04---	037-0753	M.F.R.	¼W F 620Ω	EA	1	R8		
04---	037-1223	M.G.V.R.	2K (687A)	EA	1	RVA8		
04---	026-0403	I.C.	SN7400N	EA	1	U13		
04---	037-0403	C.F.R.	½W J 100Ω	EA	4	RB7,RA57,RB5,RA53		
04---	037-0436	C.F.R.	1/2W J 680OHM	EA	5	RA25,RA27,RA30,RA101,RB13		
04---	037-0435	C.F.R.	1/2W J 300HM	EA	2	RB3,RB11		
04---	024-0109	HEAT SINK	MXG9810(35×75×4t)	EA	1	QA13A		
04---	042-0107	I.C SOCKET	WSDIF-16T	EA	2	U11A,U12A		
04---	057-0113	COIL	160uH (180uH)	EA	1	L1		
04---	008-0329	E.C	47μF/25V	EA	1	C127		
04---	016-0612	ZENER DIODE	21.6 1W	EA	2	DB11,DB12		
04---	008-0369	E.C	1000μF/25V	EA	2	C125,C126		
04---	037-0516	M.F.R.	1/2W F 470Ω	EA	2	RA102,RA105		
04---	016-0611	ZENER DIODE	5.6V/1W	EA	1	D1		
04---	008-0202	CERAMIC CAP.	220/50V (22pF/50V)	EA	1	C124		
04---	037-1304	M.G.V.R	100Ω (687A)	EA	5	RVA3,RVA9,RV7,RV17,RV29		
04---	008-0908	TRIMMER CAP.	TPTC 05-A	EA	1	CVA10		
04---	037-1229	M.G.V.R.	5K (687A)	EA	5	RV1~RV5		
04---	037-1222	M.G.V.R.	1K (687A)	EA	5	RV15,RV6,RV9,RV14,RV30		
04---	037-1219	M.G.V.R.	100 KΩ (687A)	EA	1	RV8		
04---	037-1224	M.G.V.R.	10K (687A)	EA	4	RV10,RV11,RV12,RV28		
04---	037-1225	M.G.V.R.	200Ω (687A)	EA	2	RV13,RV16		
02-----	317-0203	F.G.C. PCB ASS'Y	MXG9810(F.C. PCB ASS'Y)	SET	1			
03-----	317-0305	F.G.C. PCB CHIP MOUNT	MXG9810(F.C. PCB CHIP MOUNT)	SET	1			
04---	008-0103	CHIP CERAMIC CAP.	GMC21xCG221J50N1F (220p/50V)	EA	1	CB13		
04---	008-0106	CHIP CERAMIC CAP.	GMC21xCG220J50N1F (22p/50V)	EA	3	CB8,C401,C402		
04---	008-0110	CHIP CERAMIC CAP.	GMC21X7R470J50N1F (47p/50V)	EA	2	CB9,CB10		
04---	037-0167	CHIP R.	MCR 10J EZH 2012 1Ω	EA	1	RB25		
04---	037-0178	CHIP R.	MCR 10J EZH 2012 1.5KΩ	EA	2	RB30,RB32		
04---	037-0168	CHIP R.	MCR 10J EZH 2012 10Ω	EA	2	RB19,RB37		
04---	037-0170	CHIP R.	MCR 10J EZH 2012 100Ω	EA	6	R132,R128,R127,RB46,R130,R133		
04---	037-0150	CHIP R.	MCR 10J EZH 2012 100 kΩ	EA	9	RQ1,RQ4,R155,RB40A,R95~R99		
04---	037-0131	CHIP R.	MCR 10J EZH 2012 5.6 kΩ	EA	5	R407~R411		

PARTS LIST

코드 : 700-0217 MODEL : FUNCTION GENERATOR (MXG-9810) P/L구분 : 可 REVISION DATE : 1999. 05. 08. (No. : 05TH)

패 널	품목코드	품 목 명	규 격	단 위	Q'TY	PART - NO	업 제 명	비 고
04---	037-0135	CHIP R.	MCR 10J EZH 2012 10 kΩ	EA	4	RGA18,RB40,RB43,R406		
04---	037-0177	CHIP R.	MCR 10J EZH 2012 1KΩ	EA	7	RGA14,RGA17,RB20,RB27,RB26,RGA9,RGA8		
04---	037-0171	CHIP R.	MCR 10J EZH 2012 200Ω	EA	1	RB23		
04---	037-0180	CHIP R.	MCR 10F EZH 2012 237Ω	EA	1	RB87		
04---	037-0181	CHIP R.	MCR 10F EZH 2012 261Ω	EA	2	RB88,RB45		
04---	037-0285	CHIP R.	MCR 18J EZH 2012 4.7K	EA	2	RGA10,RB170		
04---	037-0173	CHIP R.	MCR 10J EZH 2012 470Ω	EA	6	RB31,RB21,RB22,RB11,RB42,RB28		
04---	037-0169	CHIP R.	MCR 10J EZH 2012 51Ω	EA	2	RB92,RGA24		
04---	037-0175	CHIP R.	MCR 10J EZH 2012 560Ω	EA	2	RB29,RB39		
04---	037-0176	CHIP R.	MCR 10J EZH 2012 680Ω	EA	1	RB33		
04---	037-0184	CHIP R.	MCR 10J EZH 2012 2.2KΩ	EA	21	RD1~RD11,RD21~RD28,R402,R129		
04---	037-0200	CHIP R.	MCR 10J EZH 2012 47K	EA	2	RQ5,R405		
04---	037-0174	CHIP R.	MCR 10J EZH 2012 510Ω	EA	1	RB164		
04---	026-0204	CPU I.C	UFC-97 (SMD)	EA	1	ICD1		
04---	008-0104	CHIP CERAMIC CAP.	GMC21x7R103K50N1F(103p/50V)	EA	1	C96		
04---	008-0101	CHIP CERAMIC CAP.	GMC21xY5V104Z50N1M(104p/50V)	EA	9	SC3,CQ3,C95,C97~C99,CB99,C404,CQ2		
04---	016-0109	SWITCHING DIODE	KDS160	EA	6	DG1,DQ1~DQ5		
04---	026-0912	C.P.U.	KS88C0716-01	EA	1	IC401	삼성전자(신성반도체)	
04---	049-0303	TRANSISTOR (SMD)	2SC 2412K-Q/KTC3875S Y	EA	1	Q401		
04---	037-0185	CHIP R.	MCR 10J EZH 2012 180KΩ	EA	1	RQ3		
04---	035-0238	P.C.B.	MXG(FGC) FR4 D/S (195×138×1.	EA	1		라미전자	
04---	026-2303	I.C.	74HC04(SMD)	EA	1	IC402		
04---	037-0283	CHIP R.	MCR 18J EZH 2012 56K	EA	2	RGA15,RGA19		
04---	037-0133	CHIP R.	MCR 10J EZH 2012 7.5 kΩ	EA	1	RGA11		
04---	037-0179	CHIP R.	MCR 10J EZH 2012 39KΩ	EA	1	RGA13		
04---	037-0147	CHIP R.	MCR 10J EZH 2012 51 kΩ	EA	1	RGA23		
04---	037-0172	CHIP R.	MCR 10J EZH 2012 360Ω	EA	1	RB44		
04---	037-0126	CHIP R.	MCR 10J EZH 2012 3.3 kΩ	EA	3	RB84,R401,R404		
04---	037-0125	CHIP R.	MCR 10J EZH 2012 3 kΩ	EA	1	RGA20		
04---	008-0107	CHIP CERAMIC CAP.	GMC21COG101D50N1F(100P/50V)	EA	1	CQ4		
04---	037-0161	CHIP R.	MCR 10J EZH 2012 33Ω	EA	1	RGA12		
04---	026-1302	I.C.	74AC08(SMD)	EA	1	IC8		
04---	037-0185	CHIP R.	MCR 10J EZH 2012 270kΩ	EA	1	R509		
04---	037-0151	CHIP R.	MCR 10F EZH 2012 220Ω	EA	1	RGA16		
04---	008-0127	CHIP CERAMIC CAP.	GMC21COG151J50N1(150pF/50V)	EA	1	CQ9		
04---	037-0112	CHIP R.	MCR 10J EZH 2012 270Ω	EA	1	RQ2		
04---	037-0115	CHIP R.	MCR 10J EZH 2012 750Ω	EA	1	R403		
03----	317-0306	F.G.C. PCB INSERT	MXG9810(F.C. PCB INSERT)	SET	1			
04---	008-0422	MYLAR CAP.	474K250V	EA	1	CB5		
04---	008-1002	SURGE CAP.	103/1KV	EA	1	C412		
04---	008-0315	B.C.	47μF/16V(5.0x7.0)	EA	5	CB15,CB60,CB14,CB43,CB52		

PARTS LIST
=====

코드 : 700-0217 MODEL : FUNCTION GENERATOR (MXG-9810) P/L구분 : 可 REVISION DATE : 1999. 05. 08. (No. : 05TH)

레벨	품목코드	품목명	규격	단위	Q'TY	PART - NO	업체명	비고
04---	014-0401	OSCILLATOR	10MHz (TCXO)	EA	1	X1	창우전자	
04---	014-0104	CRYSTAL	11.0592MHz	EA	1	XT402		
04---	008-0324	E.C.	1μF/50V (4.0x7.0)	EA	4	CB59,CB7,C403,C406		
04---	008-0213	CERAMIC CAP.	103/50V (10nF/50V)	EA	2	C202,C024		
04---	016-0106	SWITCHING DIODE	1N4148	EA	3	DB3,DB9,DB10		
04---	026-1805	I.C. (PRESCALAR)	M54460L	EA	1	UB7		
04---	026-2401	I.C.	MC10216P	EA	1	UB6		
04---	037-7071	M.F.R.	1/2W F 350K	EA	1	RB36		
04---	037-0710	M.F.R.	1/4W F 4 KΩ	EA	1	RB38		
04---	037-0732	M.F.R.	1/4W F 50 KΩ	EA	1	RB35		
04---	057-0101	RELAY	DS2Y-S-DC5V	EA	1	RYB2		
04---	049-0126	TRANSISTOR	C9015	EA	2	QB18,QB19		
04---	049-0127	TRANSISTOR	PN2222	EA	12	QB2,QD1~QD11		
04---	037-1233	M.D.V.R.	631HF01 500Ω	EA	1	VRB1		
04---	049-0130	TRANSISTOR	J310	EA	1	QB16		
04---	049-0128	TRANSISTOR	KSA643-Y	EA	1	QB17		
04---	037-7067	M.F.R.	1/2W F 1 MΩ	EA	1	RB34		
04---	026-0801	I.C.	LTV817B (DIP)	EA	2	IC4,IC7		
04---	026-2304	I.C.	UDN2981A	EA	1	ICD2		
04---	012-0613	WAFER	YW396-02	EA	1	CN		
04---	012-0601	WAFER	YW025-02	EA	5	CN14,CN15,CN19,CN20,CN22		
04---	012-0602	WAFER	YW025-03	EA	3	CN4,CN18,CN23		
04---	012-0612	WAFER	YW025-13	EA	3	CN9,CN10,CN17		
04---	012-0604	WAFER	YW025-05	EA	1	CN3		
04---	016-0703	BRIDGE DIODE	PBP203	EA	1	D201		
04---	008-0312	E.C.	4700μF/25V (18.0x35.5) 85°C	EA	1	C201		
04---	008-0321	E.C.	100μF/16V (6.3x11.0)	EA	4	C45,CB82,CB42,CB18		
04---	026-1206	I.C.	MCT7805CT	EA	1	IC201		
04---	027-0603	BNC CONNECTOR	BNC-RB UG-1094 (신형)	EA	2	CHB1,CHB2		
04---	036-0234	BNC SHIELD CABINET	MXG-9810	EA	1	CHB3		
04---	036-0235	SHIELD PLATE (GUIDE)	MXC	EA	1	CHB4		
04---	036-0236	SHIELD COVER	MXC	EA	1	CHB5		
04---	045-0801	PUSH PULL (POTNTIONMETER)	(SL123-4)20KC-B2K	EA	1	VRG1		
04---	045-0802	PUSH PULL (POTENTIONMETER)	(SL123-4)20KC-B10K	EA	3	VRG2,VRG4,VRG5		
04---	045-0803	PUSH-PULL (POTENTIONMETER)	(SL123-4)20KC-B50K	EA	1	VRG3		
04---	008-0365	E.C.	4.7μF/35V (4.0x7.0)	EA	1	C405		
04---	008-0705	M.P.F.C.	104/63V MMY-168 (0.1μF 63V K)	EA	3	CB16,CB61,C234		
04---	037-0720	M.F.R.	1/4W F 240Ω	EA	1	R521		
04---	037-0744	M.F.R.	1/4W F 62Ω	EA	2	R522,R523		
04---	037-0914	M.N.W.R.	1/2W 1Ω	EA	1	R519		
04---	037-0722	M.F.R.	1/4W F 2.7 KΩ	EA	1	R518		

PARTS LIST

코드 : 700-0217 MODEL : FUNCTION GENERATOR (MXG-9810) P/L구분 : 可 REVISION DATE : 1999. 05. 08. (No. : 05TH)

레벨	품목코드	품목명	규격	단위	Q'TY	PART - NO	업체명	비고
04---	037-0771	M.F.R.	¼W F 100Ω	EA	1	RB24		
04---	037-0737	M.F.R.	¼W F 1 KΩ	EA	2	R513,R514		
04---	008-0301	E.C.	33µF/16V(4×7)	EA	1	CQ1		
04---	024-0107	HEAT SINK	15x23x60(24x57)	EA	1	IC201A		
04---	110-0123	SCREW	M3x8 M,S PH S/W Zny	EA	1			
04---	110-0125	SCREW	M3x12 PHM S/W ZN	EA	1			
04---	012-0815	CONNECTOR	SIGLE ROW 3P	EA	1	CN12		
04---	008-0330	E.C.	10µF/25V(4x7)	EA	1	C413		
04---	008-0320	E.C.	100µF/50V(8.0x11.5)	EA	1	C203		
02-----	317-0204	LINE FILTER PCB ASS'Y	MXG9810(LINE FILTER PCB ASS'Y)	SET	1			
03-----	317-0307	LINE FILTER INSERT	MXG9810(LINE FILTER INSERT)	SET	1			
04---	037-7067	M.F.R.	½W F 1 MΩ	EA	1	R1		
04---	057-0104	COIL	SQ2014	EA	1	L1		
04---	008-0421	M.P.F.C	0.47µF/AC250V MKP(474)	EA	1	C4		
04---	008-0430	MYLAR CAP.	104/AC250V(X2,OIL CAP.)	EA	1	C1		
04---	012-0620	WAFER	YW396-03V	EA	3	J1,J2,J6		
04---	012-0621	WAFER	YW396-04V	EA	2	J4,J5		
04---	035-0234	P.C.B.	MXC/MXG(L) CM1 (90×40×1.6t)	EA	1		라미전자	
04---	008-1005	SURGU CAP.	2KV 102	EA	2	C7,C8		
02-----	317-0205	POWER PCB ASS'Y	MXG9810(POWER PCB ASS'Y)	SET	1			
03-----	317-0308	POWER INSERT	MXG9810(POWER INSERT)	SET	1			
04---	037-0401	C.F.R.	½W J 10Ω	EA	2	R1,R2		
04---	008-0213	CERAMIC CAP.	103/50V(10nF/50V)	EA	4	C3,C4,C10,C12		
04---	008-0318	E.C.	220µF/35V(10.0x12.5)	EA	4	C7,C8,C38,C37		
04---	008-0315	E.C.	47µF/16V(5.0x7.0)	EA	2	C5,C11		
04---	008-0309	E.C.	22µF/25V(4.0x7.0)	EA	2	C6,C9		
04---	016-0703	BRIDGE DIODE	PBP203	EA	1	D7		
04---	008-0360	E.C.	3300µF/35V(18x35.5)	EA	2	C34,C35		
04---	035-0239	P.C.B.	MXG(PS) FR4 D/S (100×50×1.6t)	EA	1		라미전자	
04---	012-0607	WAFER	YW025-08	EA	1	CN2		
04---	012-0604	WAFER	YW025-05	EA	1	CN1		
04---	012-0605	WAFER	YW025-06	EA	2	CN4,CN5		
04---	037-0823	C.F.R	2W J 100Ω	EA	2	R3,R4		
04---	037-0221	C.F.R.	2W J 200Ω	EA	2	R5,R6		
04---	016-0704	BRIDGE DIODE	PBM152	EA	1	D6		
04---	008-0313	E.C.	470µF/25V(10.0x16.0)	EA	2	C39,C40		
04---	012-0613	WAFER	YW396-02	EA	1	CN9		
04---	012-0623	WAFER	YWL-200-02P	EA	1	CON1		
04---	012-0614	WAFER	YW396-03	EA	1	CN3		
02-----	317-0206	PCB ASSEMBLY PART	MXG9810(PCB ASSEMBLY PART)	SET	1			
02-----	317-0210	F.G.C. SUB PCB ASS'Y	MXG9810(F.G.C. SUB PCB ASS'Y)	SET	1			

PARTS LIST

코드 : 700-0217 MODEL : FUNCTION GENERATOR (MXG-9810) P/L구분 : 可 REVISION DATE : 1999. 05. 08. (No. : 05TH)

대	번	품목코드	품 목 명	규	격	단	위	Q'TY	PART - NO	업	채	명	비	고
03	----	317-0309	F.G.C. SUB PCB CHIP MOUNT	MXG9810	(F.G.C. SUB PCB CHIP MO	SET		1						
04	---	008-0109	CHIP CERAMIC CAP.	GMC21x7R102K50N1F	(102p/50V)	EA		6	CA10~CA13,CA15,CA18					
04	---	008-0101	CHIP CERAMIC CAP.	GMC21xY5V104Z50N1M	(104p/50V)	EA		1	CA16					
04	---	037-0200	CHIP R.	MCR 10J EZH 2012	47K	EA		1	RA15					
04	---	037-0285	CHIP R.	MCR 18J EZH 2012	4.7K	EA		1	RA17					
04	---	037-01A0	CHIP R.	MCR 10J EZH 2012	1.2kΩ	EA		1	RA14					
04	---	037-0135	CHIP R.	MCR 10J EZH 2012	10 kΩ	EA		1	RA21					
04	---	037-0170	CHIP R.	MCR 10J EZH 2012	100 Ω	EA		1	RA18					
04	---	037-0159	CHIP R.	MCR 10J EZH 2012	390 kΩ	EA		1	RA16					
04	---	037-0175	CHIP R.	MCR 10J EZH 2012	560 Ω	EA		1	RA23					
04	---	049-0301	TRANSISTOR(SMD)	KTC3880	(AQV)	EA		2	QA6,QA1					
04	---	016-0108	SCHOTTKY DIODE	HSMS-2822		EA		1	DA2					
04	---	049-0303	TRANSISTOR(SMD)	2SC 2412K-Q/KTC3875S	Y	EA		1	QA5					
04	---	037-0169	CHIP R.	MCR 10J EZH 2012	51 Ω	EA		1	RA19					
04	---	037-0142	CHIP R.	MCR 10F EZH 2012	150 Ω	EA		1	RA20					
04	---	037-0160	CHIP R.	MCR 10J EZH 2012	68kΩ	EA		1	RA22					
04	---	037-0167	CHIP R.	MCR 10J EZH 2012	1 Ω	EA		1	RA13					
04	---	008-0124	CHIP CERAMIC CAP.	GMC21C0G224K50N1	(220pF/50V)	EA		2	CA14,CA17					
04	---	035-0242	P.C.B	MXG 1.3GHz SUB	(90.0x21.0x1.0t)	EA		1				라미전자		
03	-----	317-0310	F.G.C. SUB PCB INSERT	MXG-9810	(F.G.C. SUB PCB INSERT	SET		1						
04	---	026-1802	I.C.	MC12078P		EA		1	ICA2					
04	---	037-1221	M.G.V.R.	500K	(687A)	EA		1	VR2			래퍼드전자		
01	-----	317-0102	CASE ASS'Y	MXG9810	(CASE ASS'Y)	SET		1						
02	-----	317-0207	FRONT CASE ASS'Y	MXG9810	(FRONT CASE ASS'Y)	SET		1						
03	-----	027-0602	BNC CONNECTOR	BNC-RB UG-1094	(구형)	EA		3						
03	-----	025-3055	POWER SWITCH KNOB	MXC1600/2800	(5.5×8.0×9.0)	EA		1						
03	-----	025-3041	FRONT CASE	MXG-9802/9810		EA		1						
03	-----	025-3062	PUSH SWITCH KNOB	MXD4660A		EA		11						
03	-----	025-3063	TACK SWITCH KNOB	MXD4660A		EA		5						
03	-----	025-3034	VR KNOB	MXG-9802/9810		EA		5						
03	-----	025-3039	F.G. KNOB	MXG-9802/9810		EA		1						
03	-----	025-3027	F.G. DIAL	MS9160		EA		1						
03	-----	132-0106	FRONT PANEL	MXG-9802/9810		EA		1						
03	-----	034-0103	ROTARY VOLUME	RK16V21A000153B	(50K Ω)	EA		1						
03	-----	057-0106	GASKET	MXG9810		EA		1						
03	-----	123-0202	HARNESS	YH025-02	SHIELD 180m/m	EA		2						
03	-----	123-0269	HARNESS	YH025-02	230mmRG	EA		1						
03	-----	123-0220	HARNESS	YH025-03	250mm	EA		1						
03	-----	110-0126	SCREW	M3x6 T/S-2PH	ZNY	EA		3						
03	-----	022-1301	F.G RING	MXG-9810/9802		EA		1						
03	-----	025-3067	WINDOW	MXG-9802/9810		EA		1						

PARTS LIST

코드 : 700-0217

MODEL : FUNCTION GENERATOR (MXG-9810)

P/L구분 : 可

REVISION DATE : 1999. 05. 08. (No. : 05TH)

레벨	품목코드	품목명	규격	단위	Q'TY	PART - NO	업체명	비고
02-----	317-0208	MAIN CASE ASS'Y	MXG9810(MAIN CASE ASS'Y)	SET	1			
03-----	036-0242	MAIN CHASIS	MXG-9802/9810	EA	1			
03-----	024-0104	HEAT SINK	MXC(45×99)	EA	1			
03-----	123-0213	HARNESS	YH025-13P(D) 230m/m	EA	3		한영전자	
03-----	123-0259	HARNESS	YH025-05 shield 200mm	EA	1			
03-----	123-0220	HARNESS	YH025-03 250mm	EA	1			
03-----	123-0221	HARNESS	YH025-03 200mm	EA	1			
03-----	123-0222	HARNESS	YH025-02 250mmRG174	EA	3		한영전자	
03-----	123-0261	HARNESS	YH396-32V(D/S) 150mm	EA	1			
03-----	123-0262	HARNESS	YH-396-32V 100mm	EA	1			
03-----	123-0263	HARNESS	YH396-03V 120mm	EA	1			
03-----	123-0223	HARNESS	YH025-05 120mm	EA	1			
03-----	123-0225	HARNESS	YH025-06/02/02 100mm	EA	2			
03-----	123-0102	EARTH WIRE	100m/m(YELLOW/GREEN)	EA	1		한영전자	
03-----	123-0267	HARNESS	YH025-08 200mm	EA	1			
03-----	132-0107	BACK PANEL	MXG-9802/9810	EA	1			
03-----	036-0231	POWER STAND	MXC(106×197.4×1.2t 백색아연)	EA	1			
03-----	036-0207	T.F BLANKET	小	EA	4			
03-----	048-0118	FAN	MF401D-12H(LB)	EA	1			
03-----	022-0214	SPACE	∅6×35	EA	2			
03-----	022-0215	POLE	∅6×15-5mm	EA	2			
03-----	026-0202	I.C.	MCT7905CT	EA	1			
03-----	026-1206	I.C.	MCT7805CT	EA	1			
03-----	026-1208	I.C.	MCT7815CT	EA	1			
03-----	026-1209	I.C.	MC7915CT	EA	1			
03-----	201-0601	절연지	T0220	EA	4			
03-----	201-0501	수축 TUBE	3∅	M	1			
03-----	110-0118	SCREW	M3x10 M,S FN B.K	EA	2			
03-----	110-0155	SCREW	M3x6 M/S BH NI	EA	4			
03-----	110-0146	NUT ZNY	M3 x 0.5P	EA	4			
03-----	110-0110	SCREW	M3x5 PHM S/W ZN	EA	6			
03-----	110-0123	SCREW	M3x8 M,S PH S/W Zny	EA	13			
03-----	017-0208	FUSE	F250V/800mA 5x20 S500	EA	1			
03-----	033-0203	AC INLET	BAC1-03	EA	1			
03-----	201-0702	SILICON WASHER	TO-220	EA	4			
03-----	009-0407	D-SUB CONNECTOR	17LB-03090-27	EA	1			
03-----	035-0243	P.C.B.	D-SUB PCB	EA	1			
03-----	048-0123	TRANSFORMER	220/230V-20V/8V/1.2A	EA	1			
03-----	048-0126	TRANSFORMER	220/230V-7V/1.5A	EA	1			
03-----	110-0137	SCREW	M3×21.0 PHM S/W ZN S=5	EA	4			
03-----	110-0113	SCREW	M4x10 M,S S/W Zny	EA	3			

PARTS LIST

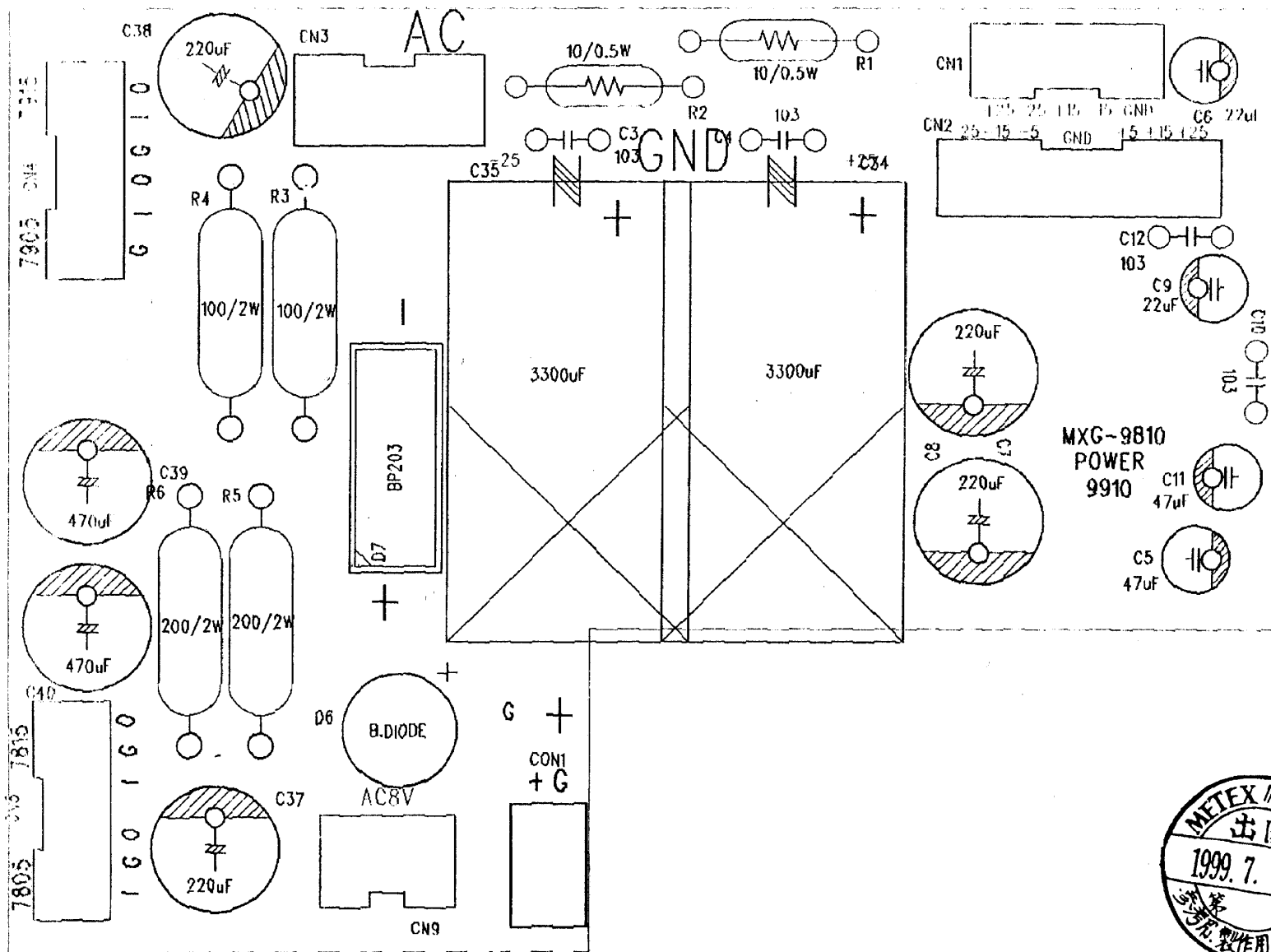
코드 : 700-0217 MODEL : FUNCTION GENERATOR (MXG-9810) P/L구분 : 可 REVISION DATE : 1999. 05. 08. (No. : 05TH)

레벨	품목코드	품목명	규격	단위	Q'TY	PART - NO	업체명	비고
03----	110-0114	SCREW	M4x6 M,S PH Zny	EA	1			
03----	110-0158	SCREW	M3x6 M/S PH NI	EA	4			
03----	110-0136	WATCH WASHER ZNY	3φ Zn	EA	4			
03----	110-0145	NUT ZNY	M4 x 0.7P	EA	4			
03----	213-1005	너트	3.2(小)	EA	1			
02-----	317-0209	CASE ASSEMBLY PART	MXG9810(CASE ASSEMBLY PART)	SET	1			
03----	025-3056	HANGER	MXC1600/2800(232×107×27.5)	EA	1			
03----	025-3057	HANGER GUIDE A	MXC1600/2800(60×50×60)	EA	2			
03----	025-3058	HANGER GUIDE B	MXC1600/2800(φ50.0×17.0)	EA	2			
03----	231-3863	RUBBER STAND(원형)	φ45×4.0t	EA	4			
03----	025-3044	ON/OFF GUIDE	MXG9810	EA	1			
03----	025-3055	POWER SWITCH KNOB	MXC1600/2800(5.5×8.0×9.0)	EA	1			
03----	036-0241	MAIN COVER	MXG-9802/9810	EA	1			
03----	025-3065	BACK STAND	MXG-SERIES	EA	1			
03----	110-0155	SCREW	M3x6 M/S BH NI	EA	6			
03----	110-0116	SCREW	M3x10 SIM,S,M,S PH S/W B.K	EA	4			

(주)서원해밀리

100.0 mm

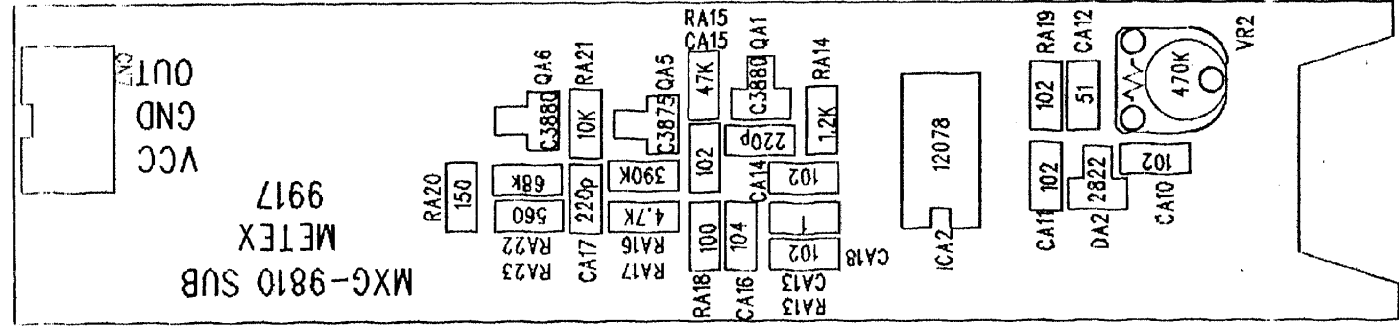
70.0mm



M. 99.7.21

21.0mm

90.0mm

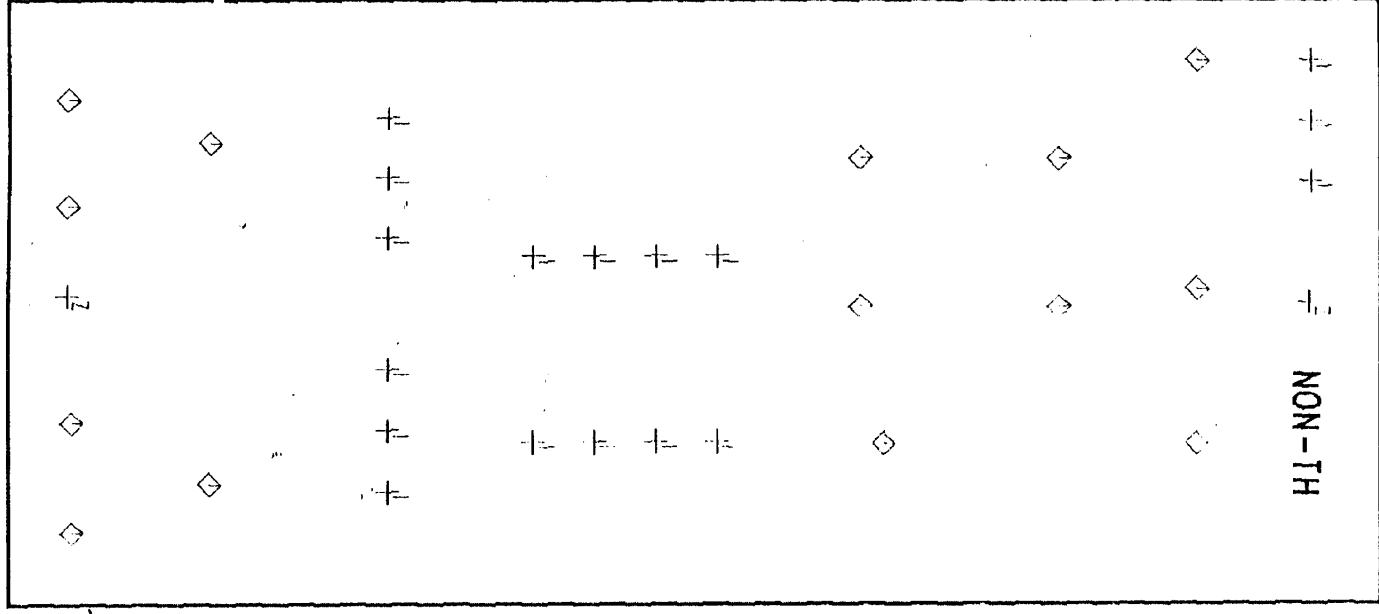
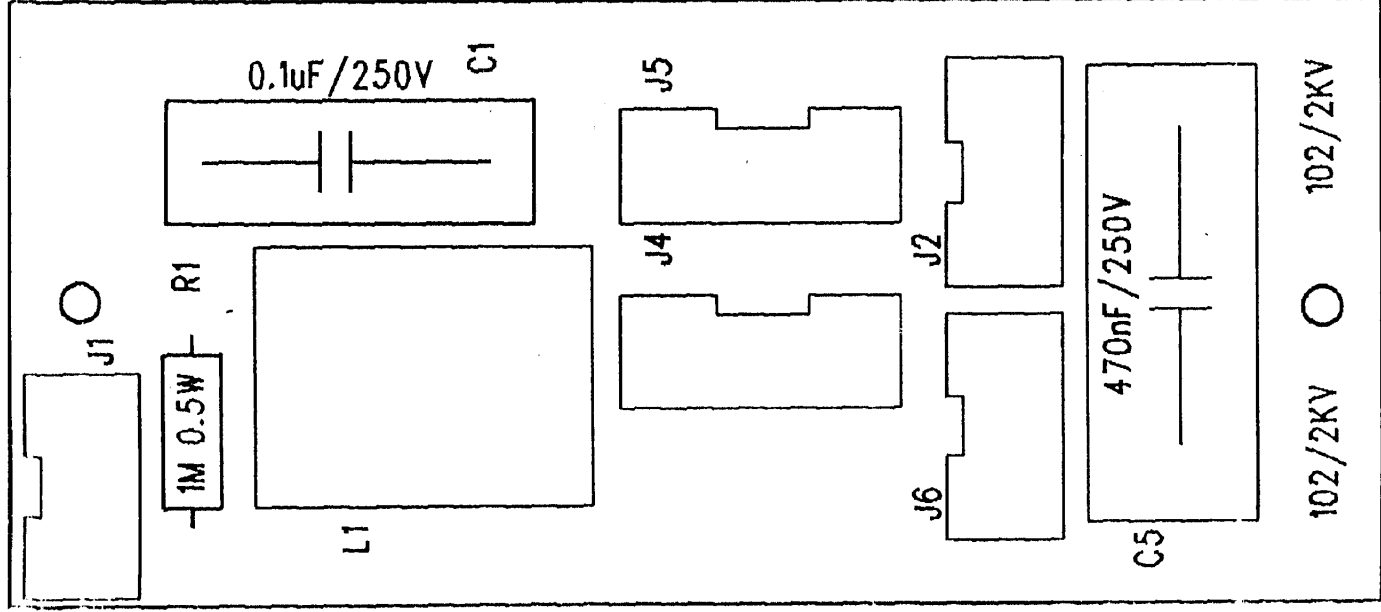


MXG-9810 1.3GHz SUB PCB(9917)
PCB MATERIAL : FR-4 1.0T

Handwritten signature

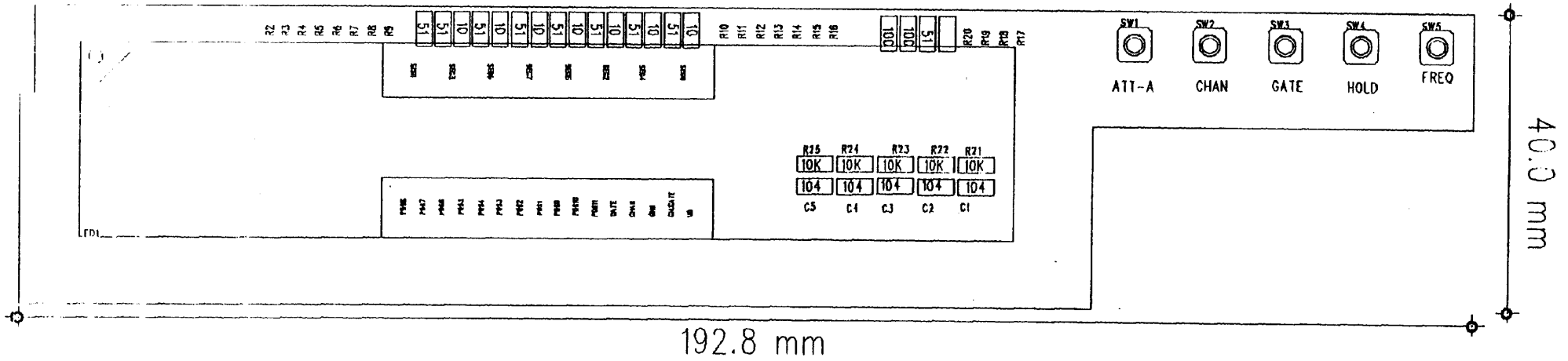


4	1	2	3	4	5
1	2	3	4	5	6
1	2	3	4	5	6
1	2	3	4	5	6



Handwritten signature and date: 99.7.21

TOP SIDE SILK SCREEN



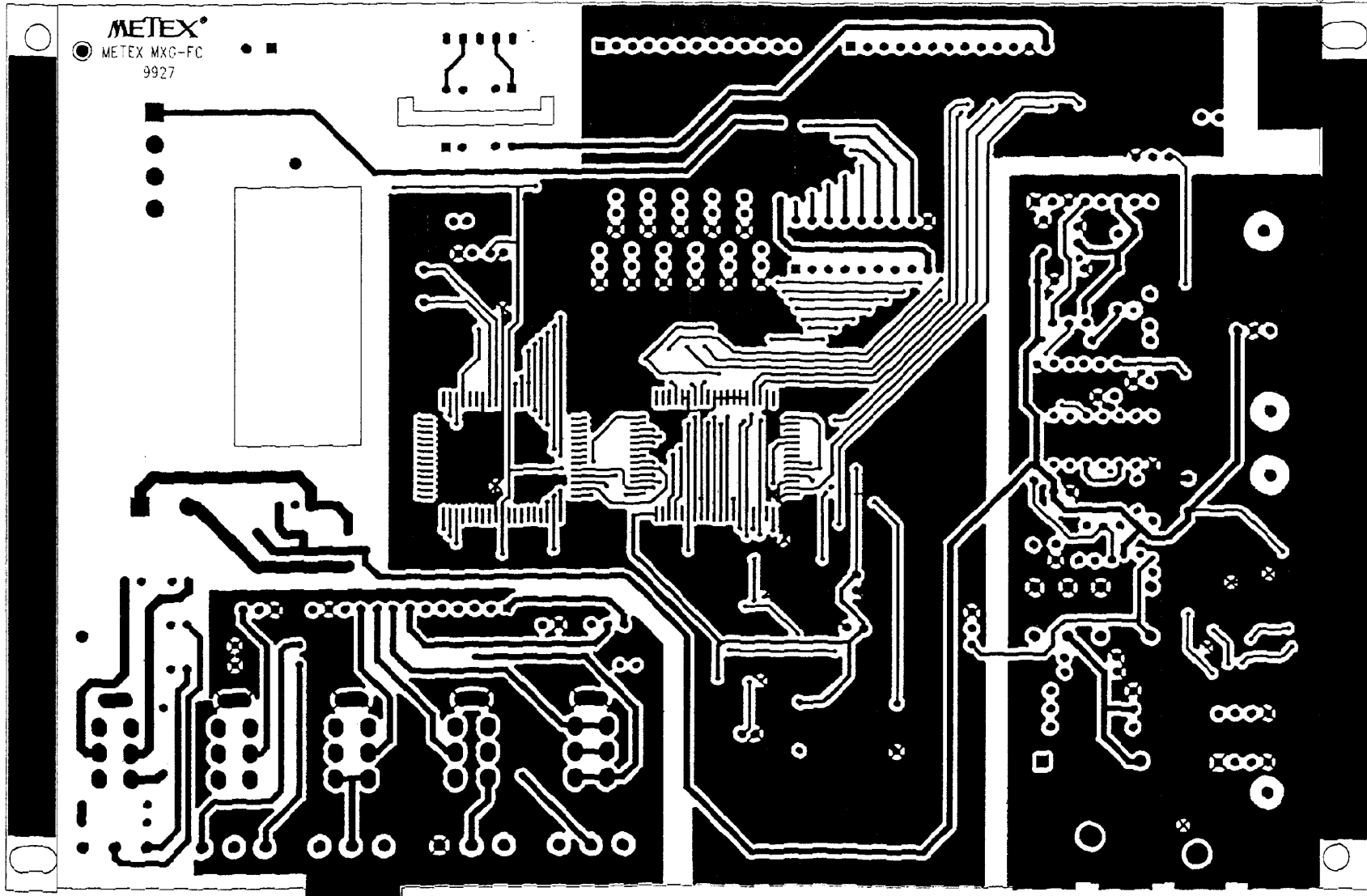
Handwritten signature and date: 1999.7.21

195.6 mm

V-CUT

139.1 mm

METEX
METEX MXG-FC
9927



TOP SIDE PATTERN

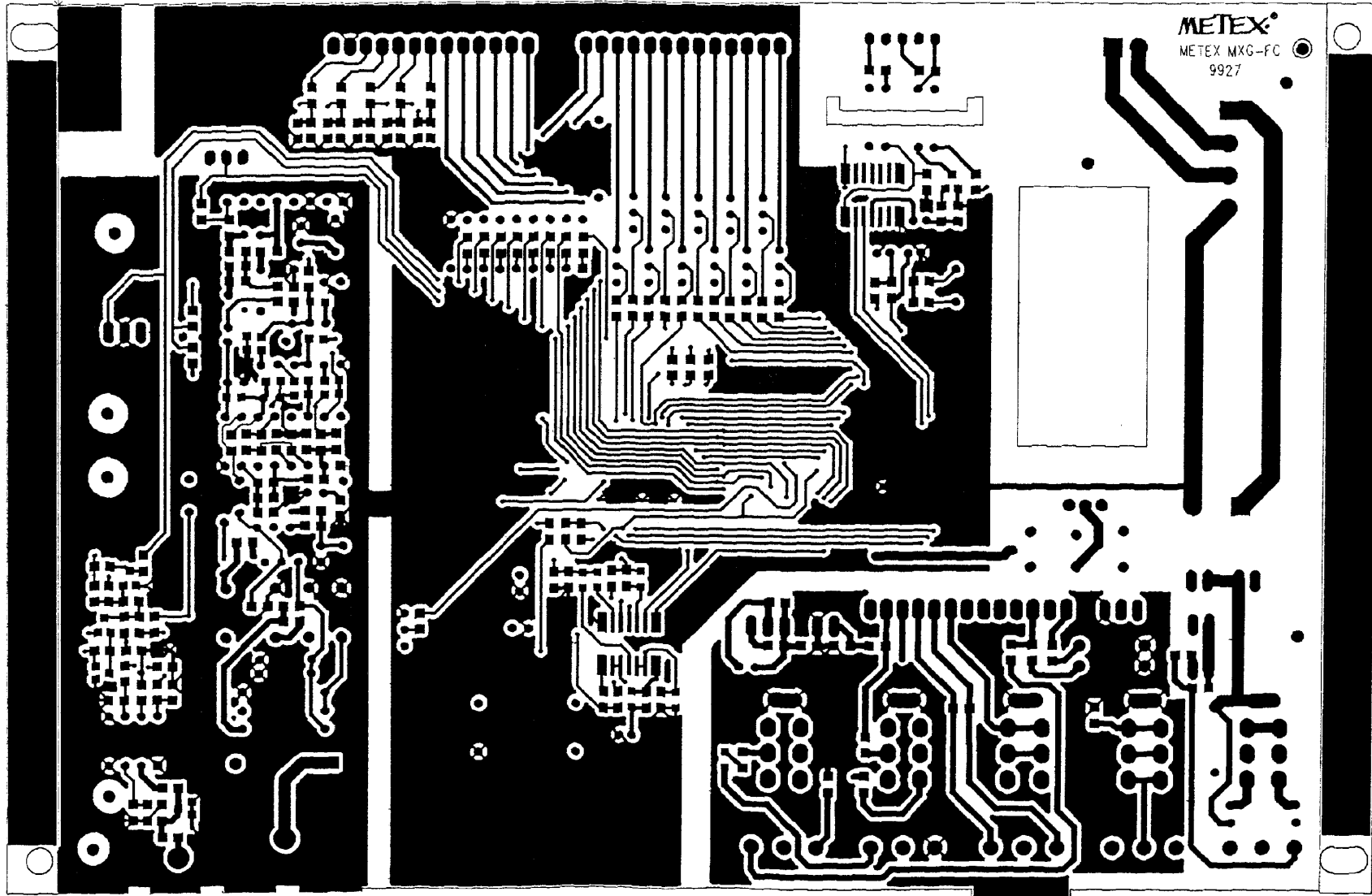
M. S. S. S. S. S.



mm 8.281

TUC-V

mm 1.051



METEX®
METEX MXG-FC
9927

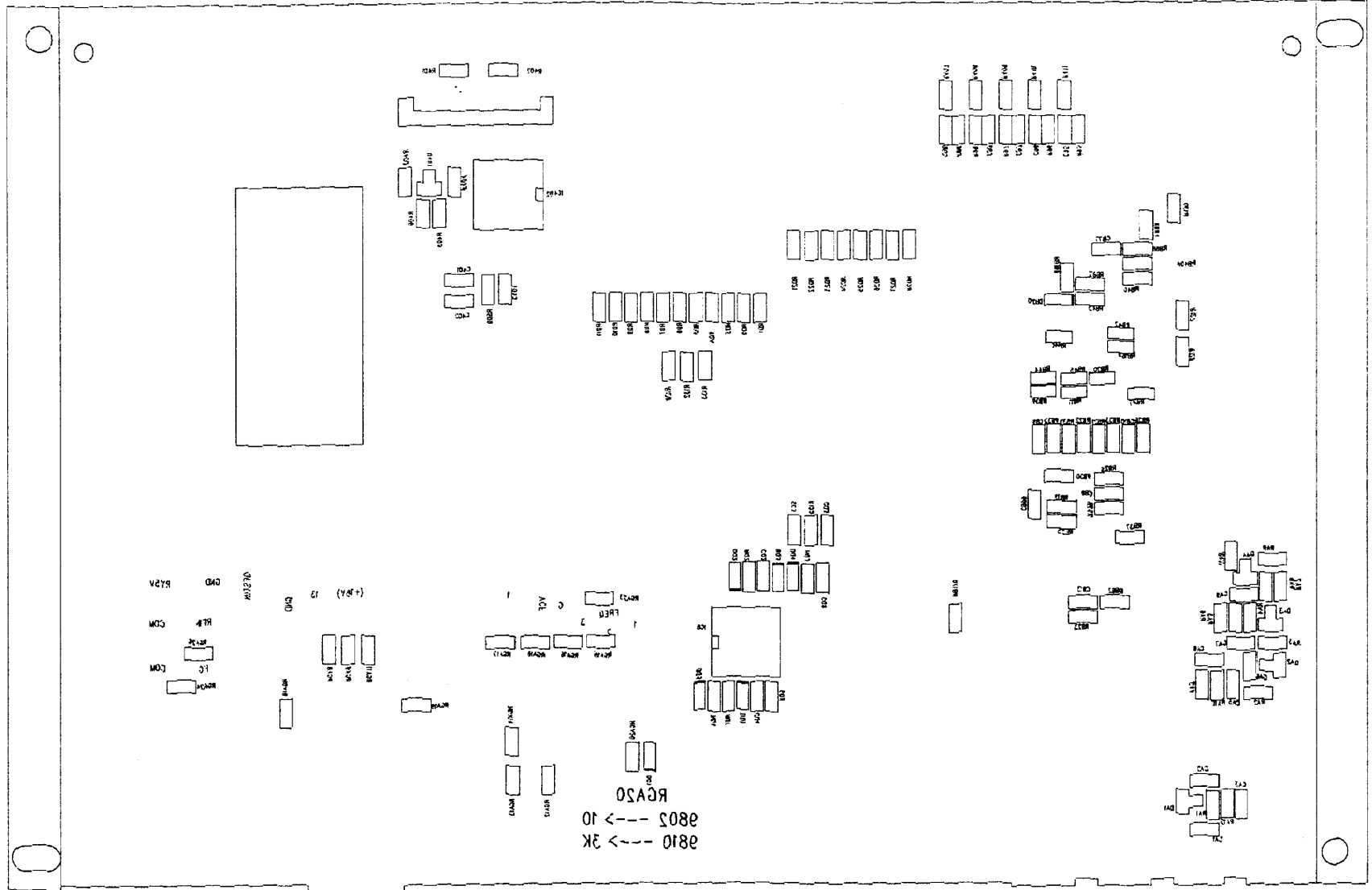
BOTTOM SIDE PATTERN

Handwritten signature and date: 89.7.22

195.6 mm

V-CUT

139.1 mm



BOTTOM SIDE SILK SCREEN

8810 ---> 3K
8805 ---> 10
RCA50

Q127W
Q127V
Q127U
Q127X
Q127Y
Q127Z
Q127AA
Q127AB
Q127AC
Q127AD
Q127AE
Q127AF
Q127AG
Q127AH
Q127AI
Q127AJ
Q127AK
Q127AL
Q127AM
Q127AN
Q127AO
Q127AP
Q127AQ
Q127AR
Q127AS
Q127AT
Q127AU
Q127AV
Q127AW
Q127AX
Q127AY
Q127AZ
Q127BA
Q127BB
Q127BC
Q127BD
Q127BE
Q127BF
Q127BG
Q127BH
Q127BI
Q127BJ
Q127BK
Q127BL
Q127BM
Q127BN
Q127BO
Q127BP
Q127BQ
Q127BR
Q127BS
Q127BT
Q127BU
Q127BV
Q127BW
Q127BX
Q127BY
Q127BZ
Q127CA
Q127CB
Q127CC
Q127CD
Q127CE
Q127CF
Q127CG
Q127CH
Q127CI
Q127CJ
Q127CK
Q127CL
Q127CM
Q127CN
Q127CO
Q127CP
Q127CQ
Q127CR
Q127CS
Q127CT
Q127CU
Q127CV
Q127CW
Q127CX
Q127CY
Q127CZ
Q127DA
Q127DB
Q127DC
Q127DD
Q127DE
Q127DF
Q127DG
Q127DH
Q127DI
Q127DJ
Q127DK
Q127DL
Q127DM
Q127DN
Q127DO
Q127DP
Q127DQ
Q127DR
Q127DS
Q127DT
Q127DU
Q127DV
Q127DW
Q127DX
Q127DY
Q127DZ
Q127EA
Q127EB
Q127EC
Q127ED
Q127EE
Q127EF
Q127EG
Q127EH
Q127EI
Q127EJ
Q127EK
Q127EL
Q127EM
Q127EN
Q127EO
Q127EP
Q127EQ
Q127ER
Q127ES
Q127ET
Q127EU
Q127EV
Q127EW
Q127EX
Q127EY
Q127EZ
Q127FA
Q127FB
Q127FC
Q127FD
Q127FE
Q127FF
Q127FG
Q127FH
Q127FI
Q127FJ
Q127FK
Q127FL
Q127FM
Q127FN
Q127FO
Q127FP
Q127FQ
Q127FR
Q127FS
Q127FT
Q127FU
Q127FV
Q127FW
Q127FX
Q127FY
Q127FZ
Q127GA
Q127GB
Q127GC
Q127GD
Q127GE
Q127GF
Q127GG
Q127GH
Q127GI
Q127GJ
Q127GK
Q127GL
Q127GM
Q127GN
Q127GO
Q127GP
Q127GQ
Q127GR
Q127GS
Q127GT
Q127GU
Q127GV
Q127GW
Q127GX
Q127GY
Q127GZ
Q127HA
Q127HB
Q127HC
Q127HD
Q127HE
Q127HF
Q127HG
Q127HH
Q127HI
Q127HJ
Q127HK
Q127HL
Q127HM
Q127HN
Q127HO
Q127HP
Q127HQ
Q127HR
Q127HS
Q127HT
Q127HU
Q127HV
Q127HW
Q127HX
Q127HY
Q127HZ
Q127IA
Q127IB
Q127IC
Q127ID
Q127IE
Q127IF
Q127IG
Q127IH
Q127II
Q127IJ
Q127IK
Q127IL
Q127IM
Q127IN
Q127IO
Q127IP
Q127IQ
Q127IR
Q127IS
Q127IT
Q127IU
Q127IV
Q127IW
Q127IX
Q127IY
Q127IZ
Q127JA
Q127JB
Q127JC
Q127JD
Q127JE
Q127JF
Q127JG
Q127JH
Q127JI
Q127JJ
Q127JK
Q127JL
Q127JM
Q127JN
Q127JO
Q127JP
Q127JQ
Q127JR
Q127JS
Q127JT
Q127JU
Q127JV
Q127JW
Q127JX
Q127JY
Q127JZ
Q127KA
Q127KB
Q127KC
Q127KD
Q127KE
Q127KF
Q127KG
Q127KH
Q127KI
Q127KJ
Q127KK
Q127KL
Q127KM
Q127KN
Q127KO
Q127KP
Q127KQ
Q127KR
Q127KS
Q127KT
Q127KU
Q127KV
Q127KW
Q127KX
Q127KY
Q127KZ
Q127LA
Q127LB
Q127LC
Q127LD
Q127LE
Q127LF
Q127LG
Q127LH
Q127LI
Q127LJ
Q127LK
Q127LL
Q127LM
Q127LN
Q127LO
Q127LP
Q127LQ
Q127LR
Q127LS
Q127LT
Q127LU
Q127LV
Q127LW
Q127LX
Q127LY
Q127LZ
Q127MA
Q127MB
Q127MC
Q127MD
Q127ME
Q127MF
Q127MG
Q127MH
Q127MI
Q127MJ
Q127MK
Q127ML
Q127MM
Q127MN
Q127MO
Q127MP
Q127MQ
Q127MR
Q127MS
Q127MT
Q127MU
Q127MV
Q127MW
Q127MX
Q127MY
Q127MZ
Q127NA
Q127NB
Q127NC
Q127ND
Q127NE
Q127NF
Q127NG
Q127NH
Q127NI
Q127NJ
Q127NK
Q127NL
Q127NM
Q127NN
Q127NO
Q127NP
Q127NQ
Q127NR
Q127NS
Q127NT
Q127NU
Q127NV
Q127NW
Q127NX
Q127NY
Q127NZ
Q127OA
Q127OB
Q127OC
Q127OD
Q127OE
Q127OF
Q127OG
Q127OH
Q127OI
Q127OJ
Q127OK
Q127OL
Q127OM
Q127ON
Q127OO
Q127OP
Q127OQ
Q127OR
Q127OS
Q127OT
Q127OU
Q127OV
Q127OW
Q127OX
Q127OY
Q127OZ
Q127PA
Q127PB
Q127PC
Q127PD
Q127PE
Q127PF
Q127PG
Q127PH
Q127PI
Q127PJ
Q127PK
Q127PL
Q127PM
Q127PN
Q127PO
Q127PP
Q127PQ
Q127PR
Q127PS
Q127PT
Q127PU
Q127PV
Q127PW
Q127PX
Q127PY
Q127PZ
Q127QA
Q127QB
Q127QC
Q127QD
Q127QE
Q127QF
Q127QG
Q127QH
Q127QI
Q127QJ
Q127QK
Q127QL
Q127QM
Q127QN
Q127QO
Q127QP
Q127QQ
Q127QR
Q127QS
Q127QT
Q127QU
Q127QV
Q127QW
Q127QX
Q127QY
Q127QZ
Q127RA
Q127RB
Q127RC
Q127RD
Q127RE
Q127RF
Q127RG
Q127RH
Q127RI
Q127RJ
Q127RK
Q127RL
Q127RM
Q127RN
Q127RO
Q127RP
Q127RQ
Q127RR
Q127RS
Q127RT
Q127RU
Q127RV
Q127RW
Q127RX
Q127RY
Q127RZ
Q127SA
Q127SB
Q127SC
Q127SD
Q127SE
Q127SF
Q127SG
Q127SH
Q127SI
Q127SJ
Q127SK
Q127SL
Q127SM
Q127SN
Q127SO
Q127SP
Q127SQ
Q127SR
Q127SS
Q127ST
Q127SU
Q127SV
Q127SW
Q127SX
Q127SY
Q127SZ
Q127TA
Q127TB
Q127TC
Q127TD
Q127TE
Q127TF
Q127TG
Q127TH
Q127TI
Q127TJ
Q127TK
Q127TL
Q127TM
Q127TN
Q127TO
Q127TP
Q127TQ
Q127TR
Q127TS
Q127TT
Q127TU
Q127TV
Q127TW
Q127TX
Q127TY
Q127TZ
Q127UA
Q127UB
Q127UC
Q127UD
Q127UE
Q127UF
Q127UG
Q127UH
Q127UI
Q127UJ
Q127UK
Q127UL
Q127UM
Q127UN
Q127UO
Q127UP
Q127UQ
Q127UR
Q127US
Q127UT
Q127UU
Q127UV
Q127UW
Q127UX
Q127UY
Q127UZ
Q127VA
Q127VB
Q127VC
Q127VD
Q127VE
Q127VF
Q127VG
Q127VH
Q127VI
Q127VJ
Q127VK
Q127VL
Q127VM
Q127VN
Q127VO
Q127VP
Q127VQ
Q127VR
Q127VS
Q127VT
Q127VU
Q127VV
Q127VW
Q127VX
Q127VY
Q127VZ
Q127WA
Q127WB
Q127WC
Q127WD
Q127WE
Q127WF
Q127WG
Q127WH
Q127WI
Q127WJ
Q127WK
Q127WL
Q127WM
Q127WN
Q127WO
Q127WP
Q127WQ
Q127WR
Q127WS
Q127WT
Q127WU
Q127WV
Q127WW
Q127WX
Q127WY
Q127WZ
Q127XA
Q127XB
Q127XC
Q127XD
Q127XE
Q127XF
Q127XG
Q127XH
Q127XI
Q127XJ
Q127XK
Q127XL
Q127XM
Q127XN
Q127XO
Q127XP
Q127XQ
Q127XR
Q127XS
Q127XT
Q127XU
Q127XV
Q127XW
Q127XX
Q127XY
Q127XZ
Q127YA
Q127YB
Q127YC
Q127YD
Q127YE
Q127YF
Q127YG
Q127YH
Q127YI
Q127YJ
Q127YK
Q127YL
Q127YM
Q127YN
Q127YO
Q127YP
Q127YQ
Q127YR
Q127YS
Q127YT
Q127YU
Q127YV
Q127YW
Q127YX
Q127YY
Q127YZ
Q127ZA
Q127ZB
Q127ZC
Q127ZD
Q127ZE
Q127ZF
Q127ZG
Q127ZH
Q127ZI
Q127ZJ
Q127ZK
Q127ZL
Q127ZM
Q127ZN
Q127ZO
Q127ZP
Q127ZQ
Q127ZR
Q127ZS
Q127ZT
Q127ZU
Q127ZV
Q127ZW
Q127ZX
Q127ZY
Q127ZZ

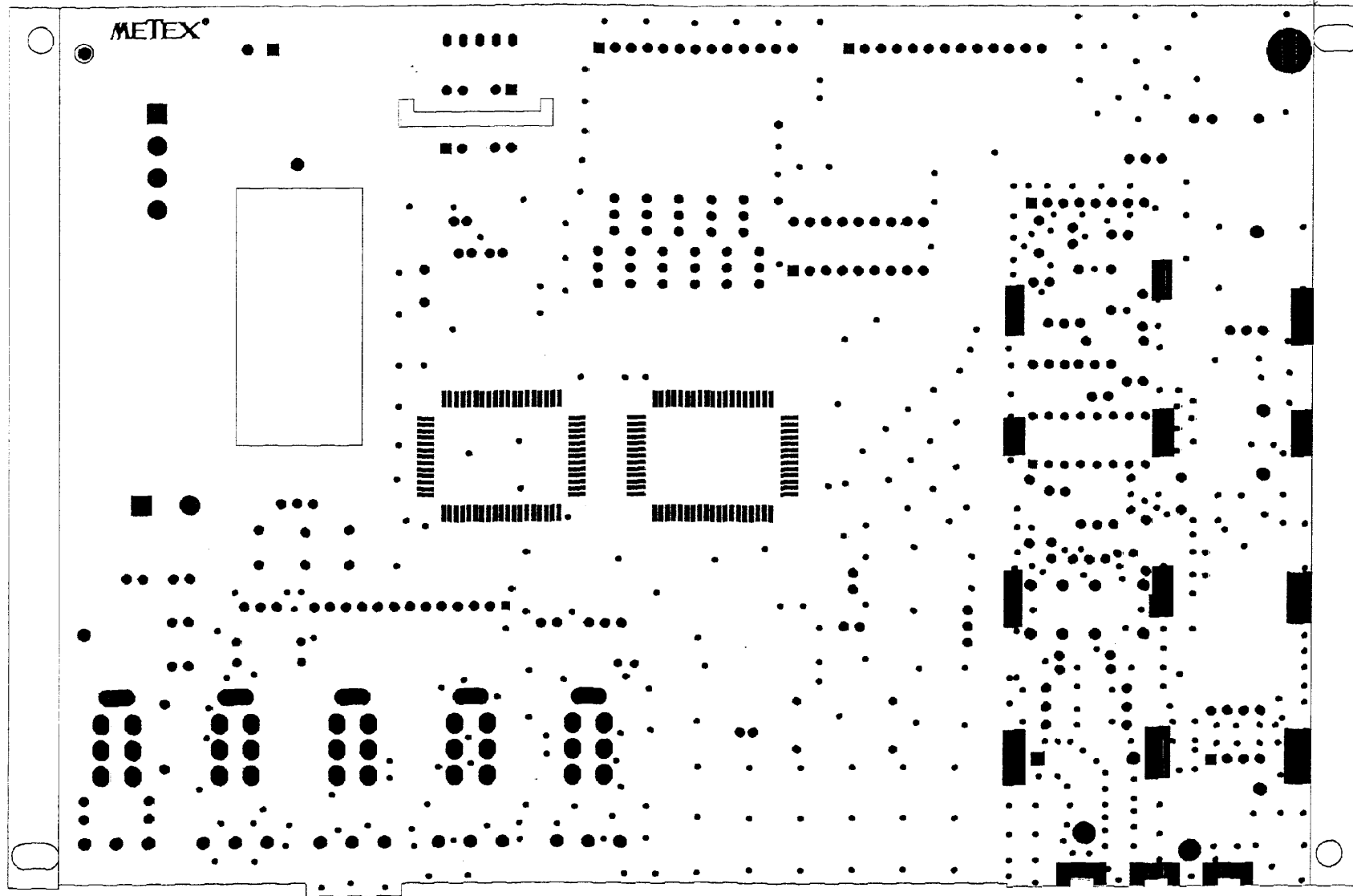


Handwritten signature or initials



195.6 mm

V-CUT



139.1 mm

TOP SIDE SOLDER MASK

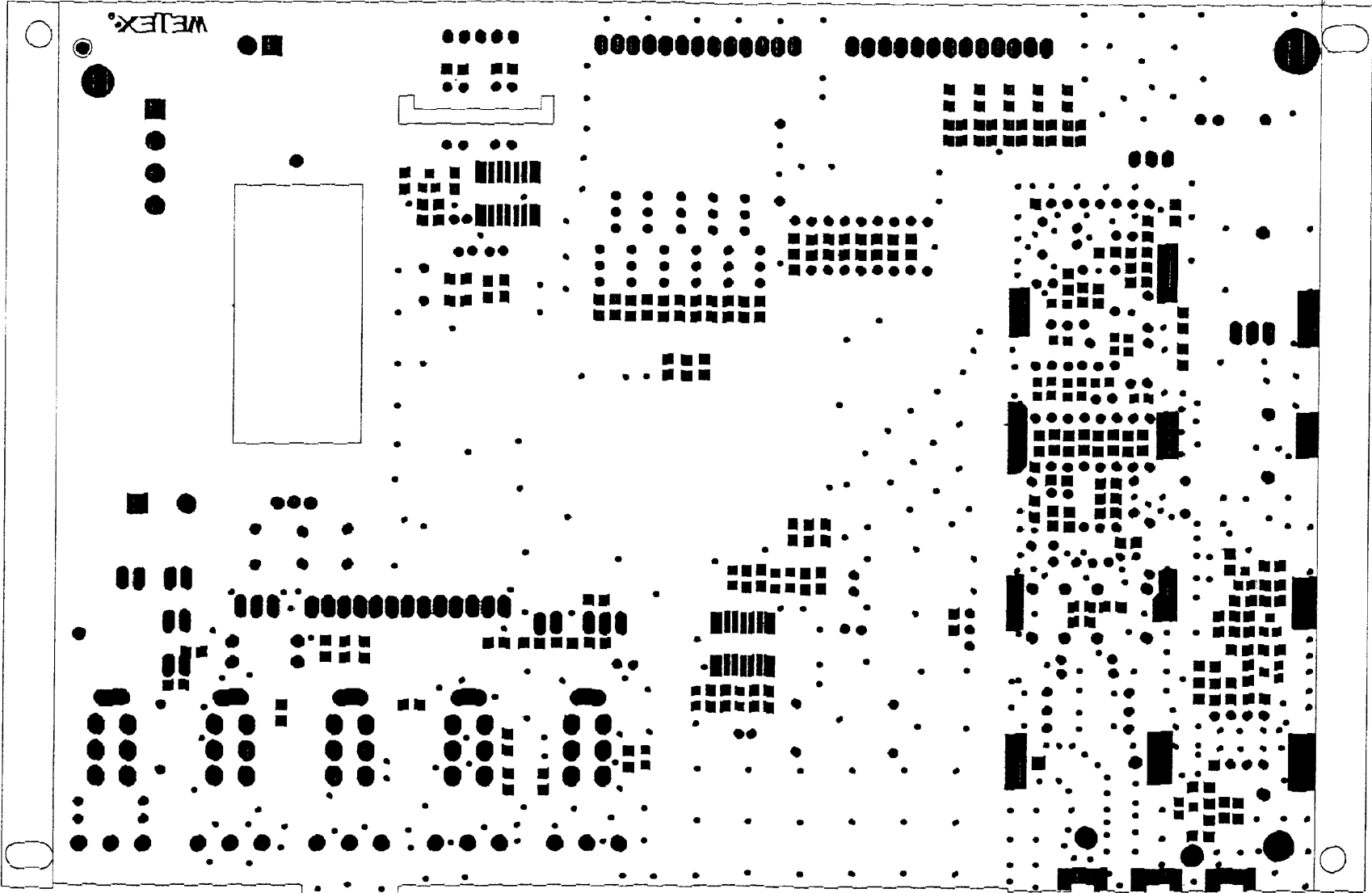


1999.7.22

195.6 mm

v-CJT

WEJEX



139.1 mm

BOTTOM SIDE SOLDER MASK

M. S. M.



195.6 mm

V-CUT

139.1 mm

1	2	3	4	5	6	7	8	9	10	11	12	13	14	15	16	17	18	19	20	21	22	23	24	25	26	27	28	29	30	31	32	33	34	35	36	37	38	39	40	41	42	43	44	45	46	47	48	49	50	51	52	53	54	55	56	57	58	59	60	61	62	63	64	65	66	67	68	69	70	71	72	73	74	75	76	77	78	79	80	81	82	83	84	85	86	87	88	89	90	91	92	93	94	95	96	97	98	99	100
---	---	---	---	---	---	---	---	---	----	----	----	----	----	----	----	----	----	----	----	----	----	----	----	----	----	----	----	----	----	----	----	----	----	----	----	----	----	----	----	----	----	----	----	----	----	----	----	----	----	----	----	----	----	----	----	----	----	----	----	----	----	----	----	----	----	----	----	----	----	----	----	----	----	----	----	----	----	----	----	----	----	----	----	----	----	----	----	----	----	----	----	----	----	----	----	----	----	----	-----

0.7 X 4.7 X 36A

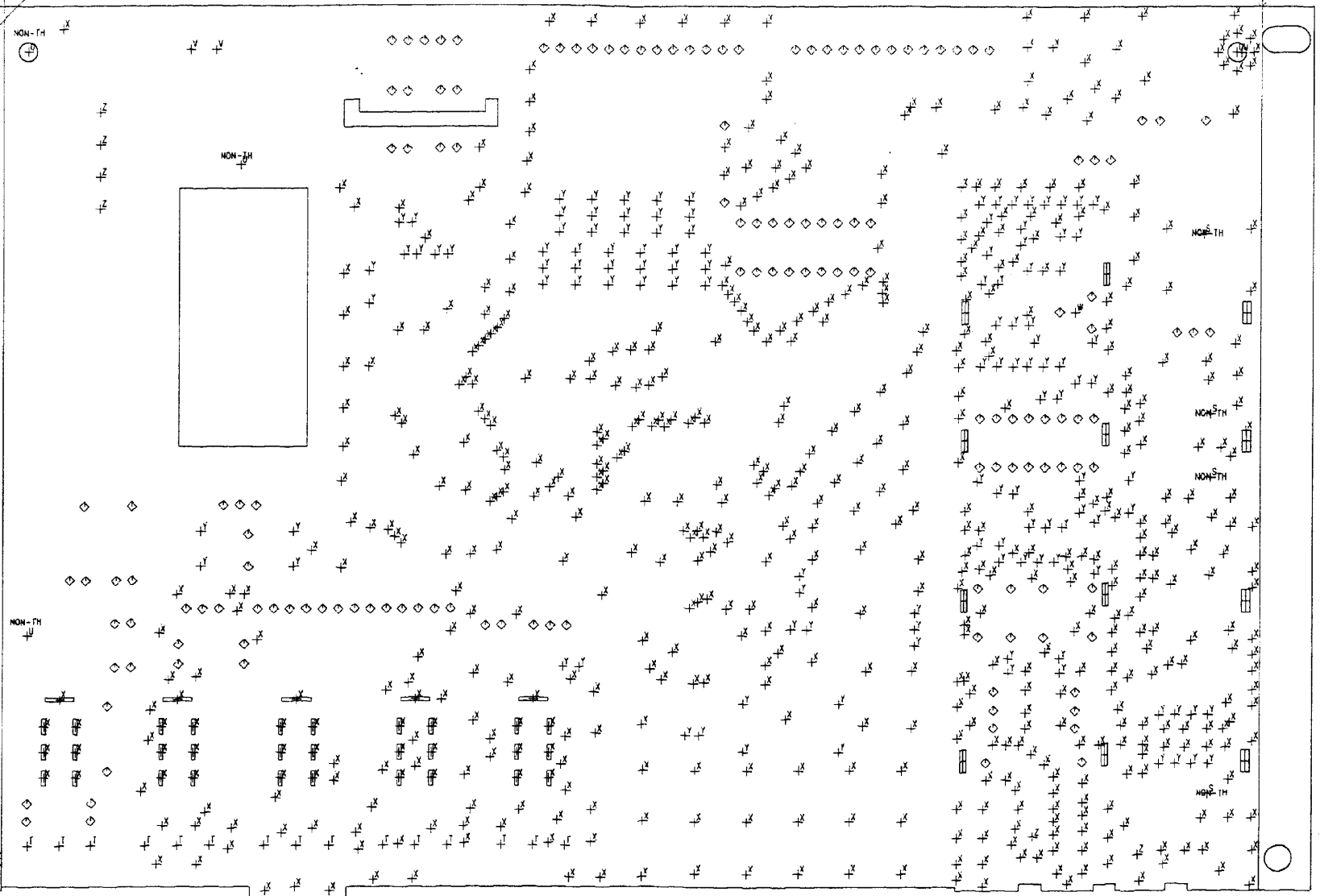
0.7 X 2.4 X 36A

3.0
3.25

3.5 X 1.1 6EA

3.5 X 1.2 4EA

8.0
5.0
0.75
NON-1



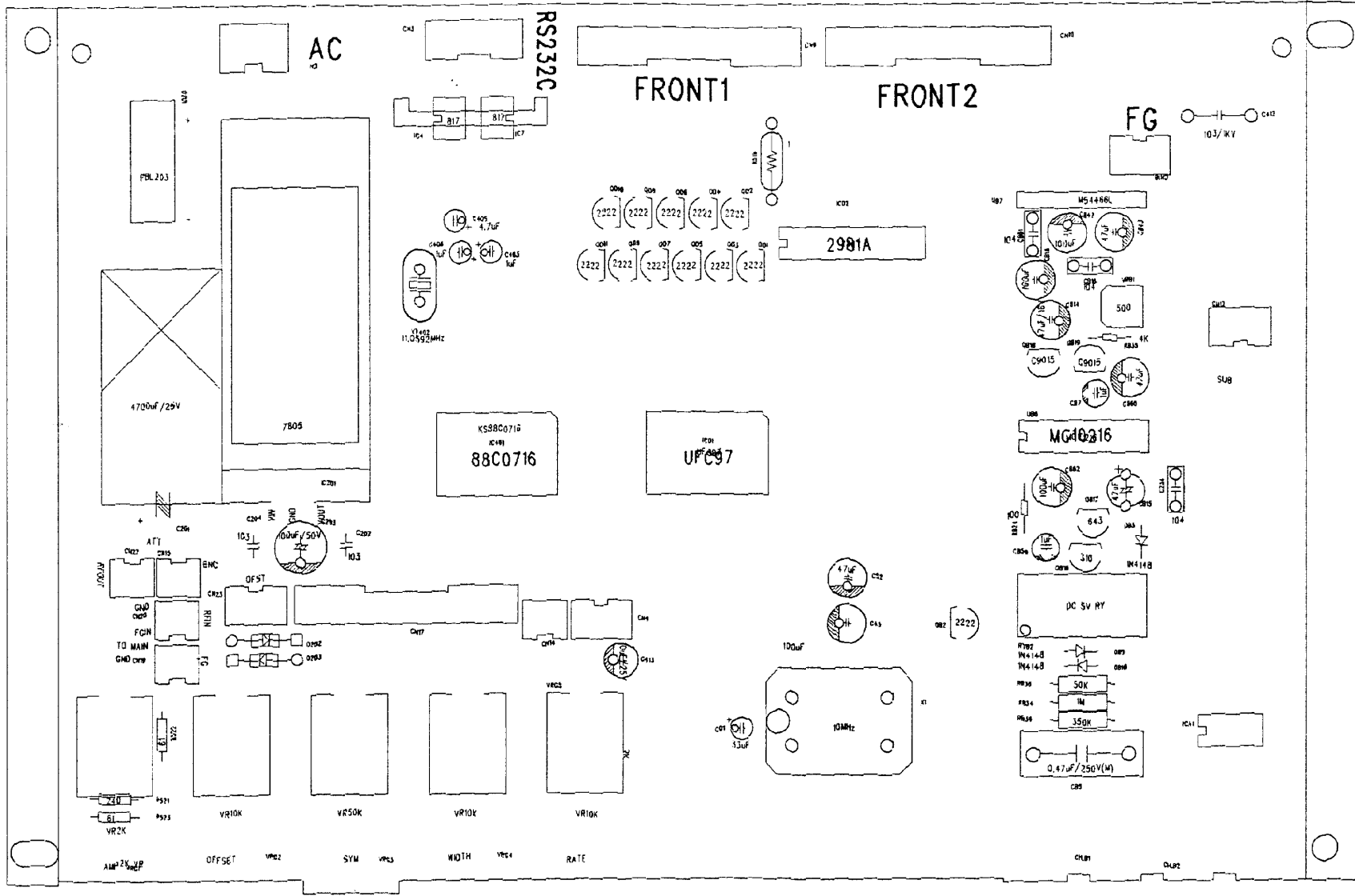
DRILL DATA

Handwritten signature



195.6 mm

V-CUT



139.1 mm

TOP SIDE SILK SCREEN

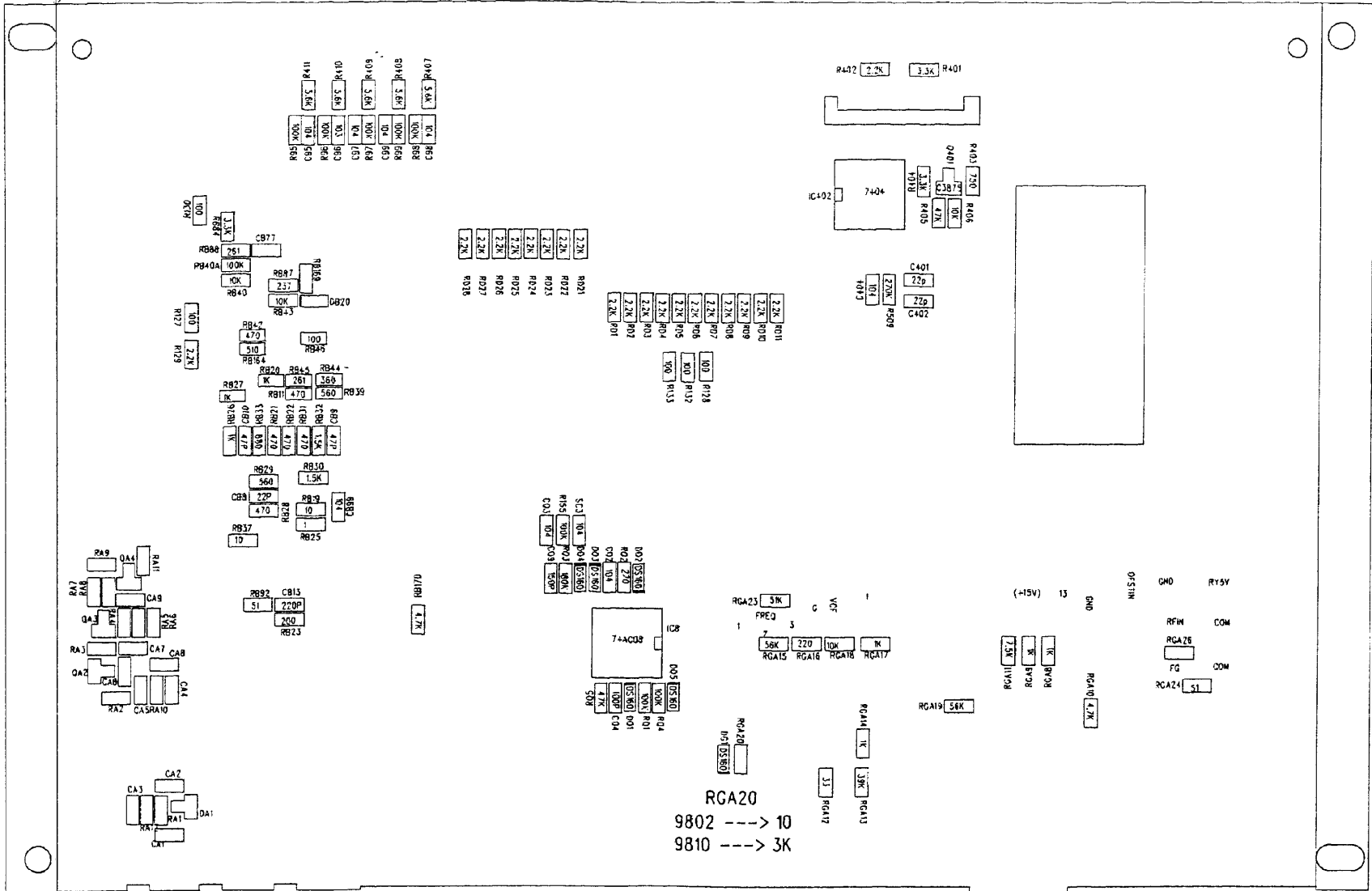


Handwritten signature and date: 2007.7.22

TUC-V

mm 3.201

1301 um



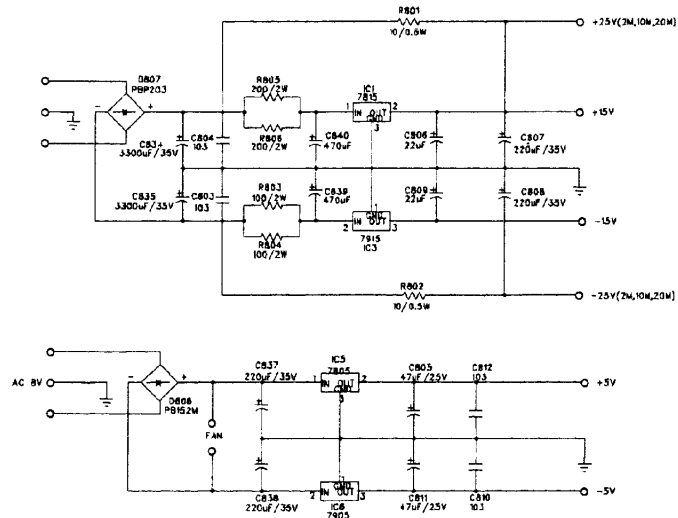
BOTTOM SIDE SILK SCREEN

RCA20
 9802 ----> 10
 9810 ----> 3K

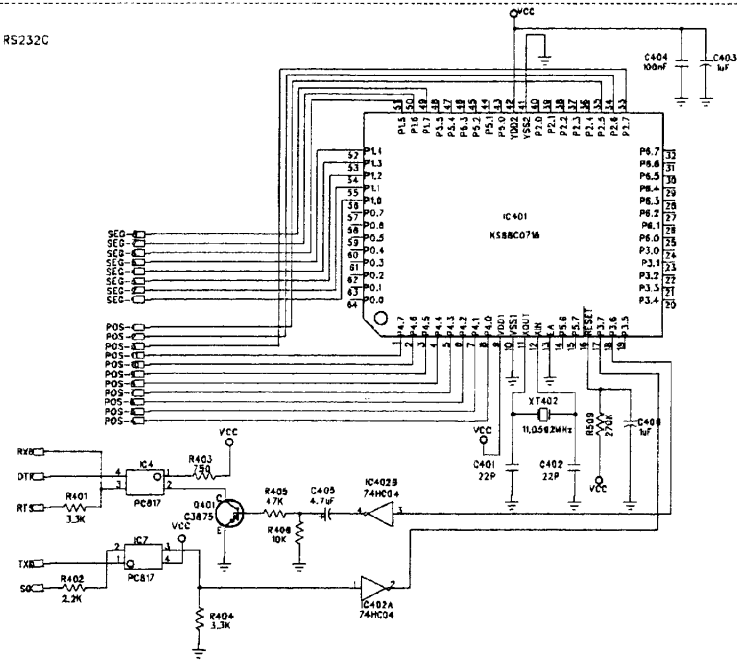
Handwritten signature/initials



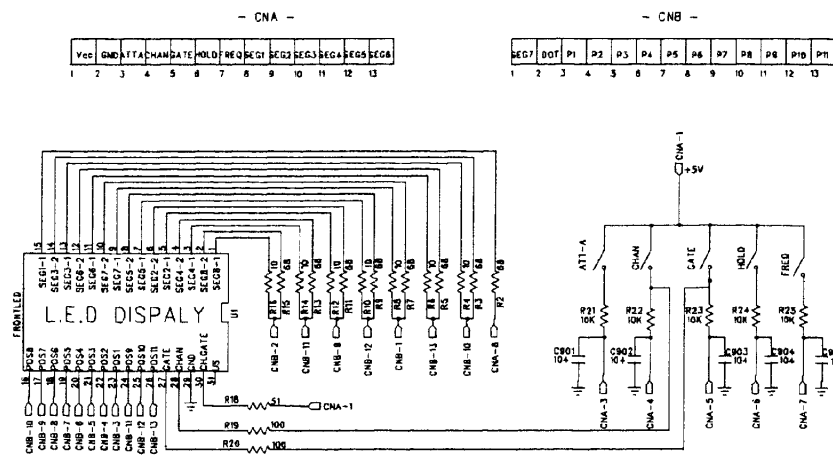
FG POWER



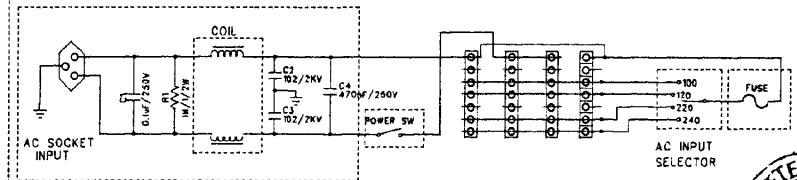
BENCH TYPE RS232C



FRONT

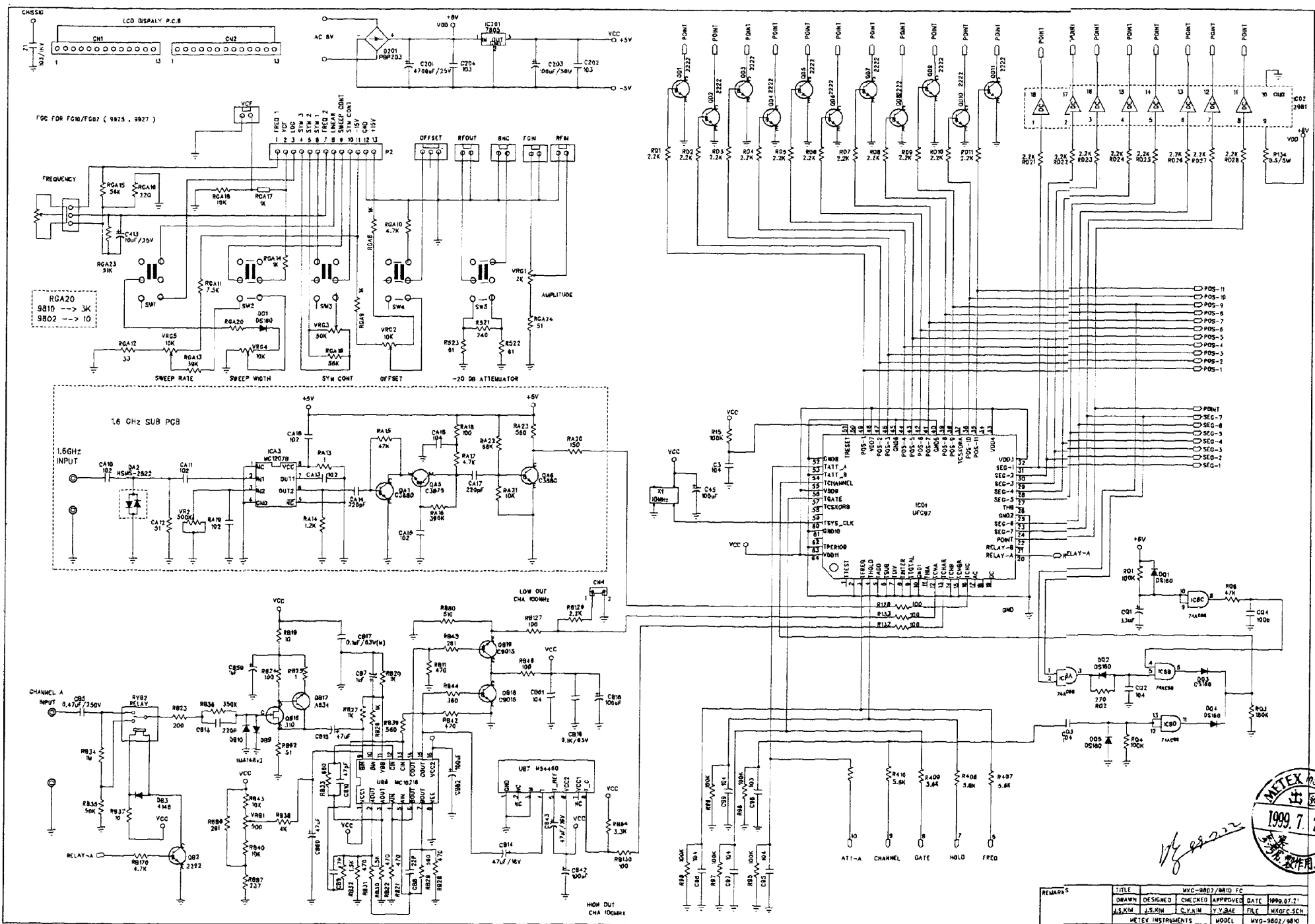


FILTER

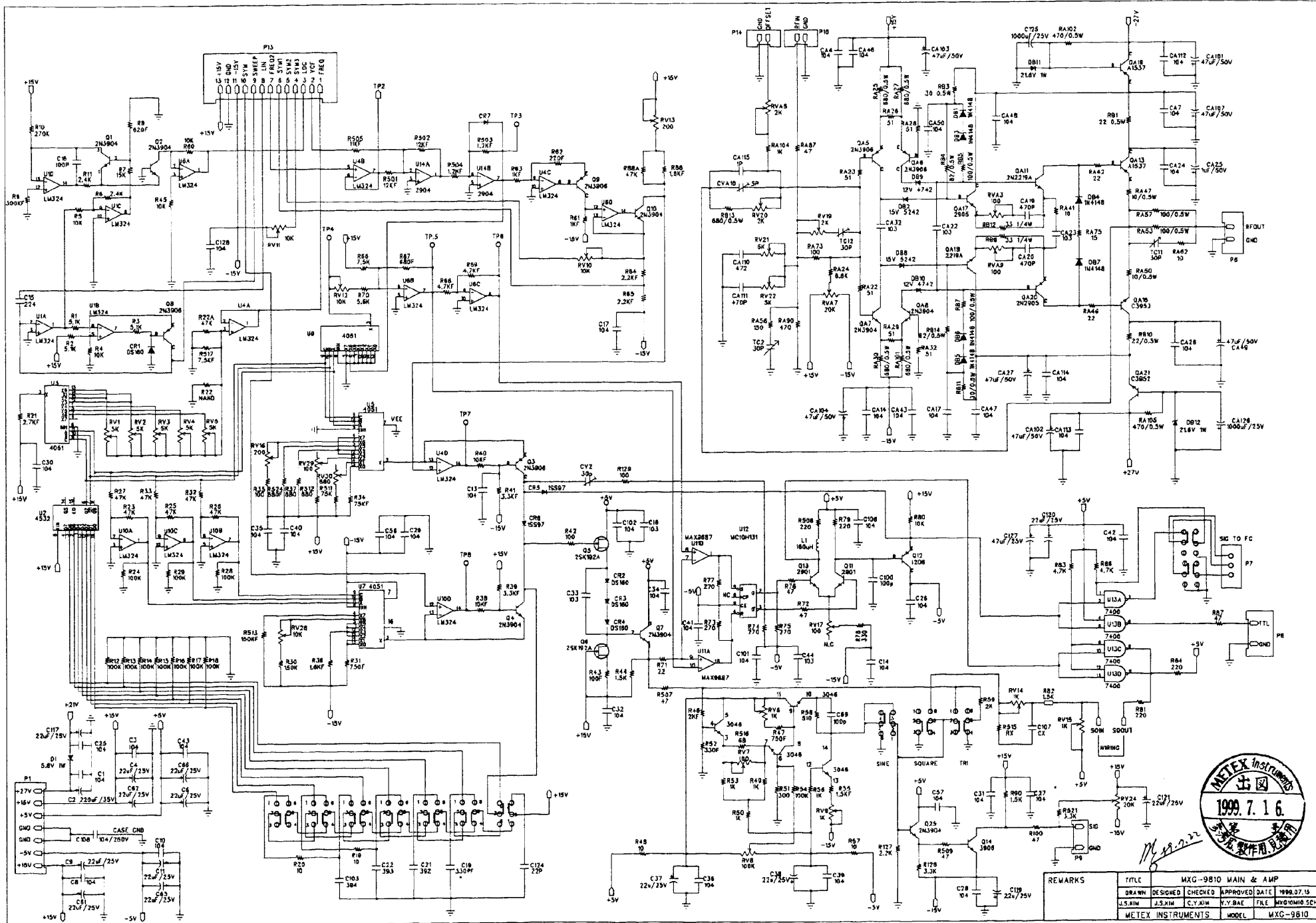


REMARKS		TITLE	FRONT,RS232C, FG POWER, FILTER						
DRAWN	J.S.KIM	DESIGNED	J.S.KIM	CHECKED	C.Y.KIM	APPROVED	Y.Y.BAE	DATE	1999.07.20
MTEX INSTRUMENTS		MODEL			FILE	BFQSUBSCH			
				MODEL	MXG-9802/9810				



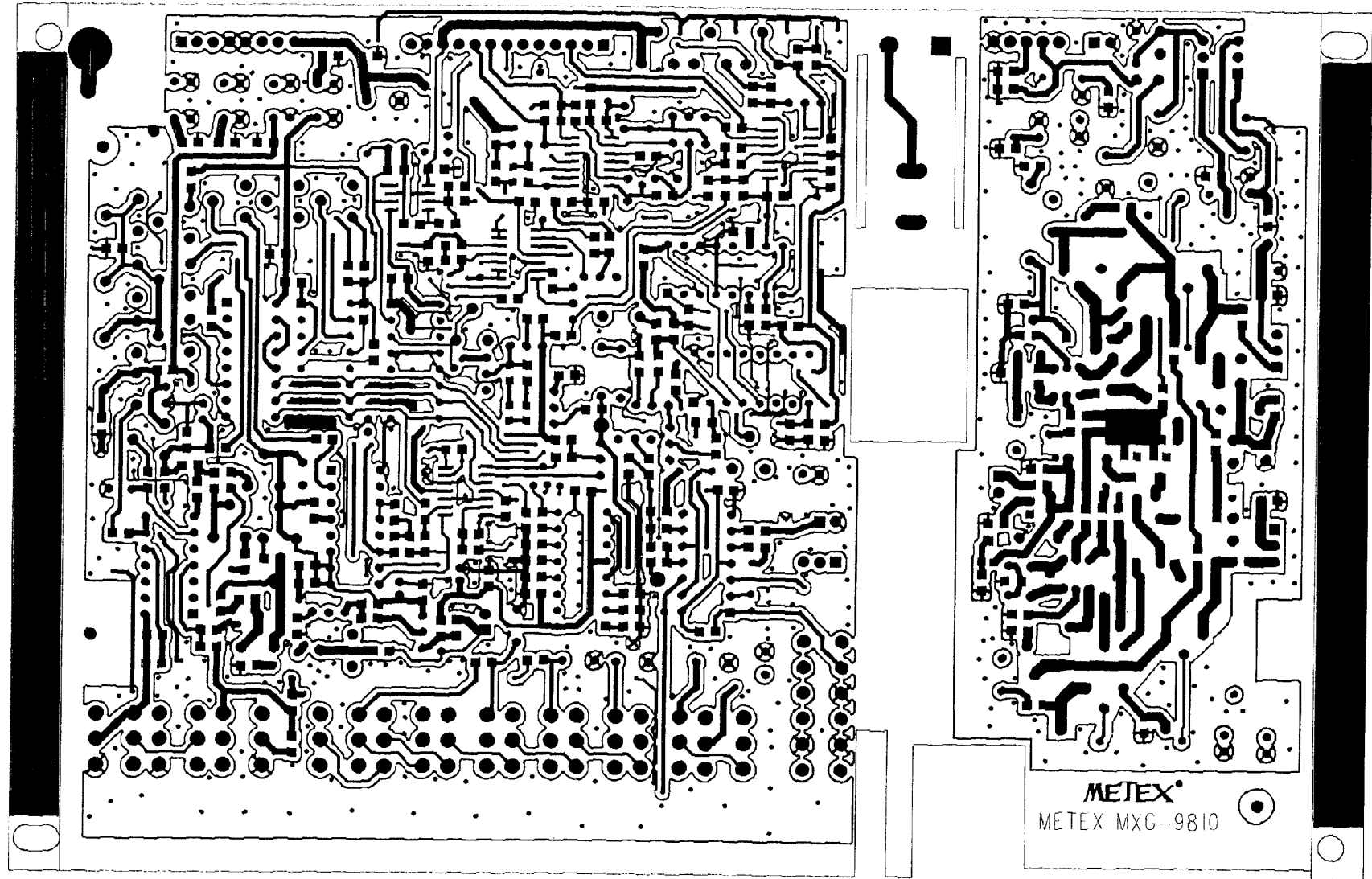


REMARKS		TITLE				MYC-8802/8810 FC	
DRAWN	J.S.M.W.	DESIGNED	CHECKED	APPROVED	DATE	1999.07.21	
						FILE MKGFC.SCH	
						MODEL MYC-8802/8810	



REMARKS		TITLE				
U.S.X.M	J.S.X.M	C.Y.X.M	F.Y.B.A.E	FILE	NO.10100.SCH	MXG-9810 MAIN & AMP
DESIGNED	CHECKED	APPROVED	DATE	1999.07.15		
U.S.X.M	J.S.X.M	F.Y.B.A.E	FILE	NO.10100.SCH		
METEX INSTRUMENTS	MODEL	MXG-9810				

195.0 mm



METEX
METEX MXG-9810

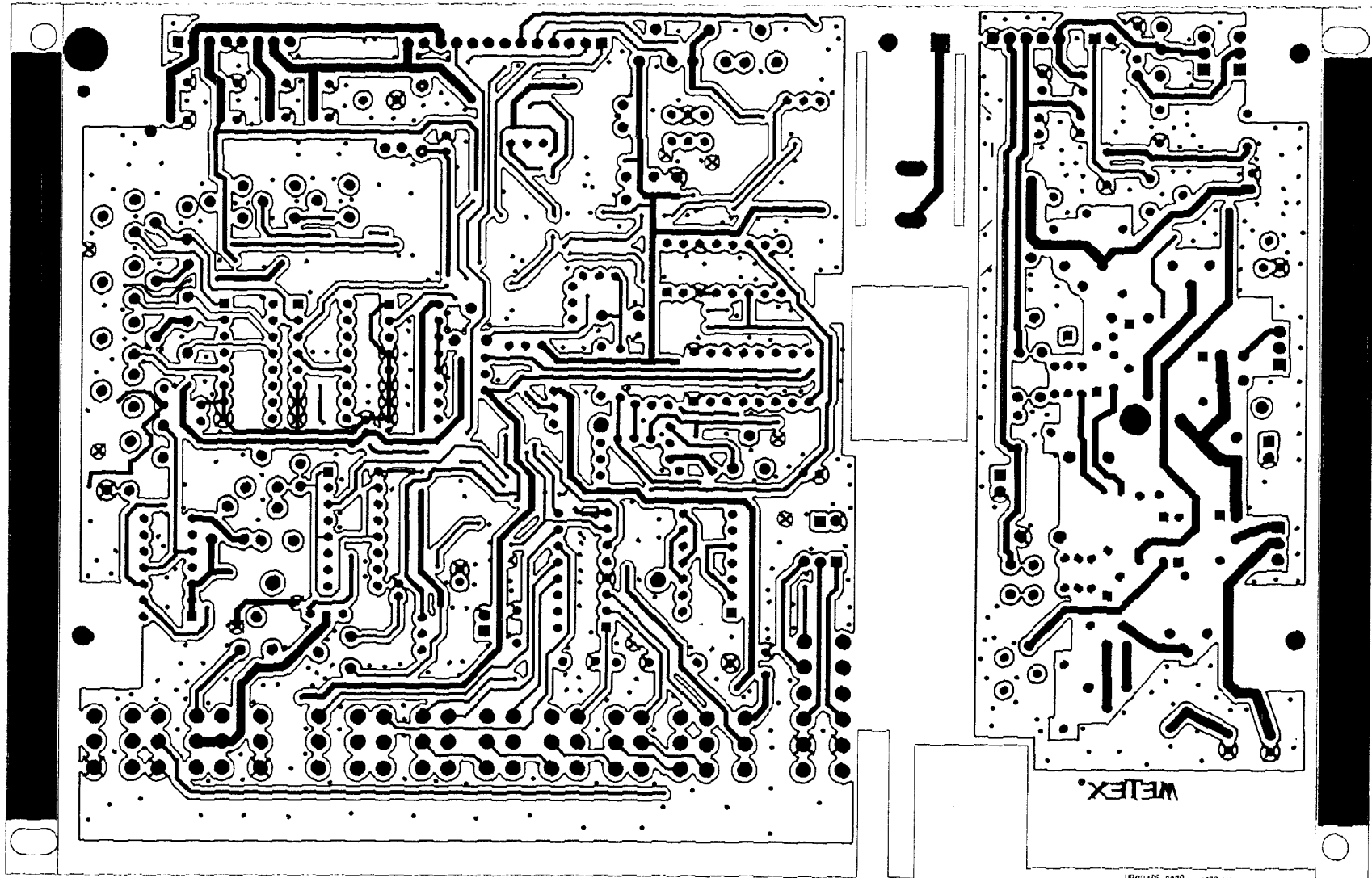
135.0 mm

TOP SIDE PATTERN

Handwritten signature or initials



195.0 mm



135.0 mm

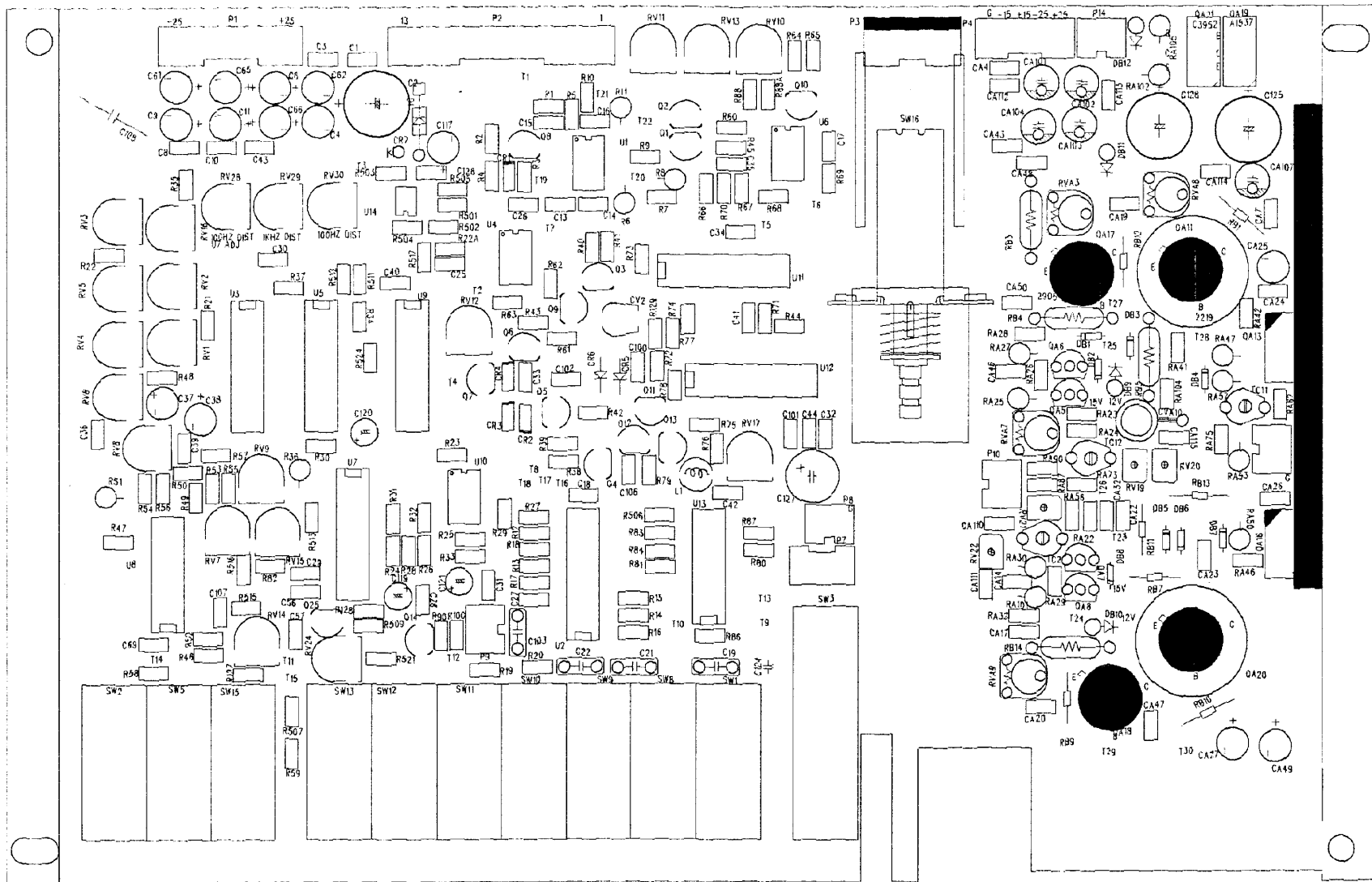
WELEX.

UPGRADE 9370 1999.6.2

17/ 99.7.22



195.0 mm



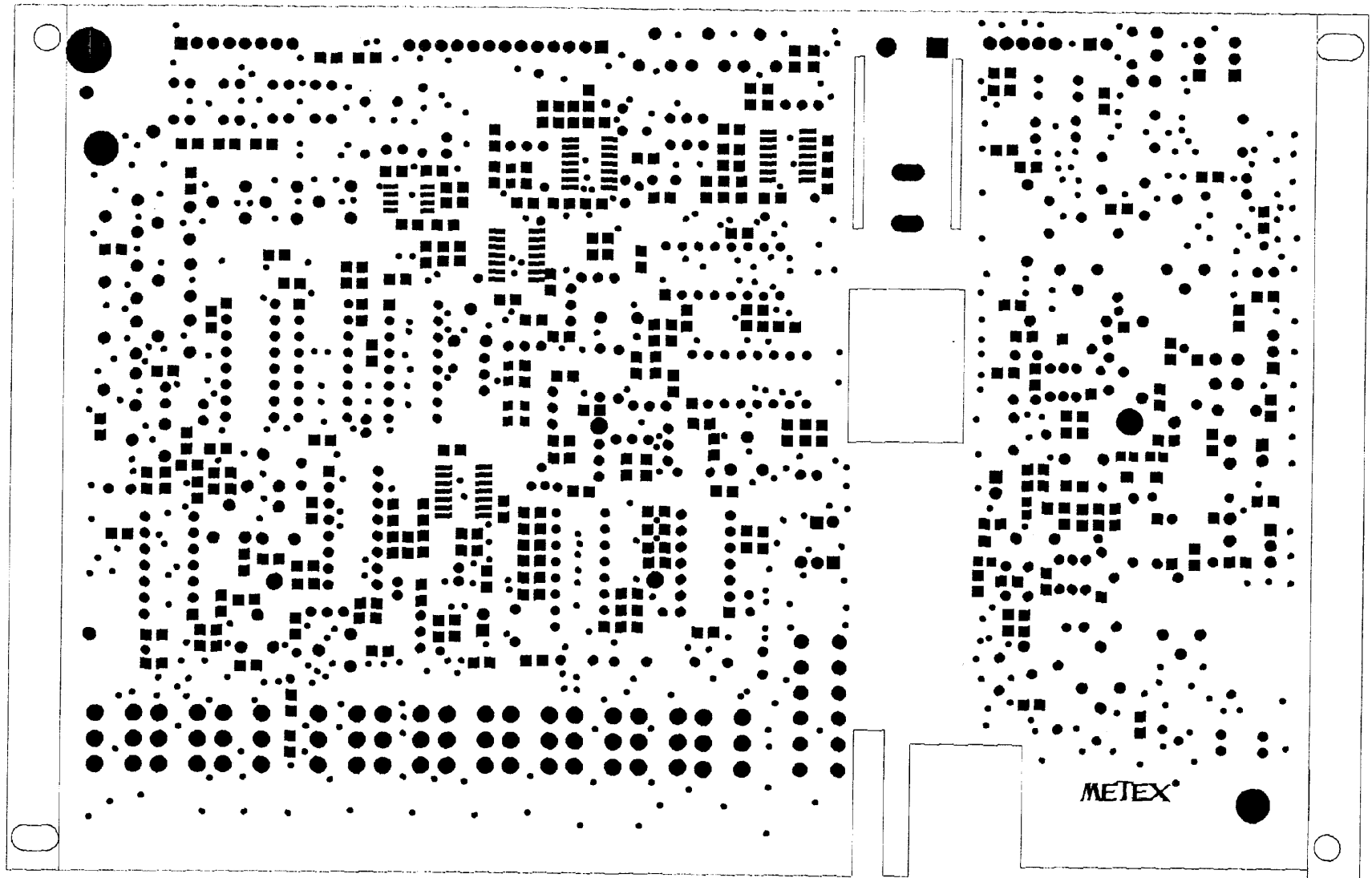
135.0 mm

TOP SILK SCREEN

Handwritten signature and date: 1999.7.22



195.0 mm



135.0 mm

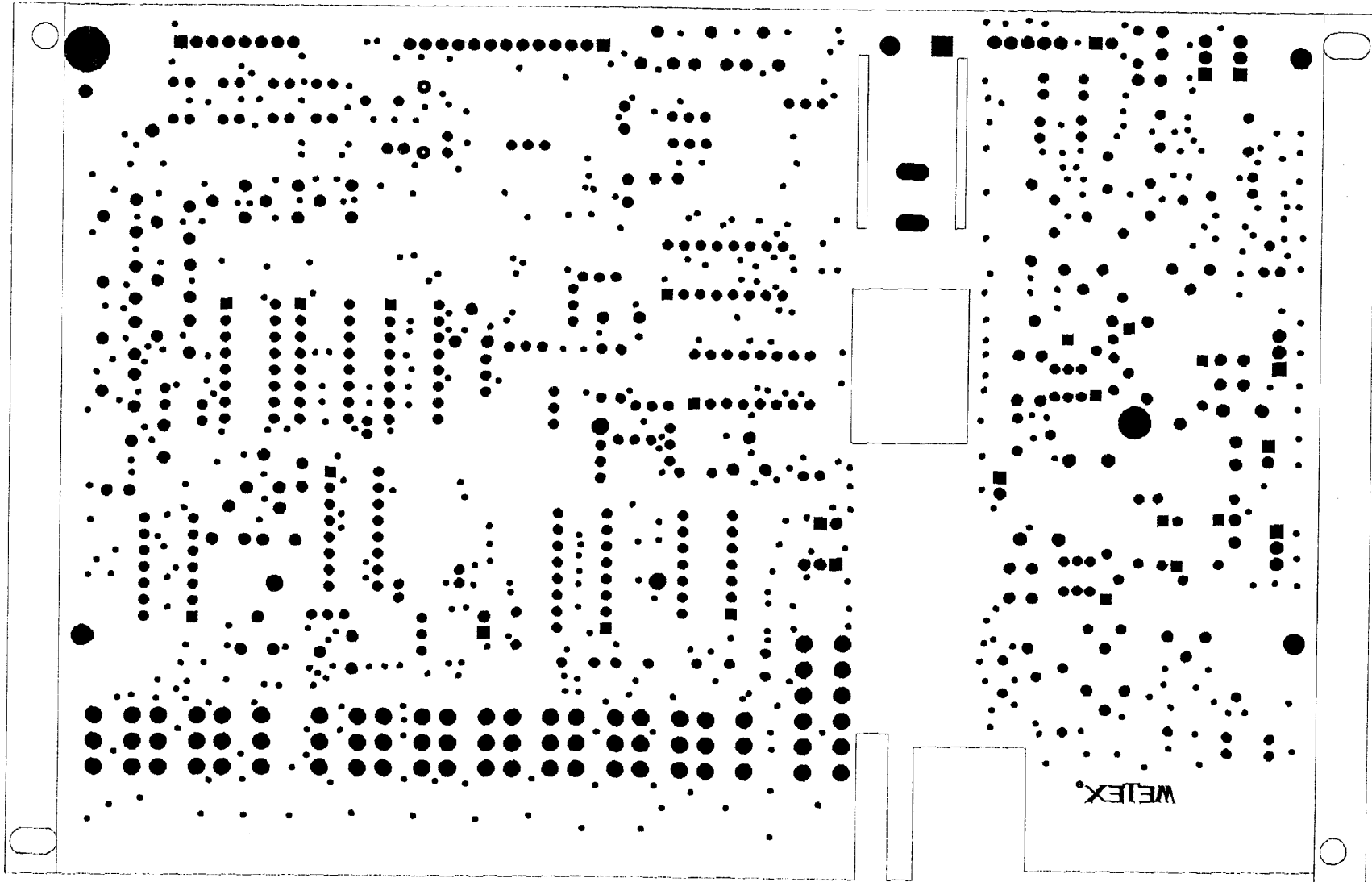
METEX

TOP SIDE SOLDER MASK

Handwritten signature and date: 98.7.22



195.0 mm



135.0 mm

WEJEX

BOTTOM SIDE SOLDER MASK

Mg 99-7-22



