

PARTS LIST

코드 : 700-0216 MODEL : F.G. (MXG-9802)

P/L구분 : 코 REVISION DATE : 1999. 05. 08. (No. : 05TH)

레벨	품목코드	품목명	규격	단위	Q'TY	PART - NO	업체명	비고
01-----	316-0101	PCB ASS'Y	MXG-9802(PCB ASS'Y)	SET	1			
02-----	316-0201	FRONT PCB ASS'Y	MXG9802(FRONT PCB ASS'Y)	SET	1			
03-----	316-0301	FRONT PCB CHIP MOUNT	MXG9802(FRONT PCB CHIP MOUNT)	SET	1			
04---	037-0168	CHIP R.	MCR 10J EZH 2012 10Ω	EA	7	R4,R6,R8,R10,R12,R14,R16		
04---	037-0169	CHIP R.	MCR 10J EZH 2012 51Ω	EA	9	R2,R3,R5,R7,R9,R11,R13,R15,R18		
04---	035-0218	P.C.B.	MXG(F) FR4 D/S (194×40×1.6t)	EA	1		라미전자	
04---	037-0170	CHIP R.	MCR 10J EZH 2012 100Ω	EA	2	R19,R20		
04---	037-0135	CHIP R.	MCR 10J EZH 2012 10 kΩ	EA	5	R21~R25		
04---	008-0101	CHIP CERAMIC CAP.	GMC21xY5V104Z50N1M(104p/50V)	EA	5	C1~C5		
03-----	316-0302	FRONT PCB INSERT	MXG-9802(FRONT PCB INSERT)	SET	1			
04---	012-0612	WAFER	YW025-13	EA	2			
04---	045-0501	TACT SWITCH	KPT-1105T	EA	5	SW1~SW5		
04---	028-0304	LED DISPLAY	KLS-106MT1	EA	1	FD1		
02-----	316-0202	F.G. MAIN PCB ASS'Y	MXG9802(F.G. PCB ASS'Y)	SET	1			
03-----	316-0303	F.G. MAIN PCB CHIP MOUNT	MXG9802(F.G. MAIN PCB CHIP MOUNT)	SET	1			
04---	008-0104	CHIP CERAMIC CAP.	GMC21x7R103K50N1F(103p/50V)	EA	25	C1,C2,C5,C7,C9,C14,C23,C28,C31 C33,C27,C35,C36,C38,C83,C104, CA46~50,CA52,CA68,CA75		
04---	008-0105	CHIP CERAMIC CAP.	GMC21xCG330J50N1F(33p/50V)	EA	2	C20,C21		
04---	008-0101	CHIP CERAMIC CAP.	GMC21xY5V104Z50N1M(104p/50V)	EA	11	C11,C101,CA54,CA70,CA57,CA59,CA81,CA56 CA71,CA74,CA84		
04---	016-0109	SWITCHING DIODE	KDS160	EA	6	D1~D6		
04---	026-1001	I.C.	NJM324M	EA	4	IC4~IC6,IC15		
04---	008-0127	CHIP CERAMIC CAP.	GMC21COG151J50N1(150pF/50V)	EA	1	C30		
04---	008-0107	CHIP CERAMIC CAP.	GMC21COG101D50N1F(100P/50V)	EA	1	C34		
04---	008-0120	CHIP CERAMIC CAP.	GMC21x1COG680D50N1F(68p/50)	EA	1	C22		
04---	008-0133	CHIP CERAMIC CAP	GMC21COG391J50N1F(390p/50V)	EA	1	C105		
04---	037-0168	CHIP R.	MCR 10J EZH 2012 10Ω	EA	6	R1,R2,RA74,RA91,RA92,R110		
04---	037-0105	CHIP R.	MCR 10J EZH 2012 22Ω	EA	3	RA97,RA102,RA104		
04---	037-0106	CHIP R.	MCR 10J EZH 2012 47Ω	EA	3	R14,RA99,R204		
04---	037-0170	CHIP R.	MCR 10J EZH 2012 100Ω	EA	4	RA101,RA118,R213,R214		
04---	037-0155	CHIP R.	MCR 10F EZH 2012 100Ω	EA	1	R36		
04---	037-0110	CHIP R.	MCR 10J EZH 2012 220Ω	EA	3	R17,R89,R49		
04---	037-0146	CHIP R.	MCR 10F EZH 2012 330Ω	EA	1	R26		
04---	037-01B8	CHIP R.	MCR 10J EZH 2012 330Ω	EA	1	R25		
04---	037-0173	CHIP R.	MCR 10J EZH 2012 470Ω	EA	1	RA100		
04---	037-0176	CHIP R.	MCR 10J EZH 2012 680Ω	EA	1	R72		
04---	037-0115	CHIP R.	MCR 10J EZH 2012 750Ω	EA	2	R13,RA115		
04---	037-0177	CHIP R.	MCR 10J EZH 2012 1KΩ	EA	10	R18~22,R29,R33,R50,R48,RA121		
04---	037-0178	CHIP R.	MCR 10J EZH 2012 1.5KΩ	EA	2	R23,R35		
04---	037-01B3	CHIP R.	MCR 10J EZH 2012 1.8kΩ	EA	1	R45		

PARTS LIST

코드 : 700-0216 MODEL : F.G. (MXG-9802)

P/L구분 : K REVISION DATE : 1999. 05. 08. (No. : 5TH)

레벨	품목코드	품목명	규격	단위	Q'TY	PART - NO	업체명	비고
04---	037-0197	CHIP R.	MCR 10J EZH 2012 2kΩ	EA	1	R28		
04---	037-0184	CHIP R.	MCR 10J EZH 2012 2.2kΩ	EA	4	R69,R82,RA114,R216		
04---	037-0132	CHIP R.	MCR 10F EZH 2012 2.2kΩ	EA	4	R52,R53,R65,RA103		
04---	037-0186	CHIP R.	MCR 10J EZH 2012 3.9k	EA	1	RA94		
04---	037-01G4	CHIP R.	MCR 10J EZH 2012 4.7kΩ	EA	4	RA93,RA95,R15,R217		
04---	037-0114	CHIP R.	MCR 18J EZH 3216 5.1kΩ	EA	3	R66,R68,R92		
04---	037-0135	CHIP R.	MCR 10J EZH 2012 10 kΩ	EA	11	R46,R51,R67,R70,R74,R75,R218,R219,RA106,RA107,RA108		
04---	037-01B0	CHIP R.	MCR 10J EZH 2012 12kΩ	EA	1	R47		
04---	037-0195	CHIP R.	MCR 10J EZH 2012 15kΩ	EA	1	R73		
04---	037-0200	CHIP R.	MCR 10J EZH 2012 47K	EA	6	R56,R57,R58,R77,R79,R90		
04---	037-0150	CHIP R.	MCR 10J EZH 2012 100 kΩ	EA	11	R12,R78,R80,R81,R37~43		
04---	037-0158	CHIP R.	MCR 10J EZH 2012 330KΩ	EA	1	R71		
04---	037-0174	CHIP R.	MCR 10J EZH 2012 510Ω	EA	4	R24,R203,R205,R206		
04---	037-01B9	CHIP R.	MCR 10F EZH 2012 360Ω	EA	1	RA96		
04---	037-01C1	CHIP R.	MCR 10F EZH 2012 1.1kΩ	EA	1	R34		
04---	037-0129	CHIP R.	MCR 10F EZH 2012 2kΩ	EA	1	R27		
04---	037-01C2	CHIP R.	MCR 10J EZH 2012 8.2kΩ	EA	1	RA111		
04---	037-01C5	CHIP R.	MCR 10J EZH 2012 220kΩ	EA	1	R54		
04---	037-01C8	CHIP R.	MCR 10J EZH 2012 2.7kΩ	EA	1	R55		
04---	037-0145	CHIP R.	MCR 10F EZH 2012 11kΩ	EA	2	R31,R44		
04---	037-0171	CHIP R.	MCR 10J EZH 2012 200Ω	EA	4	RA98,R212,R215,R211		
04---	037-01A3	CHIP R.	MCR 10J EZH 2012 120kΩ	EA	1	R63		
04---	037-0163	CHIP R.	MCR 10J EZH 2012 1 MΩ	EA	1	R202		
04---	008-0103	CHIP CERAMIC CAP.	GMC21xCG221J50N1F(220p/50V)	EA	1	C69		
04---	008-0134	CHIP CERAMIC CAP	GMC21COG560J50N1F(56pF/50V)	EA	1	C39		
04---	037-01C0	CHIP R.	MCR 10F EZH 2012 390Ω	EA	2	R30,R32		
04---	037-01R5	CHIP R.	MCR 10F 2012 EZH 820Ω	EA	1	R64		
04---	037-01B5	CHIP R.	MCR 10J EZH 2012 270kΩ	EA	1	R76		
03-----	316-0304	F.G. MAIN INSERT	MXG-9802(F.G. MAIN INSERT)	SET	1			
04---	035-0240	P.C.B.	MXG9802(FGM) FR4 D/S (195×138	EA	1		라미전자	
04---	026-1702	I.C.	MC14051BCP	EA	3	IC7,IC9,IC10		
04---	026-1301	I.C.	MC14532BCP	EA	1	IC11		
04---	026-2001	I.C.	SN75107AN	EA	1	IC3		
04---	008-0367	E.C	47μF/35V(5x7)	EA	21	C3,C4,C6,C8,C13,C10,C19,C37,C102,C103 C106,CA55,CA77,CA78,CA82,CA91,CA92,CA93, CA94,CA51		
04---	008-0708	M.P.F.C.	225/63V MMY-160(2.2μF/63V K)	EA	1	C24		
04---	008-0702	M.P.F.C.	224/63V MMY-168(63V 0.22μF)	EA	2	C25,C32		
04---	008-0709	M.P.F.C.	223/63V MMY-168(0.022μF/63V K)	EA	1	C26		
04---	008-0710	M.P.F.C.	222/63V MMY-168(0.002μF/63V)	EA	1	C29		

PARTS LIST

코드 : 700-0216 MODEL : F.G.(MXG-9802)

P/L구분 : 可 REVISION DATE : 1999. 05. 08. (No. : 5TH)

레벨	품목코드	품목명	규격	단위	Q'TY	PART - NO	업체명	비고
04---	008-0201	CERAMIC CAP.	221/50V(220pF/50V)	EA	2	CA80,CA98		
04---	008-0403	MYLAR CAP.	104/250V(100nF/250V)	EA	1	CX1		
04---	008-0903	TRIMMER CAP.	5P 6φ	EA	1	CVA1		
04---	045-0402	POWER SWITCH	V-SY-K14SV33A	EA	1	SW2		
04---	045-0504	PUSH SWITCH	SPUN19x1M021(SPEC 4C2P 1KEY)	EA	1	SW3		
04---	045-0507	PUSH SWITCH	SPUN30x1C071(SPUN 2C2P 3KEY)	EA	1	SW4		
04---	045-0508	PUSH SWITCH	SPUN70x1C071(SPUN 2C2P 7KEY)	EA	1	SW1		
04---	049-0110	TRANSISTOR	2N3904	EA	11	TR6,TR10,TR11,TR14,TR15,TRA15~ TRA17,TRA20,TRA21,TR16		
04---	049-0109	TRANSISTOR	2N3906	EA	6	TR9,TR12,TR13,TRA18,TRA19,TRA23		
04---	049-0201	F.E.T.	2SK192A	EA	2	TR7,TR8		
04---	049-0146	TRANSISTOR	2SC3952D/E	EA	2	TRA22,TRA31		
04---	049-0145	TRANSISTOR	2SA1537D/E	EA	2	TRA24,TRA32		
04---	024-0109	HEAT SINK	MXG9810(35×75×4t)	EA	1	Q13A		
04---	042-0103	I.C. SOCKET	WSD1F-14T	EA	2	IC1A,IC3A		
04---	012-0601	WAFER	YW025-02	EA	5	CN11,P5,CN12,CN13,CN14		
04---	012-0602	WAFER	YW025-03	EA	1	CN5		
04---	012-0604	WAFER	YW025-05	EA	1	CN3		
04---	012-0607	WAFER	YW025-08	EA	1	P1		
04---	012-0612	WAFER	YW025-13	EA	1	P2		
04---	123-0166	WIRE	130m/m(BLACK)	EA	1	W1		
04---	037-1225	M.G.V.R.	200Ω(687A)	EA	3	VR12,VR106,VR107		
04---	037-1222	M.G.V.R.	1K(687A)	EA	4	VR3,VR4,VR6,VR104		
04---	037-1223	M.G.V.R.	2K(687A)	EA	2	VR100,VR110		
04---	037-1229	M.G.V.R.	5K(687A)	EA	9	VR7~VR11,VR13,VR14,VR102,VR108		
04---	037-1219	M.G.V.R.	100KΩ(687A)	EA	1	VR2		
04---	037-1304	M.G.V.R.	100Ω(687A)	EA	1	VR5		
04---	037-0401	C.F.R.	1/2W J 10Ω	EA	4	RA112,RA113,RR106,RR107		
04---	037-0403	C.F.R.	1/2W J 100Ω	EA	2	RR61,RR62		
04---	037-2041	C.F.R.	1/2W J 1.2KΩ	EA	2	RA78,RA105		
04---	026-0403	I.C.	SN7400N	EA	1	IC1		
04---	026-1901	I.C.	CA3046	EA	1	IC2		
04---	012-0620	WAFER	YW396-03V	EA	1	CN4		
04---	037-0267	C.F.R.	1/4W J 33Ω	EA	1	R93		
04---	016-0612	ZENER DIODE	21.6 1W	EA	3	ZD4~ZD6		
04---	037-0516	M.F.R.	1/2W F 470Ω	EA	3	RA119,RA120,RR108		
04---	008-0369	E.C	1000μF/25V	EA	2	CA95,CA96		
04---	037-1234	M.G.V.R.	50kΩ(687A)	EA	1	VR109		
02-----	316-0203	F.G.C. PCB ASS'Y	MXG9802(F.G.C. PCB ASS'Y)	SET	1			
03-----	316-0305	F.G.C. CHIP MOUNT	MXG9802(F.G.C. CHIP MOUNT)	SET	1			
04---	008-0103	CHIP CERAMIC CAP.	GMC21xCG221J50N1F(220p/50V)	EA	1	CB13		

PARTS LIST
=====

코드 : 700-0216 MODEL : F.G. (MXG-9802)

P/L구분 : 可 REVISION DATE : 1999. 05. 08. (No. : 05TH)

레벨	품목코드	품목명	규격	단위	Q'TY	PART - NO	업체명	비고
04---	008-0106	CHIP CERAMIC CAP.	GMC21xCG220J50N1F(22p/50V)	EA	3	CB8,C401,C402		
04---	037-0167	CHIP R.	MCR 10J EZH 2012 1Ω	EA	1	RB25		
04---	037-0178	CHIP R.	MCR 10J EZH 2012 1.5KΩ	EA	2	RB30,RB32		
04---	037-0168	CHIP R.	MCR 10J EZH 2012 10Ω	EA	3	RB37,RB19,RGA20		
04---	037-0170	CHIP R.	MCR 10J EZH 2012 100Ω	EA	6	R132,R128,R127,RB46,R130,R133		
04---	037-0150	CHIP R.	MCR 10J EZH 2012 100 kΩ	EA	9	RQ1,RQ4,R155,RB40A,R95~R99		
04---	037-0131	CHIP R.	MCR 10J EZH 2012 5.6 kΩ	EA	5	R407~R411		
04---	037-0135	CHIP R.	MCR 10J EZH 2012 10 kΩ	EA	4	RGA18,RB40,RB43,R406		
04---	037-0177	CHIP R.	MCR 10J EZH 2012 1KΩ	EA	7	RGA14,RGA17,RB20,RB27,RB26,RGA8,RGA9		
04---	037-0171	CHIP R.	MCR 10J EZH 2012 200Ω	EA	1	RB23		
04---	037-0180	CHIP R.	MCR 10F EZH 2012 237Ω	EA	1	RB87		
04---	037-0181	CHIP R.	MCR 10F EZH 2012 261Ω	EA	2	RB88,RB45		
04---	037-0285	CHIP R.	MCR 18J EZH 2012 4.7K	EA	2	RGA10,RB170		
04---	037-0173	CHIP R.	MCR 10J EZH 2012 470Ω	EA	6	RB31,RB21,RB22,RB11,RB42,RB28		
04---	037-0169	CHIP R.	MCR 10J EZH 2012 51Ω	EA	2	RB92,RGA24		
04---	037-0175	CHIP R.	MCR 10J EZH 2012 560Ω	EA	2	RB29,RB39		
04---	037-0176	CHIP R.	MCR 10J EZH 2012 680Ω	EA	1	RB33		
04---	037-0184	CHIP R.	MCR 10J EZH 2012 2.2KΩ	EA	21	RD1~RD11,RD21~RD28,R402,R129		
04---	037-0200	CHIP R.	MCR 10J EZH 2012 47K	EA	2	RQ5,R405		
04---	037-0174	CHIP R.	MCR 10J EZH 2012 510Ω	EA	1	RB164		
04---	026-0204	CPU I.C	UFC-97 (SMD)	EA	1	ICD1		
04---	008-0104	CHIP CERAMIC CAP.	GMC21x7R103K50N1F(103p/50V)	EA	1	C96		
04---	008-0101	CHIP CERAMIC CAP.	GMC21xY5V104Z50N1M(104p/50V)	EA	9	SC3,CQ3,C95,C97~C99,CB99,,C404,CQ2		
04---	016-0109	SWITCHING DIODE	KDS160	EA	6	DG1,DQ1~DQ5		
04---	026-0912	C.P.U.	KS88C0716-01	EA	1	IC401	삼성전자(신성반도체)	
04---	049-0303	TRANSISTOR(SMD)	2SC 2412K-Q/KTC3875S Y	EA	1	Q401		
04---	037-0185	CHIP R.	MCR 10J EZH 2012 180KΩ	EA	1	RQ3		
04---	035-0238	P.C.B.	MXG(FGC) FR4 D/S (195×138×1.	EA	1		라미전자	
04---	026-2303	I.C.	74HC04(SMD)	EA	1	IC402		
04---	037-0283	CHIP R.	MCR 18J EZH 2012 56K	EA	2	RGA19,RGA15		
04---	037-0133	CHIP R.	MCR 10J EZH 2012 7.5 kΩ	EA	1	RGA11		
04---	037-0179	CHIP R.	MCR 10J EZH 2012 39KΩ	EA	1	RGA13		
04---	037-0147	CHIP R.	MCR 10J EZH 2012 51 kΩ	EA	1	RGA23		
04---	037-0172	CHIP R.	MCR 10J EZH 2012 360Ω	EA	1	RB44		
04---	037-0126	CHIP R.	MCR 10J EZH 2012 3.3 kΩ	EA	3	RB84,R401,R404		
04---	008-0107	CHIP CERAMIC CAP.	GMC21COG101D50N1F(100P/50V)	EA	1	CQ4		
04---	037-0161	CHIP R.	MCR 10J EZH 2012 33Ω	EA	1	RGA12		
04---	026-1302	I.C.	74AC08(SMD)	EA	1	IC8		
04---	037-01B5	CHIP R.	MCR 10J EZH 2012 270kΩ	EA	1	R509		
04---	037-0151	CHIP R.	MCR 10F EZH 2012 220Ω	EA	1	RGA16		
04---	008-0127	CHIP CERAMIC CAP.	GMC21COG151J50N1(150pF/50V)	EA	1	CQ9		

PARTS LIST

코드 : 700-0216 MODEL : F.G. (MXG-9802)

P/L구분 : 可 REVISION DATE : 1999. 05. 08. (No. : 05TH)

레벨	품목코드	품목명	규격	단위	Q'TY	PART - NO	업체명	비고
04---	037-0112	CHIP R.	MCR 10J EZH 2012 270Ω	EA	1	RQ2		
04---	008-0110	CHIP CERAMIC CAP.	GMC21X7R470J50NIF(47p/50V)	EA	2	CB9,CB10		
04---	037-0115	CHIP R.	MCR 10J EZH 2012 750Ω	EA	1	R403		
03----	316-0306	F.G.C. PCB INSERT	MXG-9802(F.G.C. PCB INSERT)	SET	1			
04---	008-0422	MYLAR CAP.	474K250V	EA	1	CB5		
04---	008-1002	SURGE CAP.	103/1KV	EA	1	C412		
04---	008-0315	E.C.	47μF/16V(5.0x7.0)	EA	5	CB15,CB60,CB14,CB43,C52		
04---	014-0401	OSCILLATOR	10MHz(TCXO)	EA	1	X1	창우전자	
04---	014-0104	CRYSTAL	11.0592MHz	EA	1	XT402		
04---	008-0324	E.C.	1μF/50V(4.0x7.0)	EA	4	CB59,CB7,C403,C406		
04---	008-0213	CERAMIC CAP.	103/50V(10nF/50V)	EA	2	C202,C204		
04---	016-0106	SWITCHING DIODE	1N4148	EA	3	DB3,DB9,DB10		
04---	026-1805	I.C.(PRESCALAR)	M54460L	EA	1	UB7		
04---	026-2401	I.C.	MC10216P	EA	1	UB6		
04---	037-7071	M.F.R.	1/2W F 350K	EA	1	RB36		
04---	037-0710	M.F.R.	1/4W F 4 KΩ	EA	1	RB38		
04---	037-0732	M.F.R.	1/4W F 50 KΩ	EA	1	RB35		
04---	057-0101	RELAY	DS2Y-S-DC5V	EA	1	RYB2		
04---	049-0126	TRANSISTOR	C9015	EA	2	QB18,QB19		
04---	049-0127	TRANSISTOR	PN2222	EA	12	QB2,QD1~QD11		
04---	037-1233	M.D.V.R.	631HF01 500Ω	EA	1	VRB1		
04---	049-0130	TRANSISTOR	J310	EA	1	QB16		
04---	049-0128	TRANSISTOR	KSA643-Y	EA	1	QB17		
04---	037-7067	M.F.R.	1/2W F 1 MΩ	EA	1	RB34		
04---	026-0801	I.C.	LTV817B(DIP)	EA	2	IC4,IC7		
04---	026-2304	I.C.	UDN2981A	EA	1	ICD2		
04---	012-0613	WAFER	YW396-02	EA	1	CN		
04---	012-0601	WAFER	YW025-02	EA	5	CN14,CN15,CN19,CN20,CN22		
04---	012-0602	WAFER	YW025-03	EA	3	CN4,CN18,CN23		
04---	012-0612	WAFER	YW025-13	EA	3	CN9,CN10,CN17		
04---	012-0604	WAFER	YW025-05	EA	1	CN3		
04---	016-0703	BRIDGE DIODE	PBP203	EA	1	D201		
04---	008-0312	E.C.	4700μF/25V(18.0x35.5) 85°C	EA	1	C201		
04---	026-1206	I.C.	MCT7805CT	EA	1	IC201		
04---	027-0603	BNC CONNECTOR	BNC-RB UG-1094(신형)	EA	2	CHB1,CHB2		
04---	036-0234	BNC SHIELD CABINET	MXG-9810	EA	1	CHB3		
04---	036-0235	SHIELD PLATE(GUIDE)	MXC	EA	1	CHB4		
04---	036-0236	SHIELD COVER	MXC	EA	1	CHB5		
04---	045-0801	PUSH PULL(POTNTIONMETER)	(SL123-4)20KC-B2K	EA	1	VRG1		
04---	045-0802	PUSH PULL(POTENTIONMETER)	(SL123-4)20KC-B10K	EA	3	VRG2,VRG4,VRG5		
04---	045-0803	PUSH-PULL(POTENTIONMETER)	(SL123-4)20KC-B50K	EA	1	VRG3		

PARTS LIST

코드 : 700-0216 MODEL : F.G. (MXG-9802)

P/L구분 : 可 REVISION DATE : 1999. 05. 08. (No. : 05TH)

레벨	품목코드	품목명	규격	단위	Q'TY	PART - NO	업체명	비고
04---	008-0365	E.C.	4.7μF/35V (4.0x7.0)	EA	1	C405		
04---	008-0705	M.P.F.C.	104/63V MMY-168(0.1μF 63V K)	EA	3	CB16,CB61,C234		
04---	037-0720	M.F.R.	1/4W F 240Ω	EA	1	R521		
04---	037-0744	M.F.R.	1/4W F 62Ω	EA	2	R522,R523		
04---	037-0914	M.N.W.R.	1/2W 1Ω	EA	1	R519		
04---	037-0722	M.F.R.	1/4W F 2.7 KΩ	EA	1	R518		
04---	037-0771	M.F.R.	1/4W F 100Ω	EA	1	RB24		
04---	037-0737	M.F.R.	1/4W F 1 KΩ	EA	2	R513,R514		
04---	008-0301	E.C.	33μF/16V(4x7)	EA	1	CQ1		
04---	024-0107	HEAT SINK	15x23x60(24x57)	EA	1	IC201A		
04---	110-0123	SCREW	M3x8 M,S PH S/W Zny	EA	1			
04---	110-0125	SCREW	M3x12 PHM S/W ZN	EA	1			
04---	008-0321	E.C.	100μF/16V(6.3x11.0)	EA	4	C45,CB82,CB42,CB18		
04---	012-0815	CONNECTOR	SIGLE ROW 3P	EA	1	CN12		
04---	008-0330	E.C.	10μF/25V(4x7)	EA	1	C413		
04---	008-0320	E.C.	100μF/50V(8.0x11.5)	EA	1	C203		
02-----	316-0204	LINE FILTER PCB ASS'Y	MXG9802(LINE FILTER PCB ASS'Y)	SET	1			
03-----	316-0307	LINE FILTER INSERT	MXG9802(LINE FILTER INSERT)	SET	1			
04---	037-7067	M.F.R.	1/2W F 1 MΩ	EA	1	R1		
04---	057-0104	COIL	SQ2014	EA	1	L1		
04---	008-0421	M.P.F.C	0.47μF/AC250V MKP(474)	EA	1	C4		
04---	008-0430	MYLAR CAP.	104/AC250V(X2,OIL CAP.)	EA	1	C1		
04---	012-0620	WAFER	YW396-03V	EA	3	J1,J2,J6		
04---	012-0621	WAFER	YW396-04V	EA	2	J4,J5		
04---	035-0234	P.C.B.	MXC/MXG(L) CM1 (90x40x1.6t)	EA	1		라미전자	
04---	008-1005	SURGU CAP.	2KV 102	EA	2	C7,C8		
02-----	316-0205	POWER PCB ASS'Y	MXG9802(POWER PCB ASS'Y)	SET	1			
03-----	316-0308	POWER INSERT	MXG9802(POWER INSERT)	SET	1			
04---	037-0401	C.F.R.	1/2W J 10Ω	EA	2	R1,R2		
04---	008-0213	CERAMIC CAP.	103/50V(10nF/50V)	EA	4	C3,C4,C10,C12		
04---	008-0318	E.C.	220μF/35V(10.0x12.5)	EA	4	C7,C8,C37,C38		
04---	008-0315	E.C.	47μF/16V(5.0x7.0)	EA	2	C5,C11		
04---	008-0309	E.C.	22μF/25V(4.0x7.0)	EA	2	C6,C9		
04---	016-0703	BRIDGE DIODE	PBP203	EA	1	D7		
04---	008-0360	E.C.	3300μF/35V(18x35.5)	EA	2	C34,C35		
04---	035-0239	P.C.B.	MXG(PS) FR4 D/S (100x50x1.6t)	EA	1		라미전자	
04---	012-0607	WAFER	YW025-08	EA	1	CN2		
04---	012-0604	WAFER	YW025-05	EA	1	CN1		
04---	012-0605	WAFER	YW025-06	EA	2	CN4,CN5		
04---	037-0823	C.F.R	2W J 100Ω	EA	2	R3,R4		
04---	037-0221	C.F.R.	2W J 200Ω	EA	2	R5,R6		

PARTS LIST

코드 : 700-0216 MODEL : F.G. (MXG-9802)

P/L구분 : 可 REVISION DATE : 1999. 05. 08. (No. : 05TH)

레벨	품목코드	품목명	규격	단위	Q'TY	PART - NO	업체명	비고
04---	016-0704	BRIDGE DIODE	PBM152	EA	1	D6		
04---	008-0313	E.C.	470 μ F/25V(10.0x16.0)	EA	2	C39,C40		
04---	012-0613	WAFER	YW396-02	EA	1	CN9		
04---	012-0623	WAFER	YWL-200-02P	EA	1	CON1		
04---	012-0614	WAFER	YW396-03	EA	1	CN3		
02-----	316-0206	PCB ASSEMBLY PART	MXG9802(PCB ASSEMBLY PART)	SET	1			
02-----	316-0210	F.G.C. SUB PCB ASS'Y	MXG9810(F.G.C. SUB PCB ASS'Y)	EA	1			
03-----	316-0309	F.G.C. SUB PCB CHIP MOUNT	MXG9810(F.G.C. SUB PCB CHIP MO	EA	1			
04---	008-0109	CHIP CERAMIC CAP.	GMC21x7R102K50N1F(102p/50V)	EA	6	CA10~CA13,CA15,CA18		
04---	008-0101	CHIP CERAMIC CAP.	GMC21x5V104Z50N1M(104p/50V)	EA	1	CA16		
04---	037-0200	CHIP R.	MCR 10J EZH 2012 47K	EA	1	RA15		
04---	037-0285	CHIP R.	MCR 18J EZH 2012 4.7K	EA	1	RA17		
04---	037-01A0	CHIP R.	MCR 10J EZH 2012 1.2k Ω	EA	1	RA		
04---	037-0135	CHIP R.	MCR 10J EZH 2012 10 k Ω	EA	1	RA21		
04---	037-0170	CHIP R.	MCR 10J EZH 2012 100 Ω	EA	1	RA18		
04---	037-0159	CHIP R.	MCR 10J EZH 2012 390 k Ω	EA	1	RA16		
04---	037-0175	CHIP R.	MCR 10J EZH 2012 560 Ω	EA	1	RA23		
04---	049-0301	TRANSISTOR(SMD)	KTC3880(AQY)	EA	2	QA1,QA6		
04---	016-0108	SCHOTKY DIODE	HSMS-2822	EA	1	DA2		
04---	049-0303	TRANSISTOR(SMD)	2SC 2412K-Q/KTC3875S Y	EA	1	QA5		
04---	037-0169	CHIP R.	MCR 10J EZH 2012 51 Ω	EA	1	RA19		
04---	037-0142	CHIP R.	MCR 10F EZH 2012 150 Ω	EA	1	RA20		
04---	037-0160	CHIP R.	MCR 10J EZH 2012 68k Ω	EA	1	RA22		
04---	037-0167	CHIP R.	MCR 10J EZH 2012 1 Ω	EA	1	RA13		
04---	008-0124	CHIP CERAMIC CAP.	GMC21C0G224K50N1(220pF/50V)	EA	2	CA14,CA17		
04---	035-0242	P.C.B	MXG 1.3Gb SUB(90.0x21.0x1.0t)	EA	1		라미전자	
03-----	316-0310	F.G.C. SUB PCB INSERT	MXG-9810(F.G.C. SUB PCB INSERT	EA	1			
04---	026-1802	I.C.	MC12078P	EA	1	ICA2		
04---	037-1221	M.G.V.R.	500K (687A)	EA	1	VR2	레피드전자	
01-----	316-0102	CASE SET ASS'Y	MXG9802(CASE SET ASS'Y)	SET	1			
02-----	316-0207	FRONT CASE ASS'Y	MXG9802(FRONT CASE ASS'Y)	SET	1			
03-----	027-0602	BNC CONNECTOR	BNC-RB UG-1094(구형)	EA	3			
03-----	025-3055	POWER SWITCH KNOB	MXC1600/2800(5.5x8.0x9.0)	EA	1			
03-----	025-3041	FRONT CASE	MXG-9802/9810	EA	1			
03-----	025-3062	PUSH SWITCH KNOB	MXD4660A	EA	11			
03-----	025-3063	TACK SWITCH KNOB	MXD4660A	EA	5			
03-----	025-3034	VR KNOB	MXG-9802/9810	EA	5			
03-----	025-3039	F.G. KNOB	MXG-9802/9810	EA	1			
03-----	025-3027	F.G. DIAL	MS9160	EA	1			
03-----	132-0106	FRONT PANEL	MXG-9802/9810	EA	1			
03-----	034-0103	ROTARY VOLUME	RK16V21A000153B(50K Ω)	EA	1			

PARTS LIST

코드 : 700-0216 MODEL : F.G. (MXG-9802)

P/L구분 : 可 REVISION DATE : 1999. 05. 08. (No. : 04TH)

계	별	품목코드	품목명	규격	단위	Q'TY	PART - NO	업체명	비고
03	----	057-0106	GASKET	MXG9810	EA	1			
03	----	123-0202	HARNESS	YH025-02 SHIELD 180m/m	EA	2			
03	----	123-0269	HARNESS	YH025-02 230mmRG	EA	1			
03	----	123-0220	HARNESS	YH025-03 250mm	EA	1			
03	----	110-0126	SCREW	M3x6 T/S-2PH ZNY	EA	3			
03	----	022-1301	F.G RING	MXG-9810/9802	EA	1			
03	----	025-3067	WINDOW	MXG-9802/9810	EA	1			
02	-----	316-0208	MAIN CASE ASS'Y	MXG9802(MAIN CASE ASS'Y)	SET	1			
03	----	036-0242	MAIN CHASIS	MXG-9802/9810	EA	1			
03	----	024-0104	HEAT SINK	MXC(45×99)	EA	1			
03	----	123-0213	HARNESS	YH025-13P(D) 230m/m	EA	3		한영전자	
03	----	123-0259	HARNESS	YH025-05 shield 200mm	EA	1			
03	----	123-0220	HARNESS	YH025-03 250mm	EA	1			
03	----	123-0221	HARNESS	YH025-03 200mm	EA	1			
03	----	123-0222	HARNESS	YH025-02 250mmRG174	EA	3		한영전자	
03	----	123-0261	HARNESS	YH396-32V(D/S) 150mm	EA	1			
03	----	123-0262	HARNESS	YH-396-32V 100mm	EA	1			
03	----	123-0263	HARNESS	YH396-03V 120mm	EA	1			
03	----	123-0223	HARNESS	YH025-05 120mm	EA	1			
03	----	123-0225	HARNESS	YH025-06/02/02 100mm	EA	2			
03	----	123-0102	EARTH WIRE	100m/m(YELLOW/GREEN)	EA	1		한영전자	
03	----	132-0107	BACK PANEL	MXG-9802/9810	EA	1			
03	----	036-0231	POWER STAND	MXC(106×197.4×1.2t 백색아연)	EA	1			
03	----	036-0207	T.F BLANKET	小	EA	4			
03	----	048-0118	FAN	MF4010-12H(LB)	EA	1			
03	----	022-0214	SPACE	∅ 6×35	EA	2			
03	----	022-0215	POLE	∅ 6×15-5mm	EA	2			
03	----	026-0202	I.C.	MCT7905CT	EA	1			
03	----	026-1206	I.C.	MCT7805CT	EA	1			
03	----	026-1208	I.C.	MCT7815CT	EA	1			
03	----	026-1209	I.C.	MC7915CT	EA	1			
03	----	201-0601	절연지	T0220	EA	4			
03	----	201-0501	수축 TUBE	3∅	M	1			
03	----	110-0118	SCREW	M3x10 M,S FN B.K	EA	2			
03	----	110-0155	SCREW	M3x6 M/S BH N1	EA	4			
03	----	110-0146	NUT ZNY	M3 x 0.5P	EA	4			
03	----	110-0110	SCREW	M3x5 PHM S/W ZN	EA	6			
03	----	110-0123	SCREW	M3x8 M,S PH S/W Zny	EA	13			
03	----	017-0208	FUSE	F250V/800mA 5x20 S500	EA	1			
03	----	033-0203	AC INLET	BAC1-03	EA	1			
03	----	201-0702	SILICON WASHER	TO-220	EA	4			

P A R T S L I S T

코드 : 700-0216 MODEL : F.G. (MXG-9802)

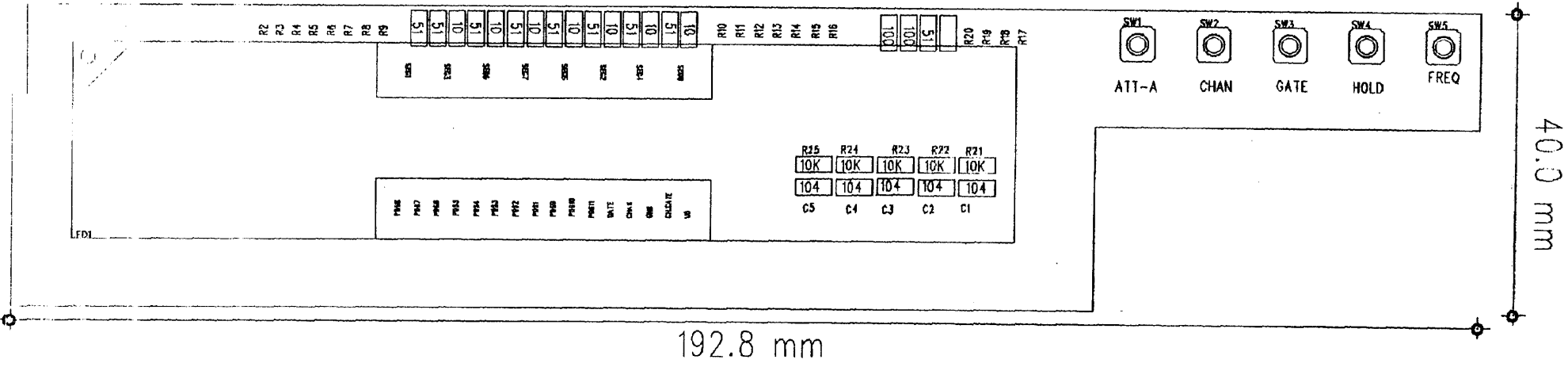
P/L구분 : 可

REVISION DATE : 1999. 05. 08. (No. : 05TH)

레벨	품목코드	품목명	규격	단위	Q'TY	PART - NO	업체명	비고
03----	009-0407	D-SUB CONNECTOR	17LE-03090-27	EA	1			
03----	035-0243	P.C.B.	D-SUB PCB	EA	1			
03----	048-0123	TRANSFORMER	220/230V-20V/8V/1.2A	EA	1			
03----	048-0126	TRANSFORMER	220/230V-7V/1.5A	EA	1			
03----	123-0267	HARNESS	YH025-08 200mm	EA	1			
03----	110-0137	SCREW	M3×21.0 PHM S/W ZN S=5	EA	4			
03----	110-0113	SCREW	M4x10 M,S S/W Zny	EA	3			
03----	110-0114	SCREW	M4x6 M,S PH Zny	EA	1			
03----	110-0158	SCREW	M3x6 M/S PH NI	EA	4			
03----	110-0136	WATCH WASHER ZNY	3φ Zn	EA	4			
03----	110-0145	NUT ZNY	M4 x 0.7P	EA	4			
03----	213-1005	니벳	3.2(小)	EA	1			
02-----	316-0209	CASE ASSEMBLY PART	MXG9802(CASE ASSEMBLY PART)	SET	1			
03----	025-3056	HANGER	MXC1600/2800(232×107×27.5)	EA	1			
03----	025-3057	HANGER GUIDE A	MXC1600/2800(60×50×60)	EA	2			
03----	025-3058	HANGER GUIDE B	MXC1600/2800(φ50.0×17.0)	EA	2			
03----	231-3863	RUBBER STAND(원형)	φ45×4.0t	EA	4			
03----	025-3044	ON/OFF GUIDE	MXG9810	EA	1			
03----	025-3055	POWER SWITCH KNOB	MXC1600/2800(5.5×8.0×9.0)	EA	1			
03----	036-0241	MAIN COVER	MXG-9802/9810	EA	1			
03----	025-3065	BACK STAND	MXG-SERIES	EA	1			
03----	110-0155	SCREW	M3x6 M/S BH NI	EA	6			
03----	110-0116	SCREW	M3x10 SIM,S,M,S PH S/W B.K	EA	4			

(주)서원팩밀리

TOP SIDE SILK SCREEN

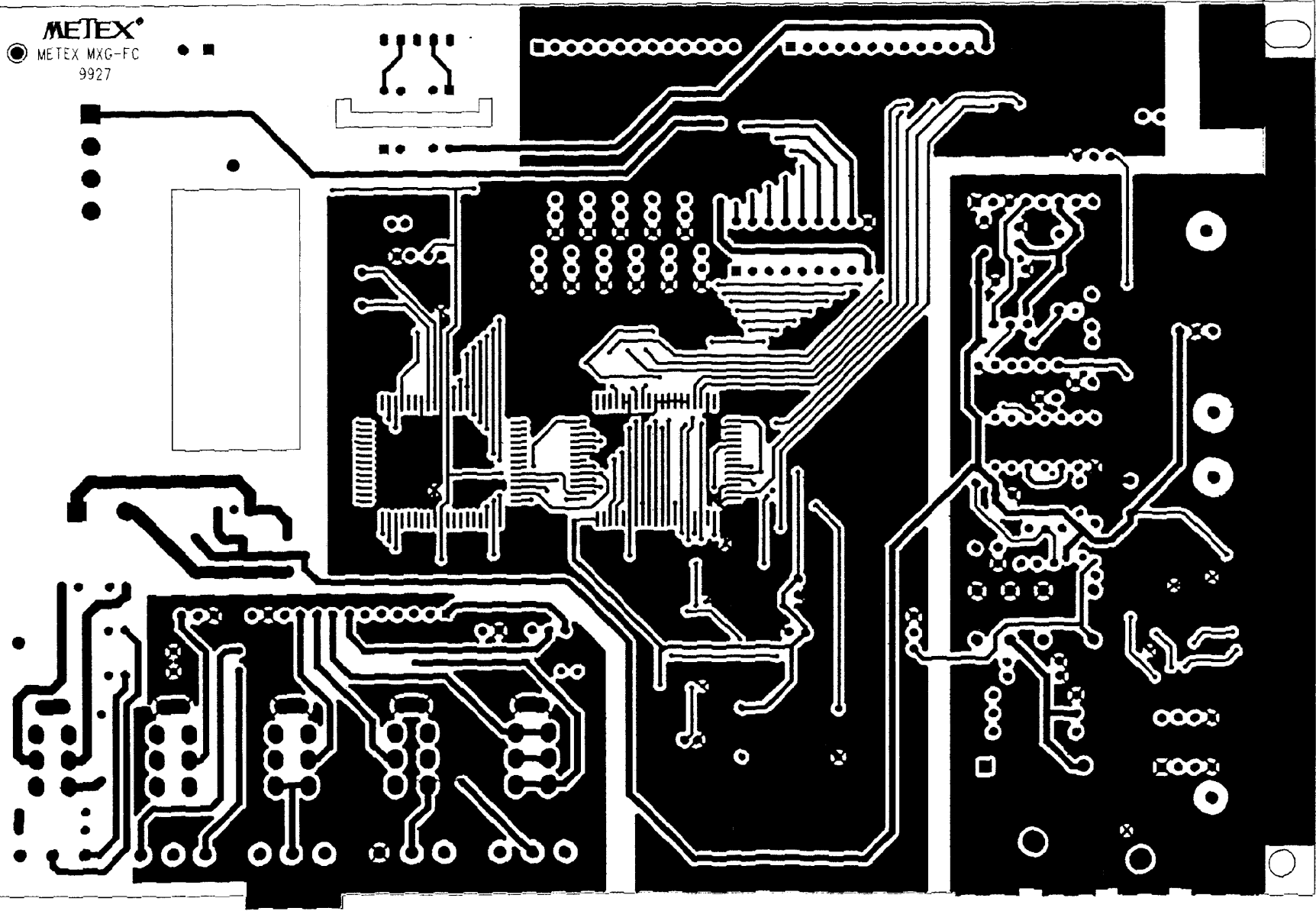


Handwritten signature/initials

195.6 mm

V-CUT

METEX
METEX MXG-FC
9927



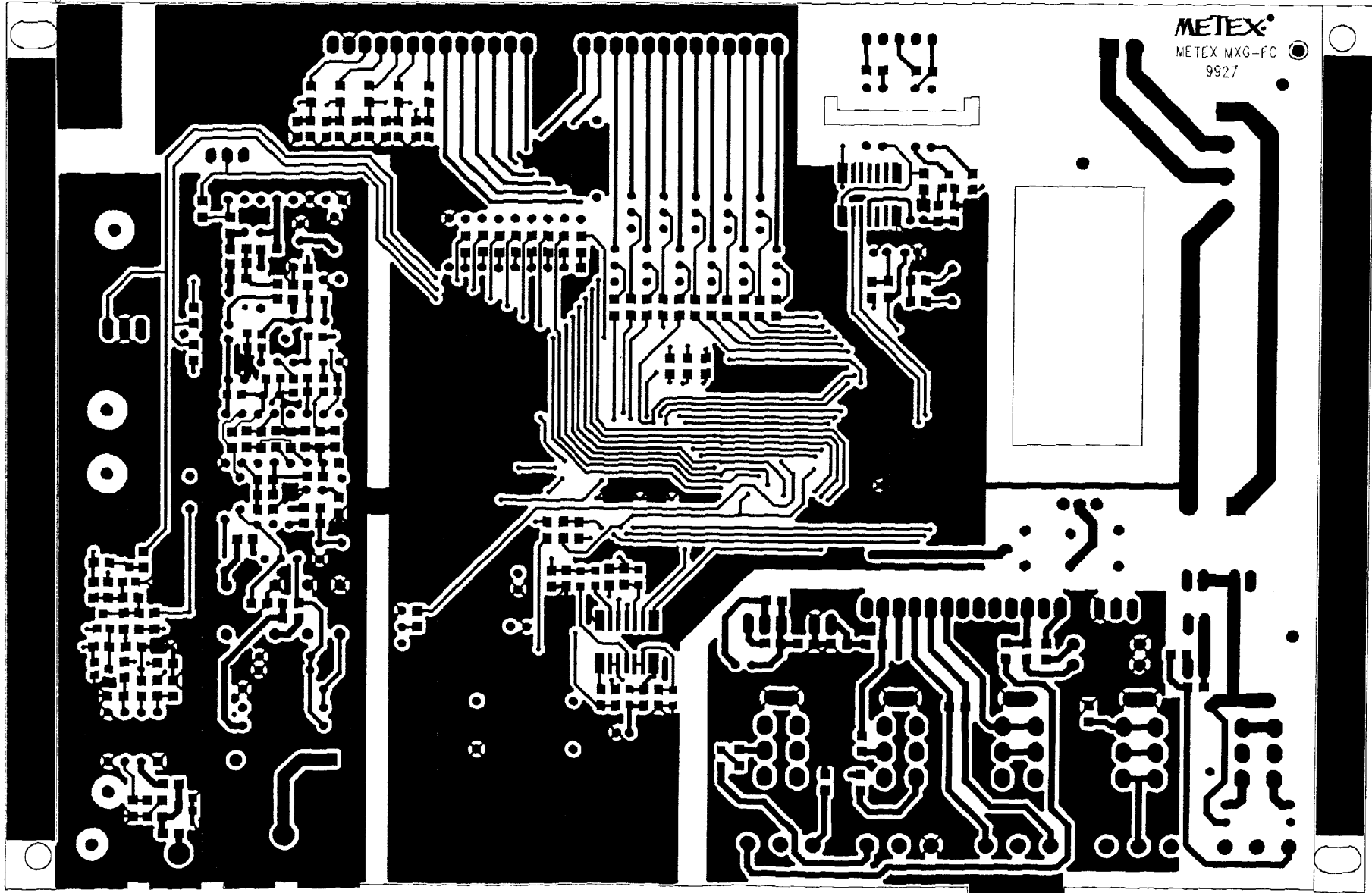
139.1 mm

TOP SIDE PATTERN



mm 0.201

TUG-V



BOTTOM SIDE PATTERN

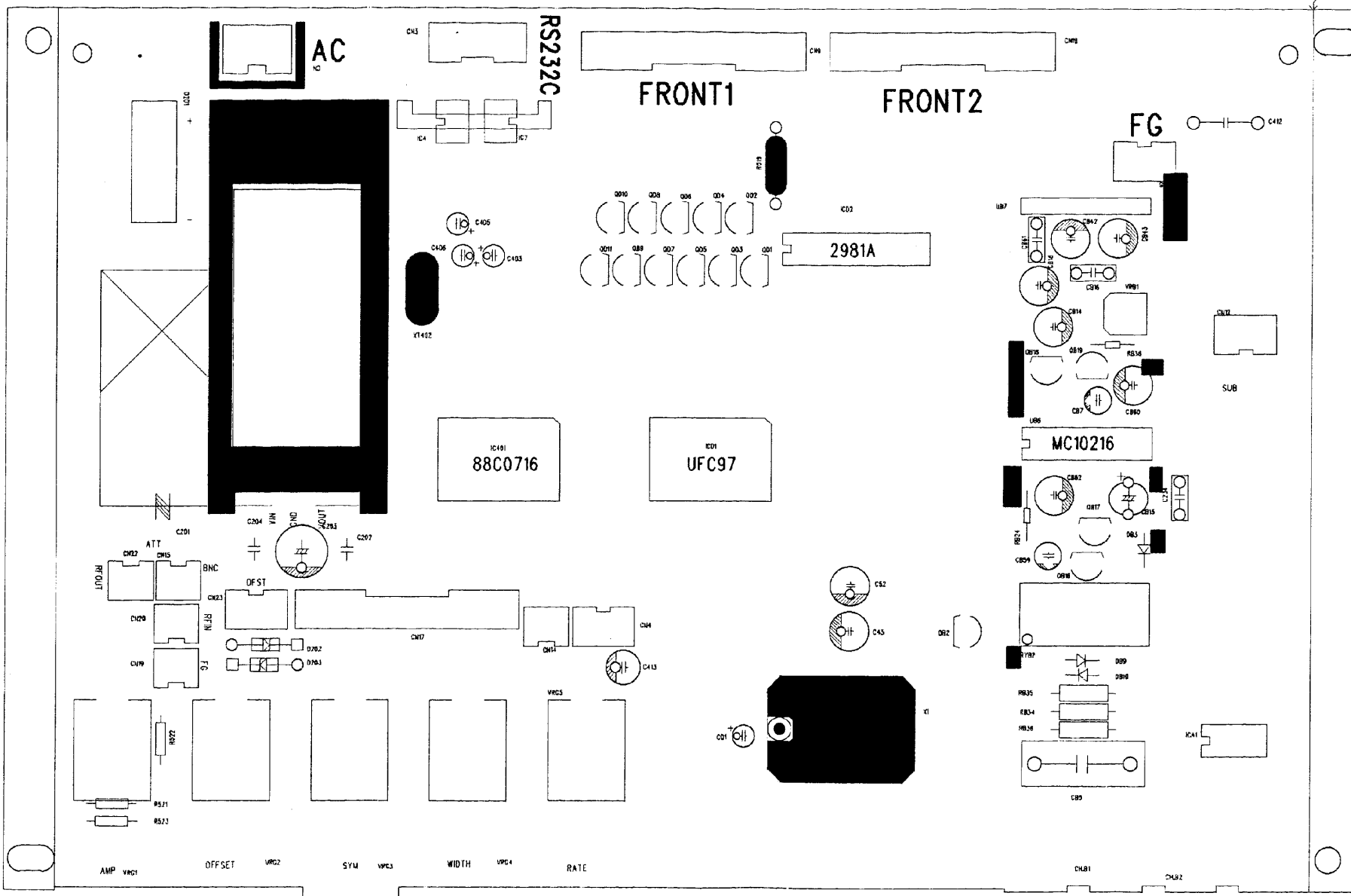
100 p. 22

mm 1.201

METEX
METEX MXG-FC
9927

195.6 mm

V-CUT



139.1 mm

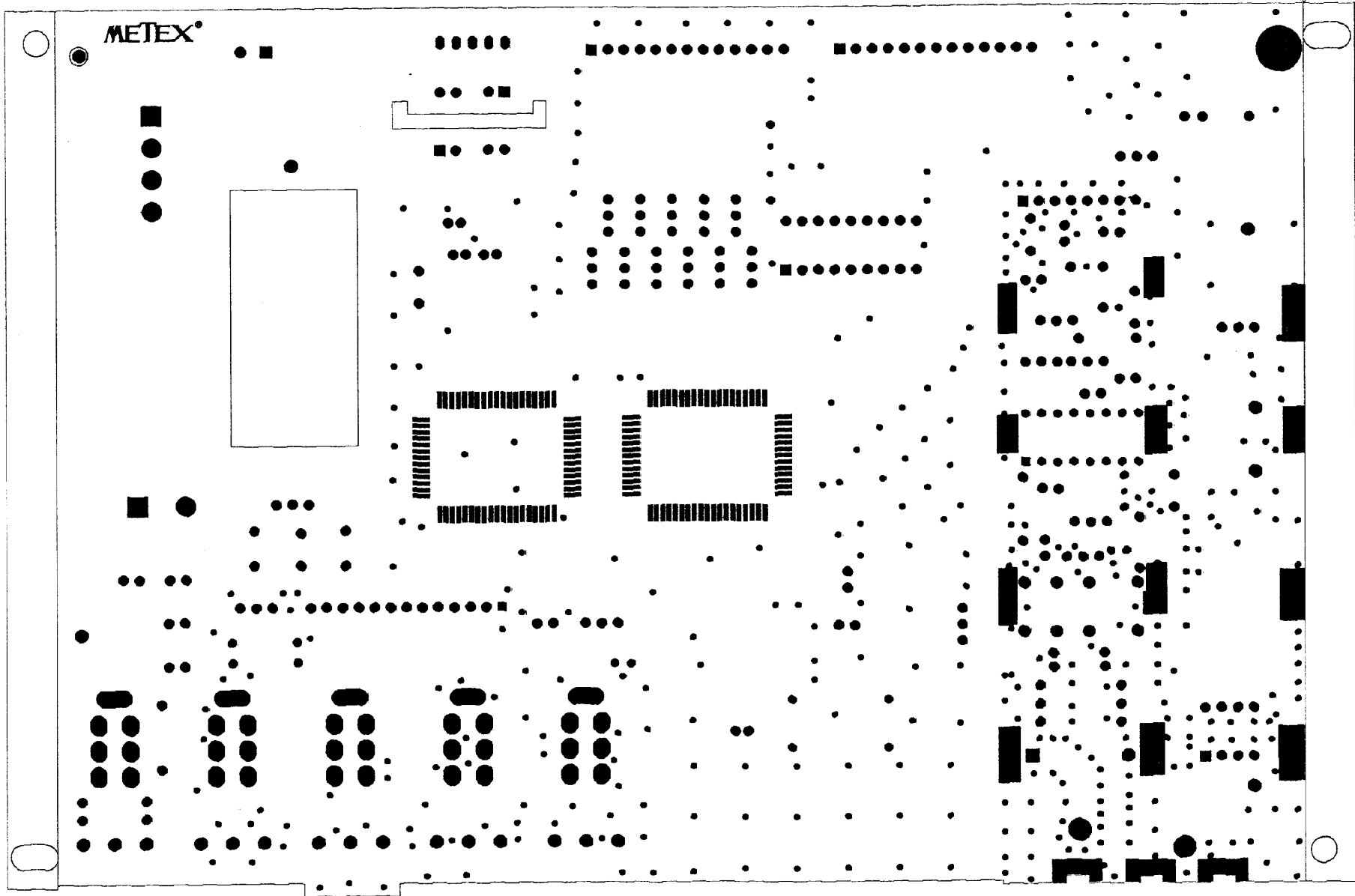
TOP SIDE SILK SCREEN





195.6 mm

V-CUT



139.1 mm

TOP SIDE SOLDER MASK



Handwritten signature or initials at the bottom right.

195.6 mm

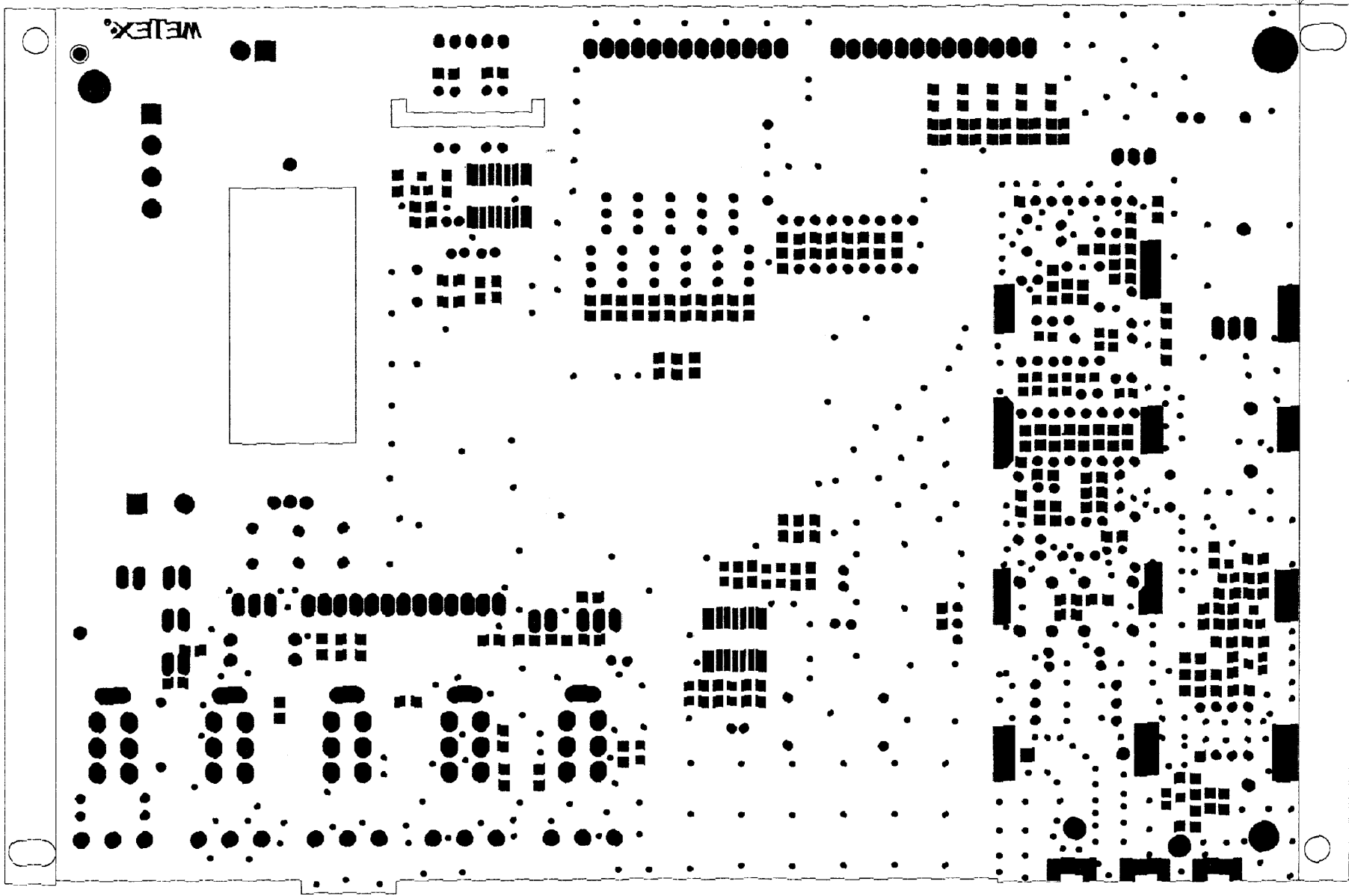
V-CUT

139.1 mm

BOTTOM SIDE SOLDER MASK

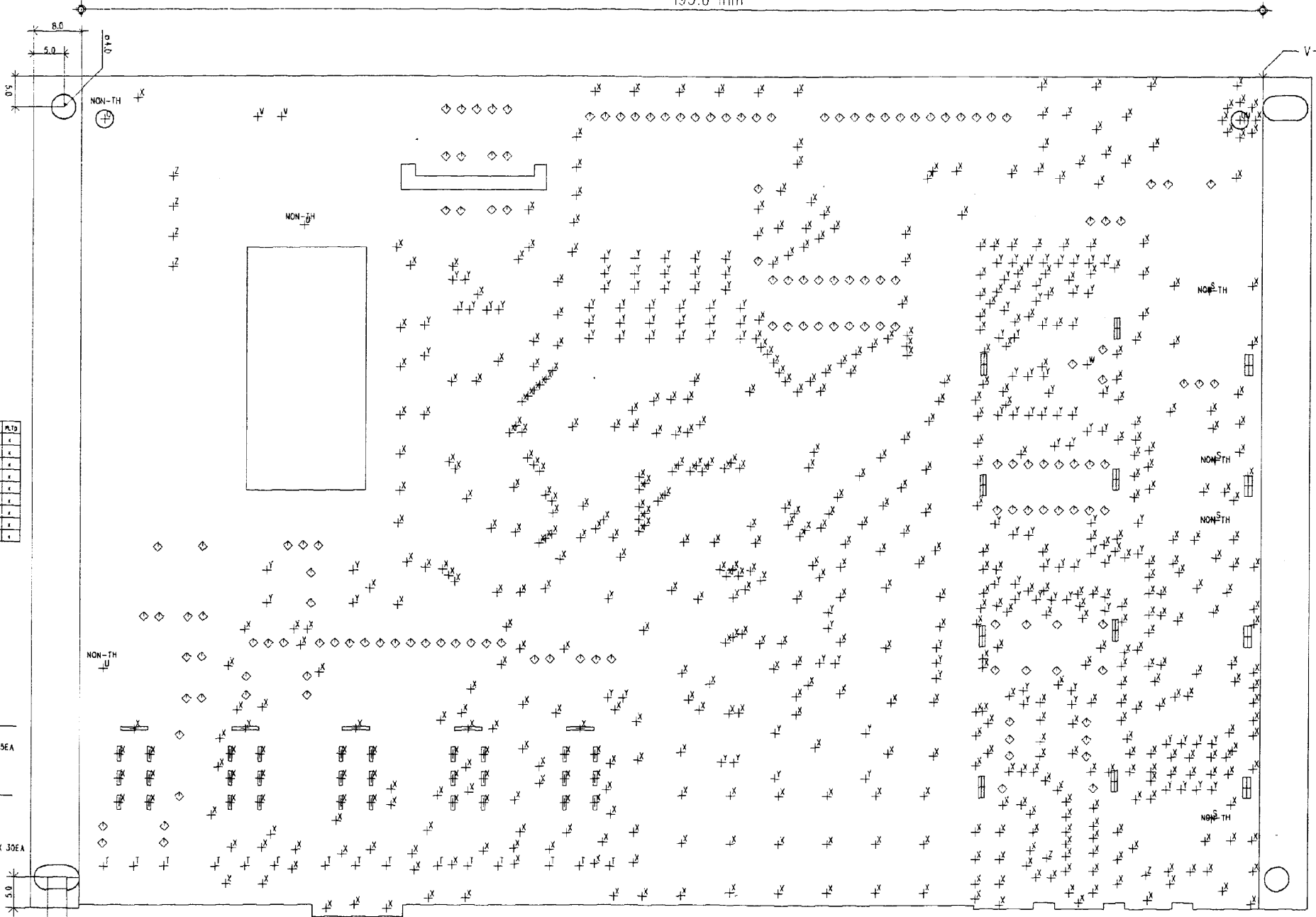


1.2hr



195.6 mm

V-CUT



139.1 mm

DRILL DATA

SIZE	QTY	SYM	PLT
1.0	1	○	1
1.2	1	○	1
1.5	1	○	1
1.8	1	○	1
2.0	1	○	1
2.5	1	○	1
3.0	1	○	1
3.5	1	○	1
4.0	1	○	1
5.0	1	○	1
6.0	1	○	1
7.0	1	○	1
8.0	1	○	1
9.0	1	○	1
10.0	1	○	1
12.0	1	○	1
15.0	1	○	1
18.0	1	○	1
20.0	1	○	1
25.0	1	○	1
30.0	1	○	1
35.0	1	○	1
40.0	1	○	1
50.0	1	○	1
60.0	1	○	1
75.0	1	○	1
90.0	1	○	1
100.0	1	○	1

0.7 X 4.7 X 9EA

0.7 X 2.4 X 30EA

3.5 X 1.1 8EA

3.5 X 1.2 4EA

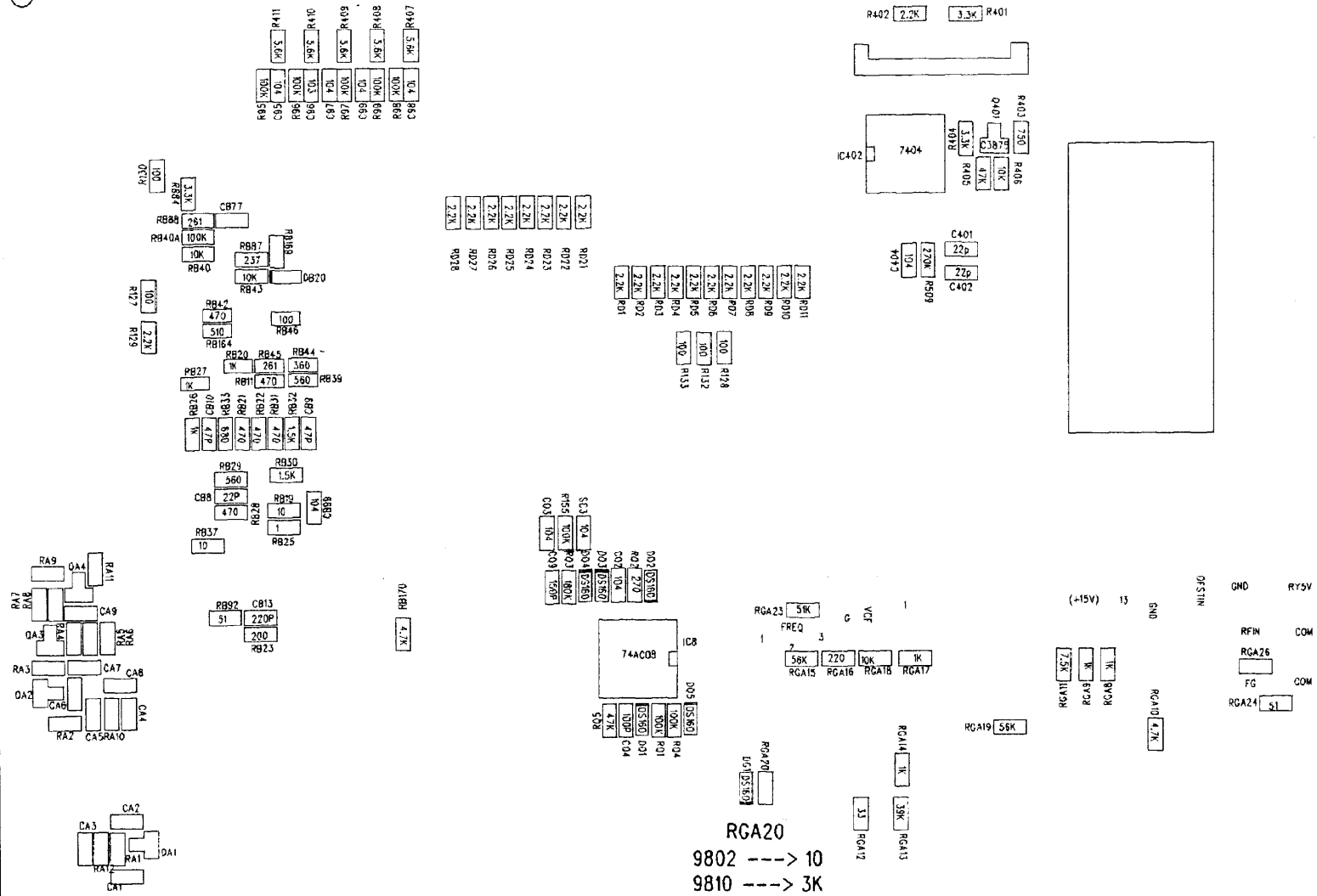


Handwritten signature or date: 1999.7.22

mm 0.201

TUC-V

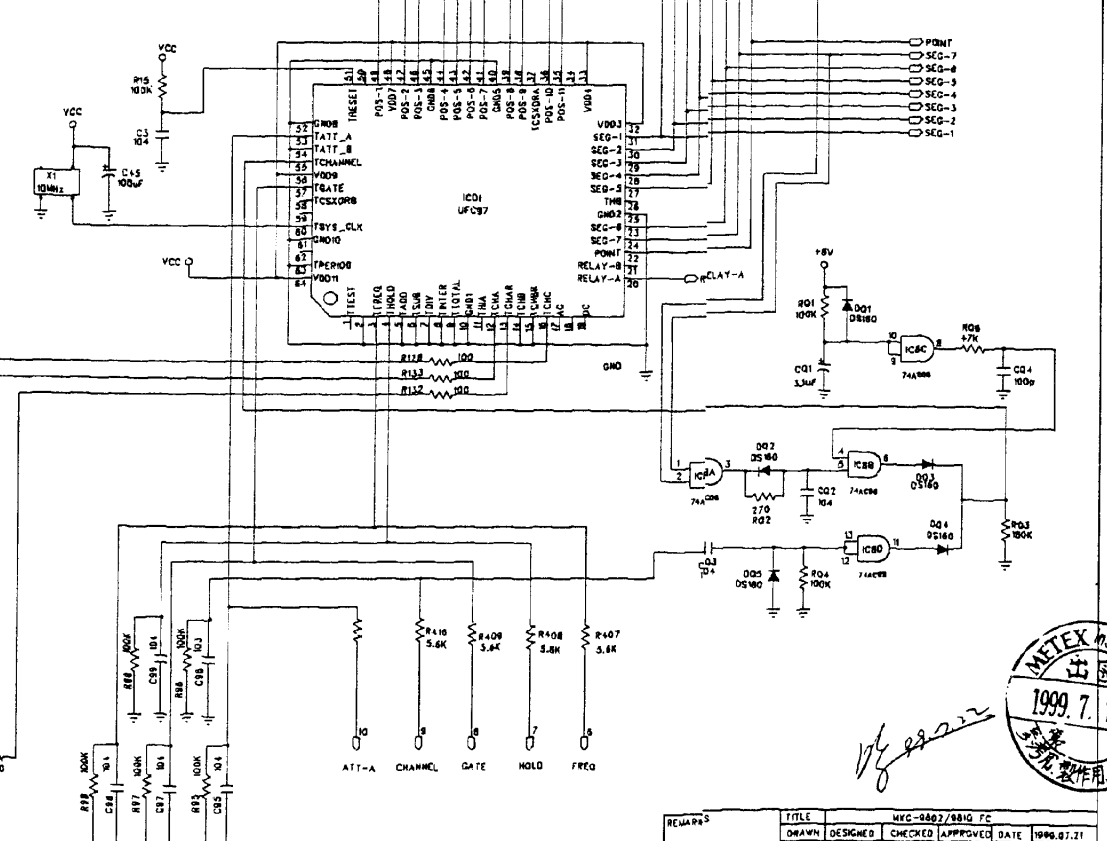
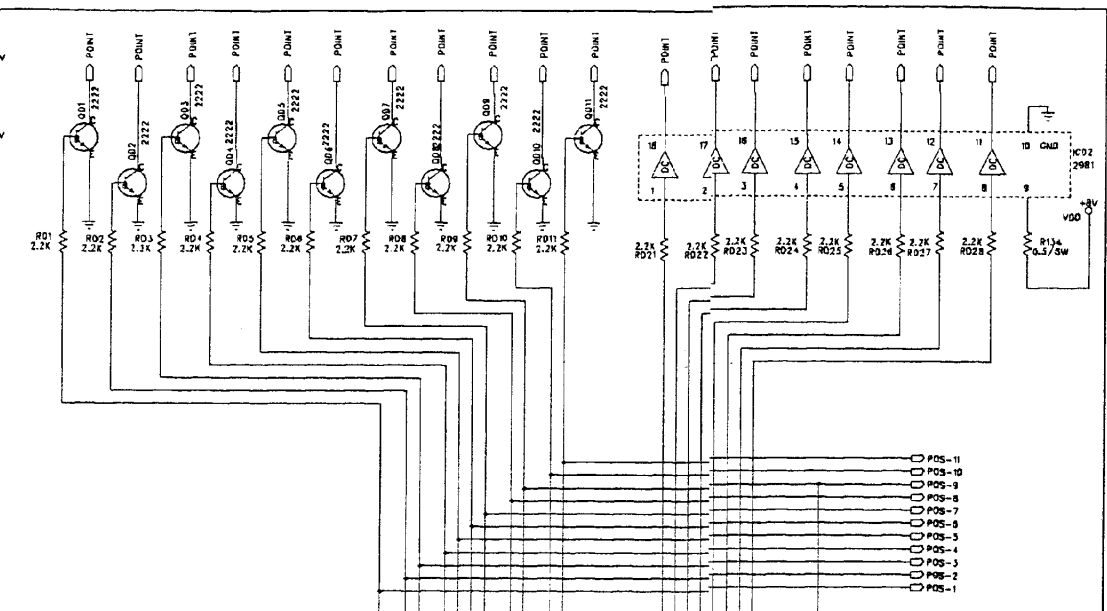
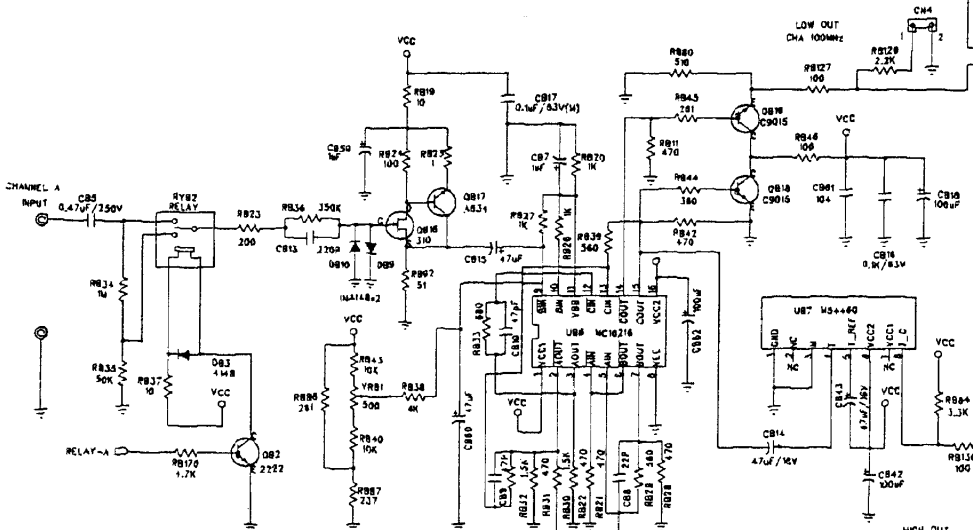
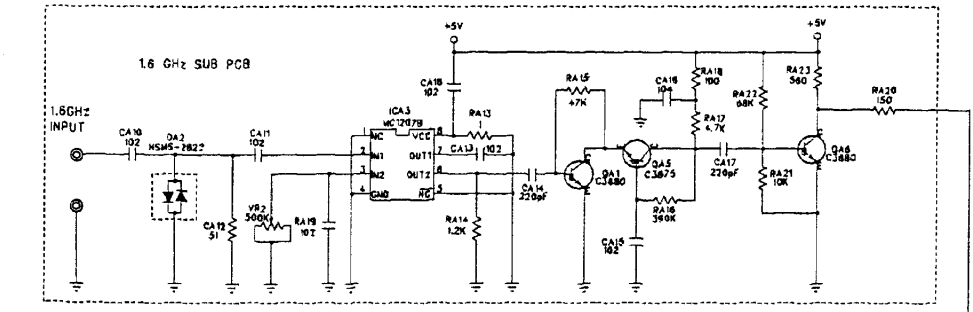
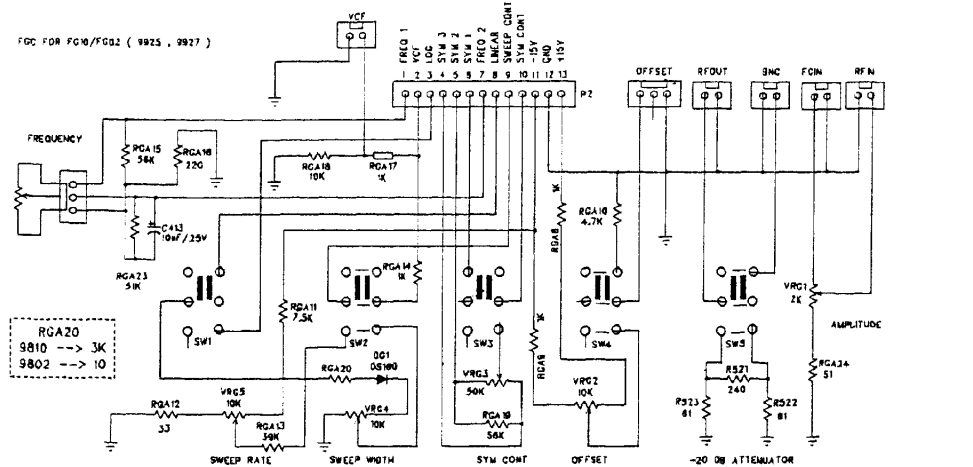
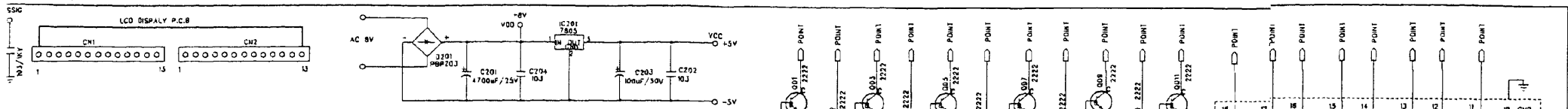
120.1 mm



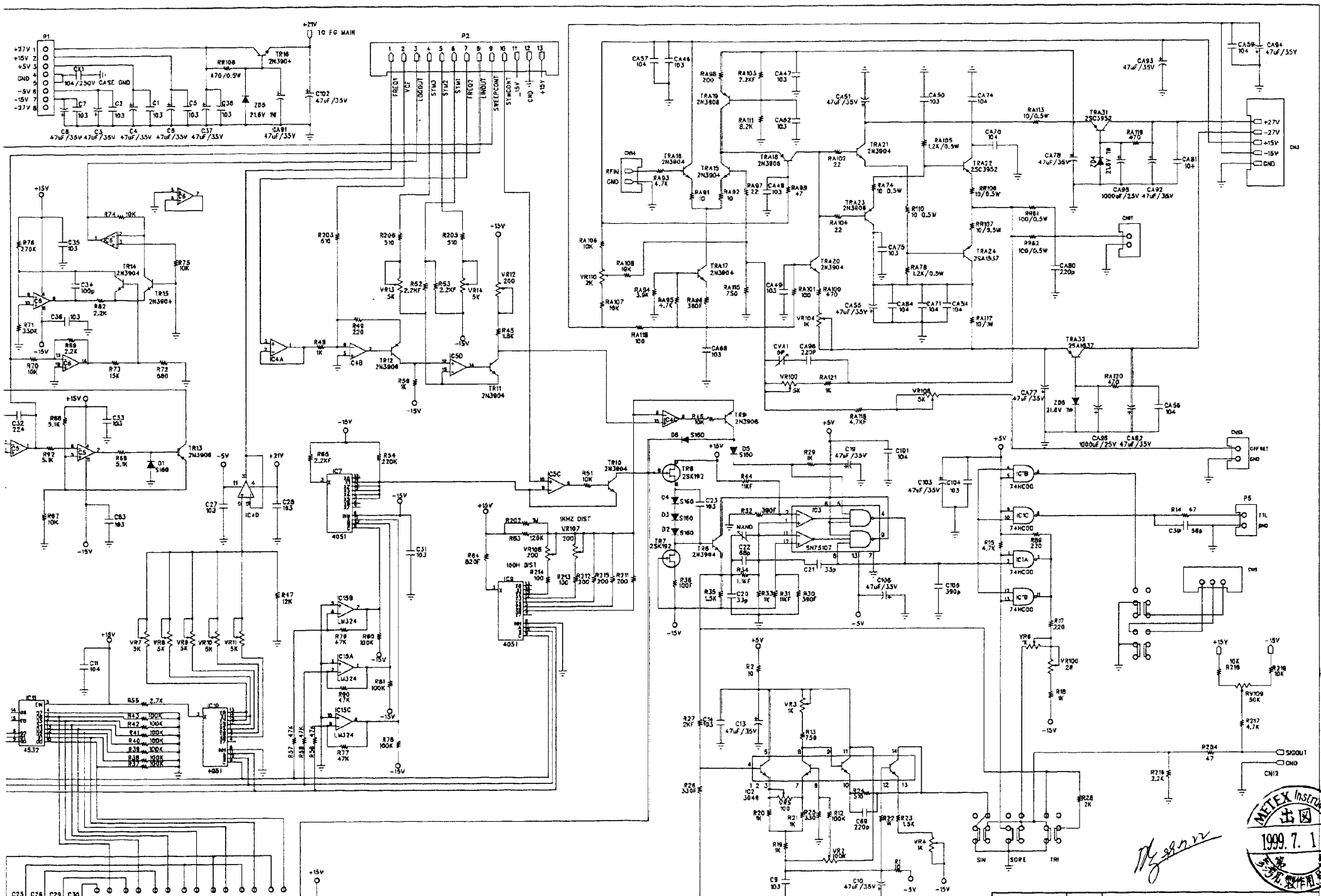
BOTTOM SIDE SILK SCREEN

Handwritten signature or initials



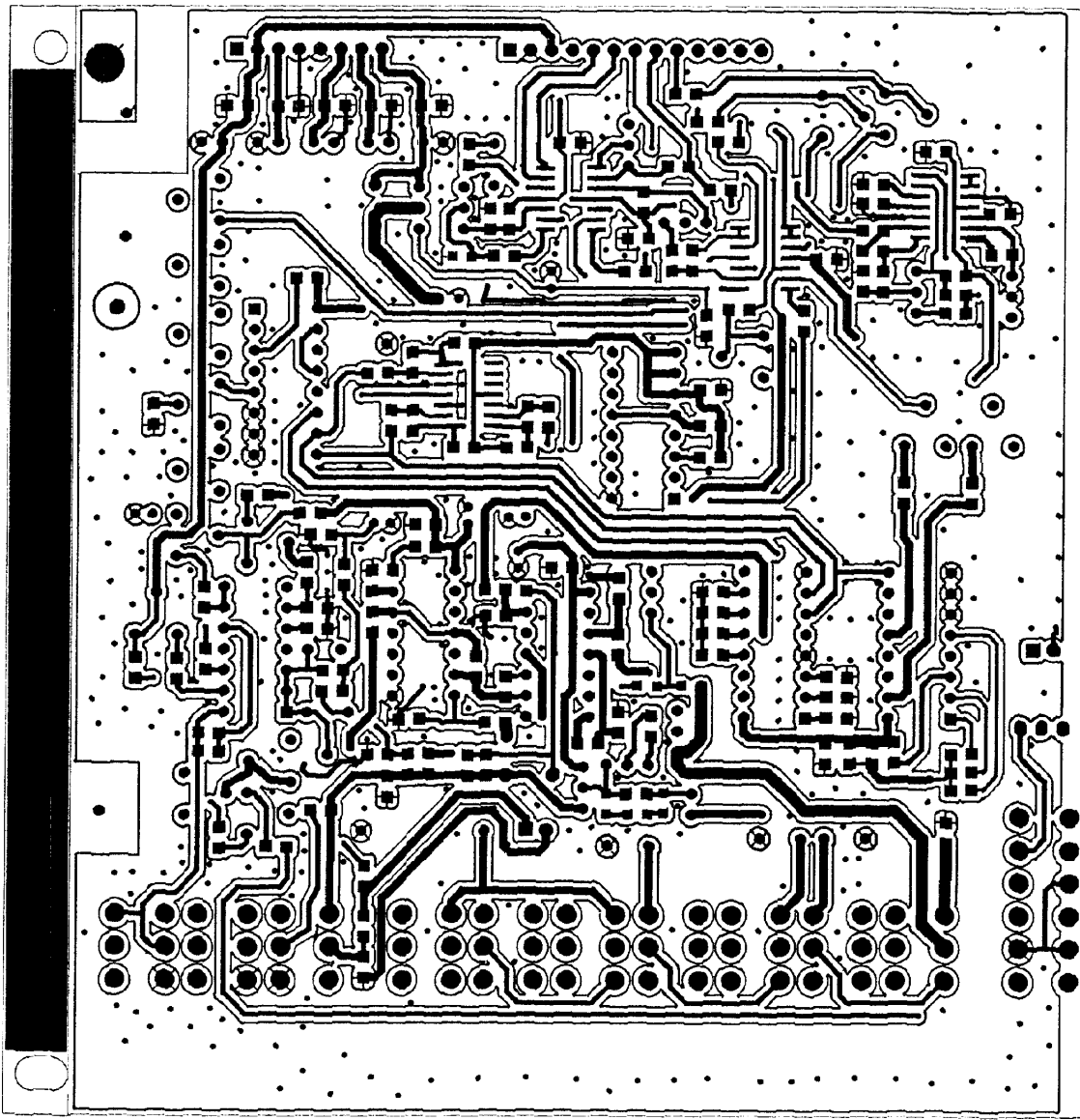


REV	DATE	BY	CHK	APP	DESCRIPTION
1	1999.07.21	J.S.KIM	J.S.KIM	Y.Y.BAE	MYGFC SCH

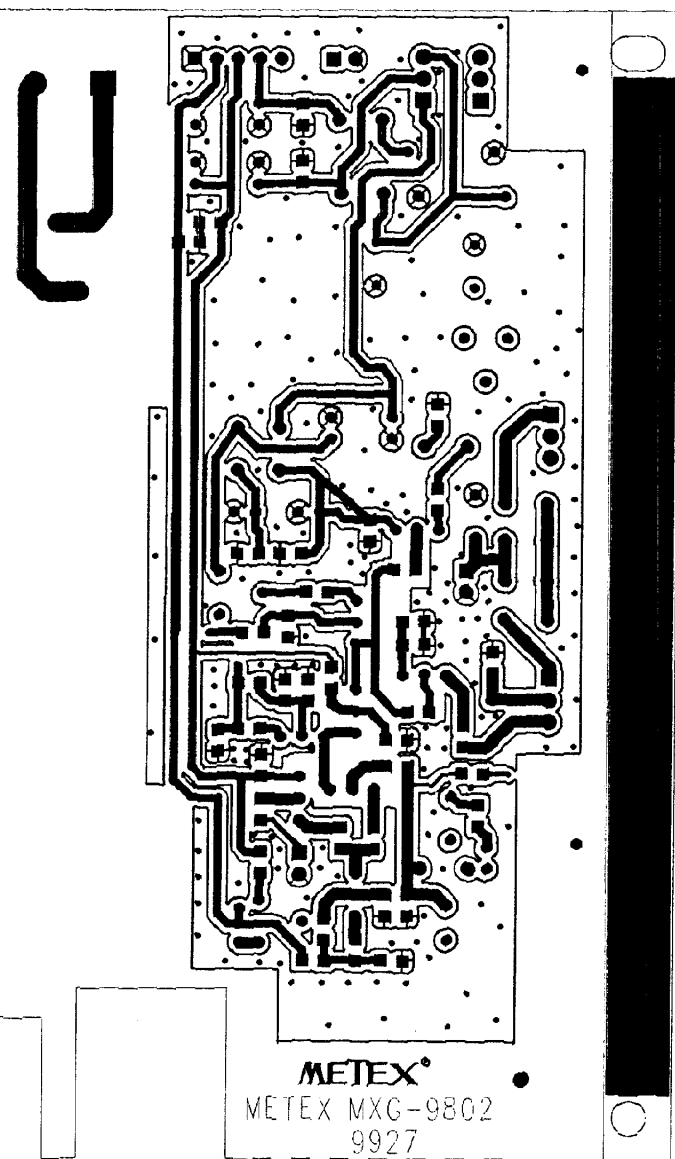


Handwritten signature or initials.

195.0M/M



TOP SIDE PATTERN

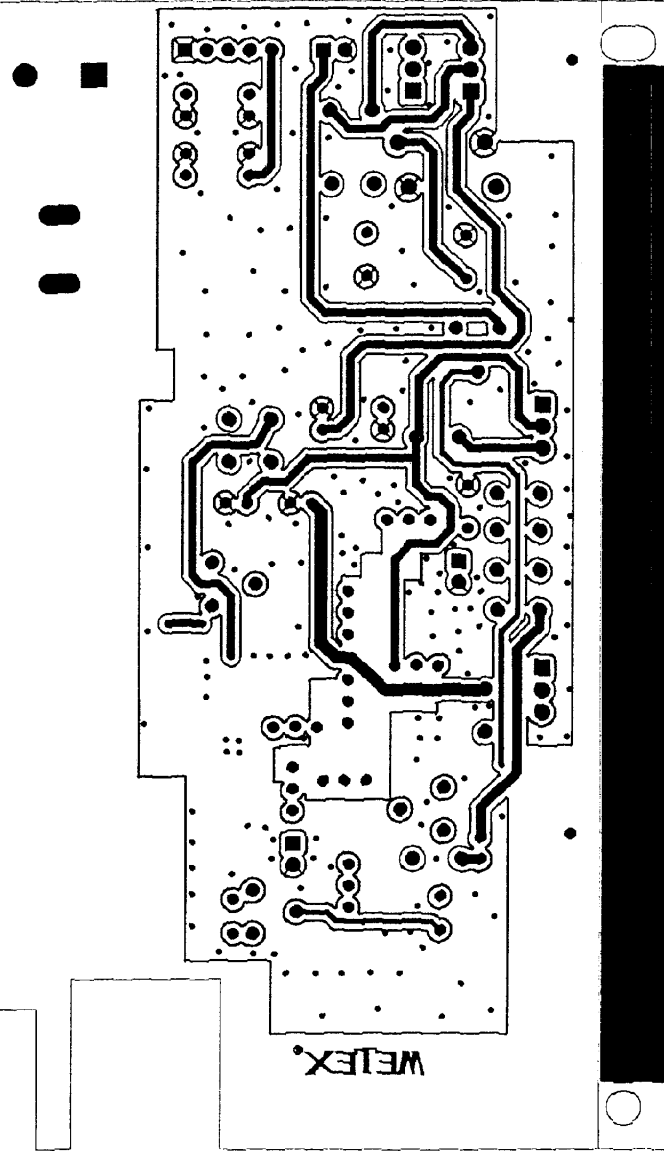
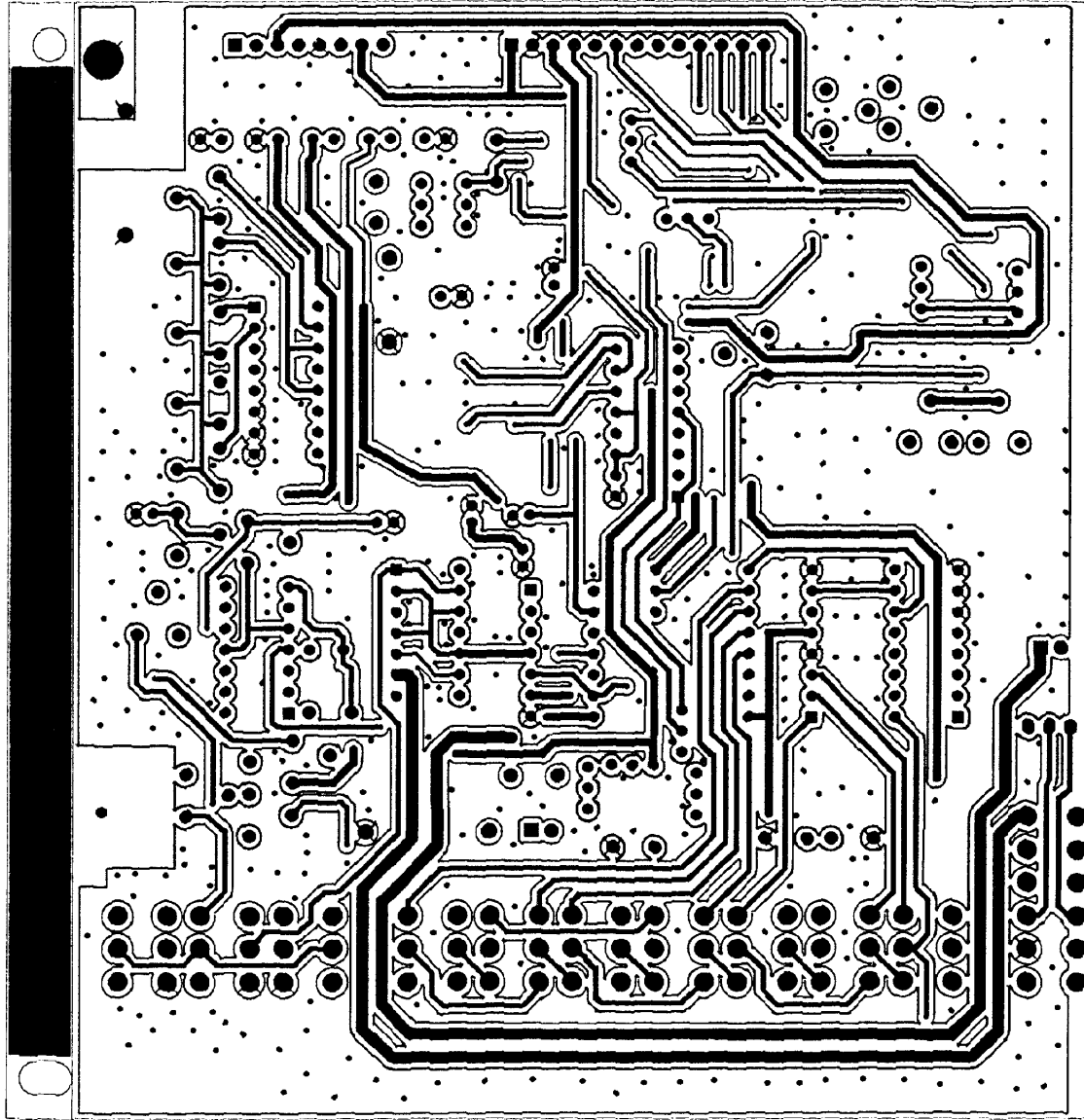


METEX®
METEX MXG-9802
9927

135.0M/M



195.0M/M

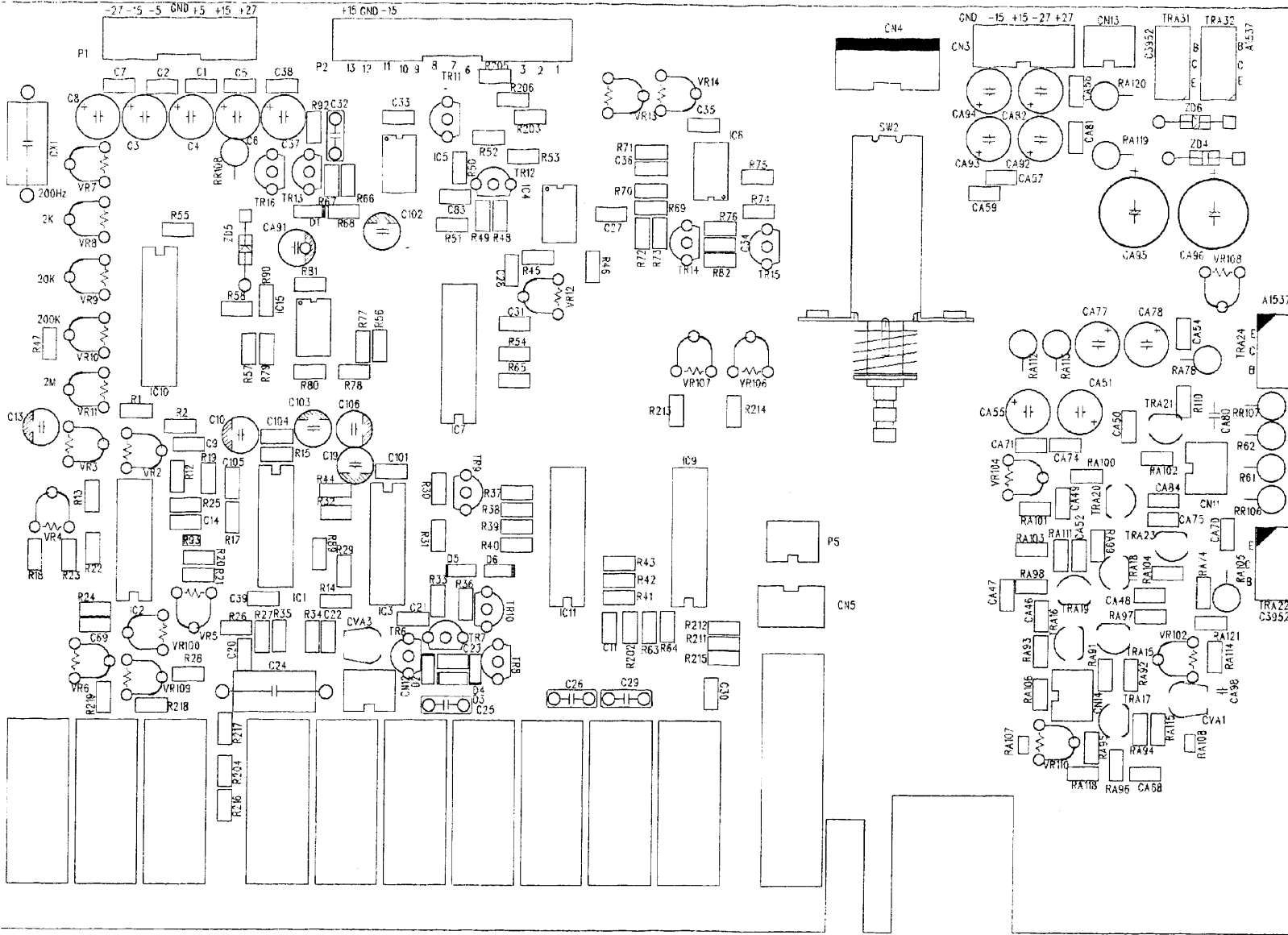


135.0M/M



195.0M/M

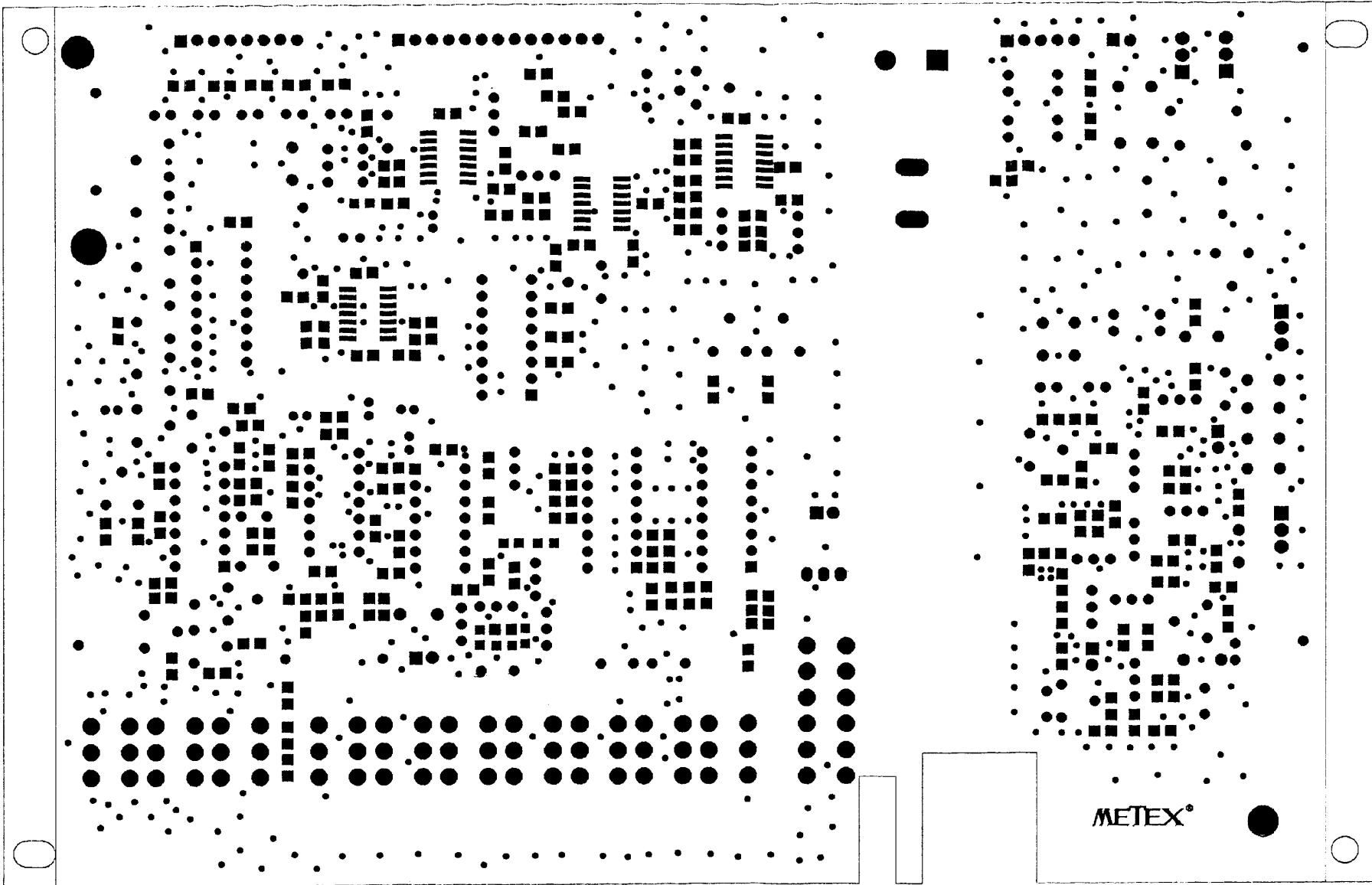
135.0M/M



TOP SILK SCREEN



195.0M/M



135.0M/M

TOP SIDE SOLDER MASK

METEX®



195.0UM/M

135.0UM/M

BOTTOM SIDE SOLDER MASK

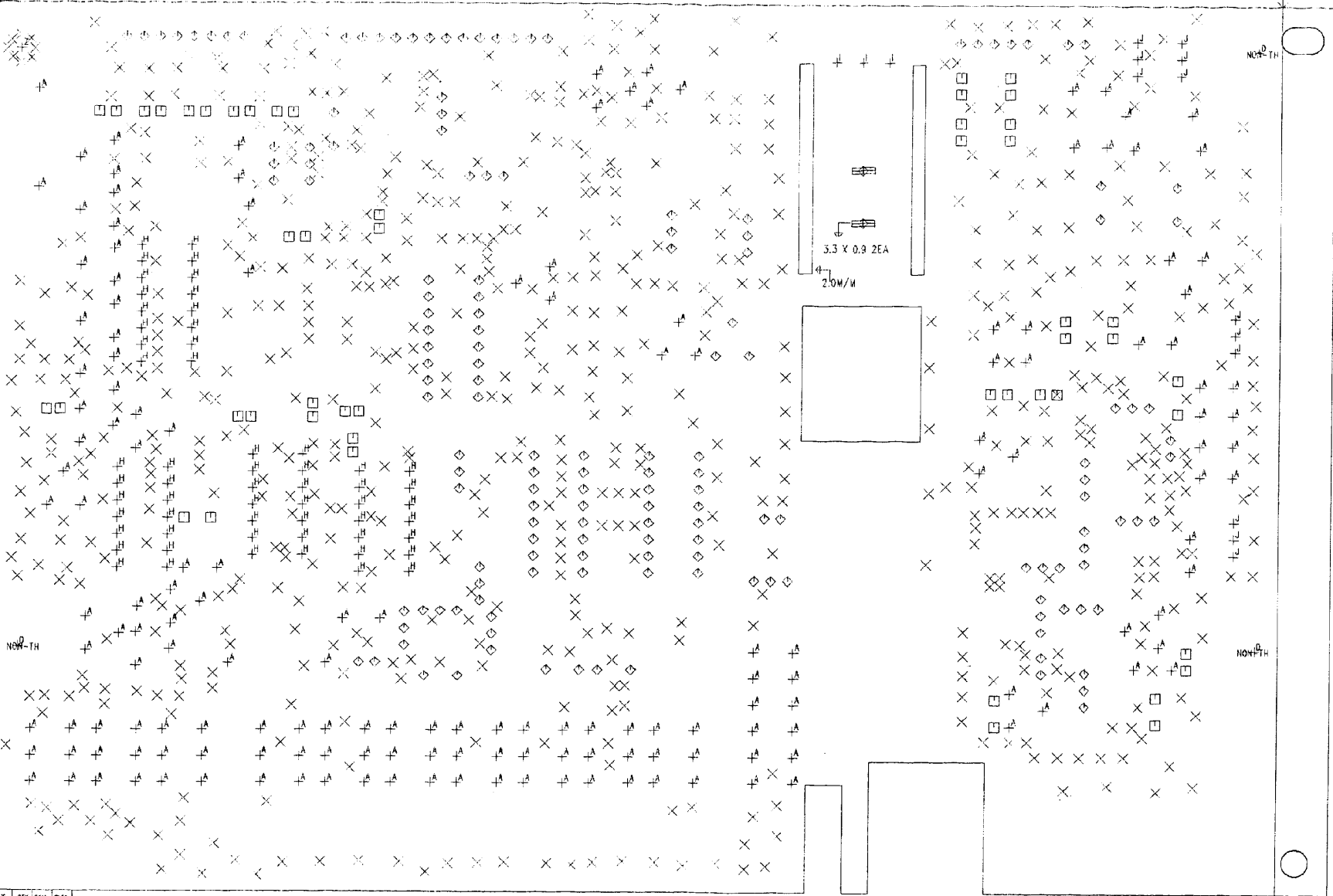
WEITEX



195.0M/M

V CUT

8.0
5.0



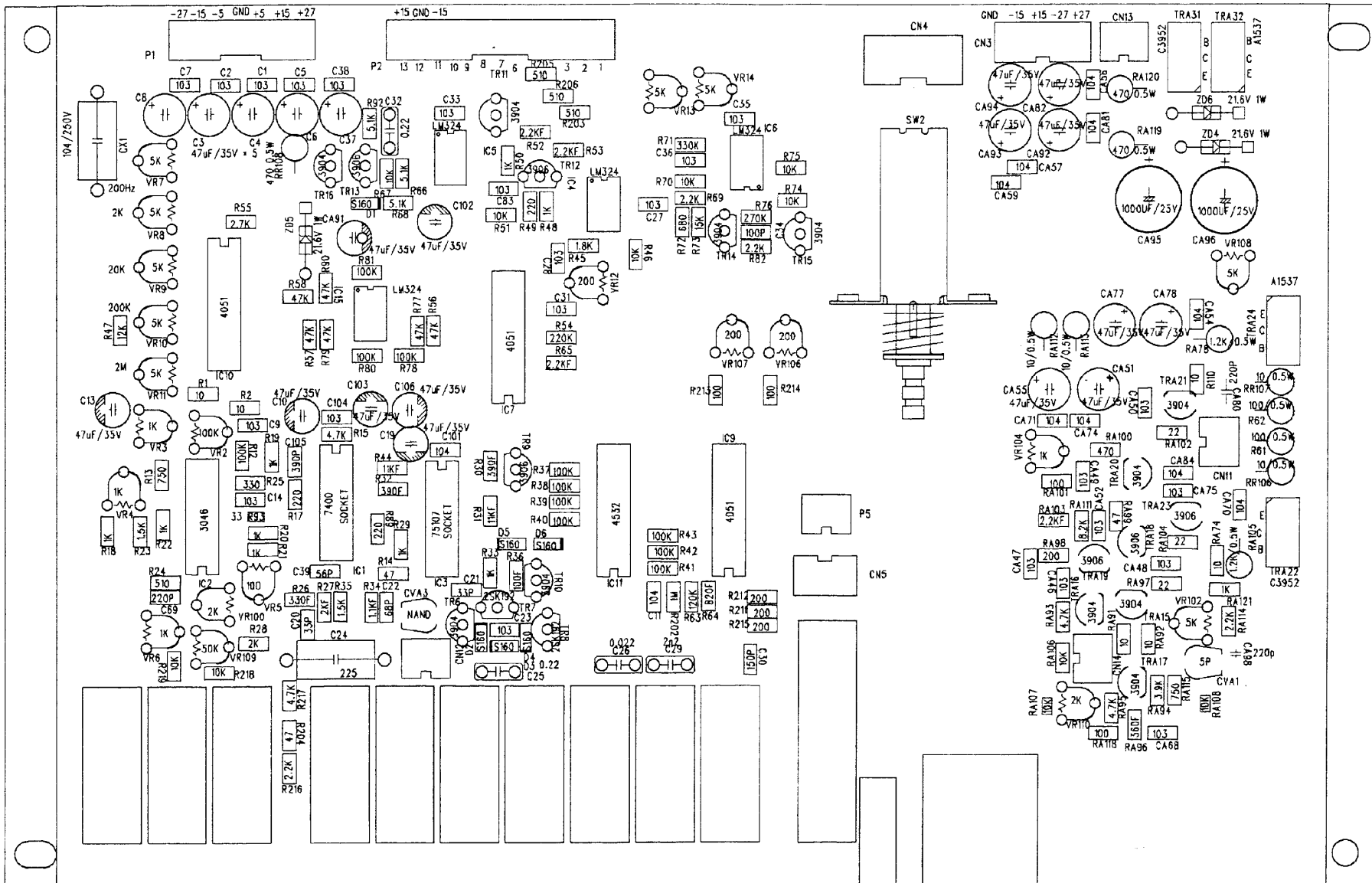
135.0M/M

SIZE	QTY	SIM	PLT
05	678	X	.
06	59	□	.
07	1	○	.
08	1	△	.
09	58	H	.
10	1	1	.
11	1	2	.
12	1	1	.

DRILL DATA



195.0M/M

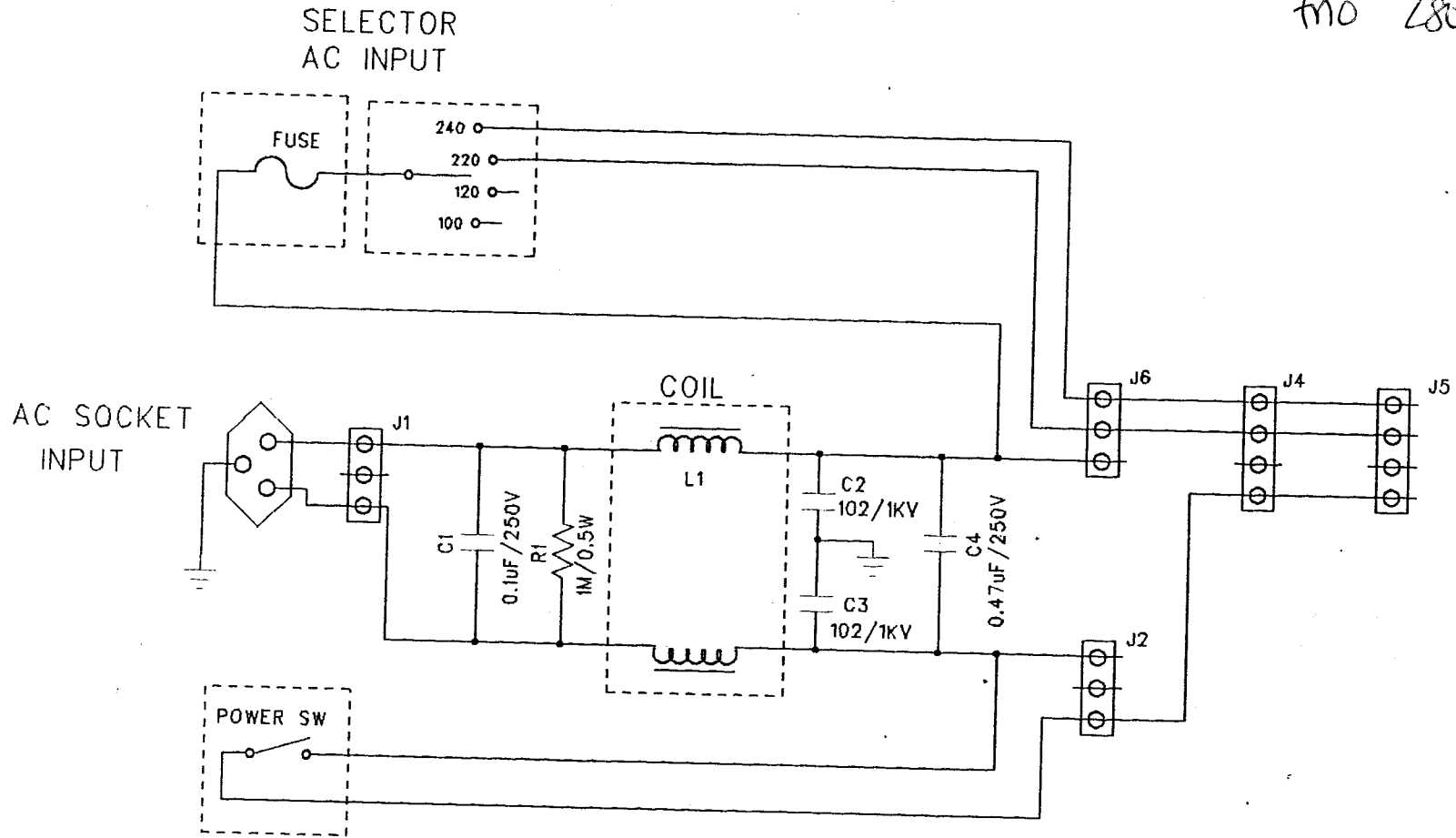


135.0M/M

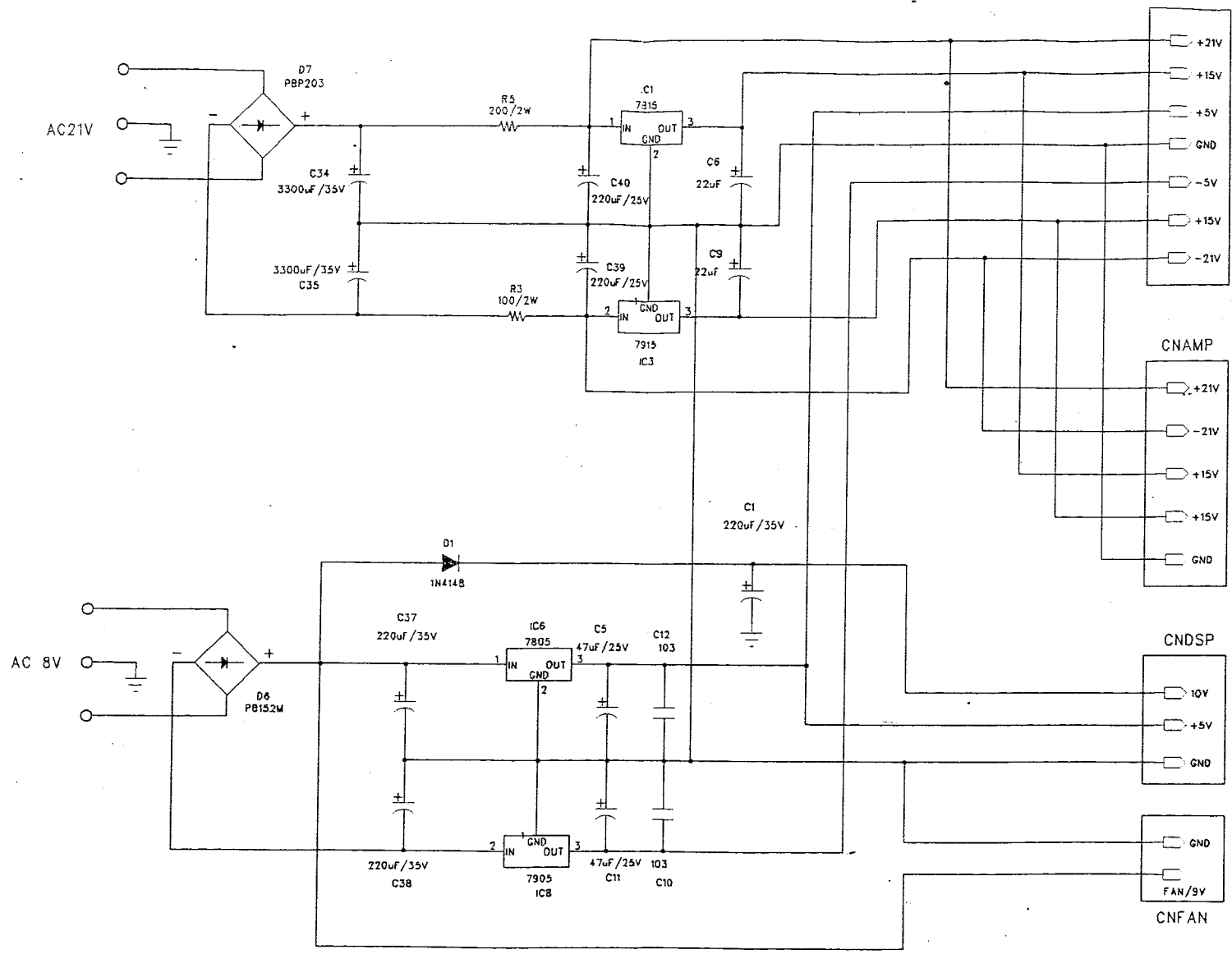
TOP SILK SCREEN



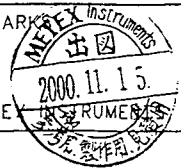
Circuit diagram
no 28073c3

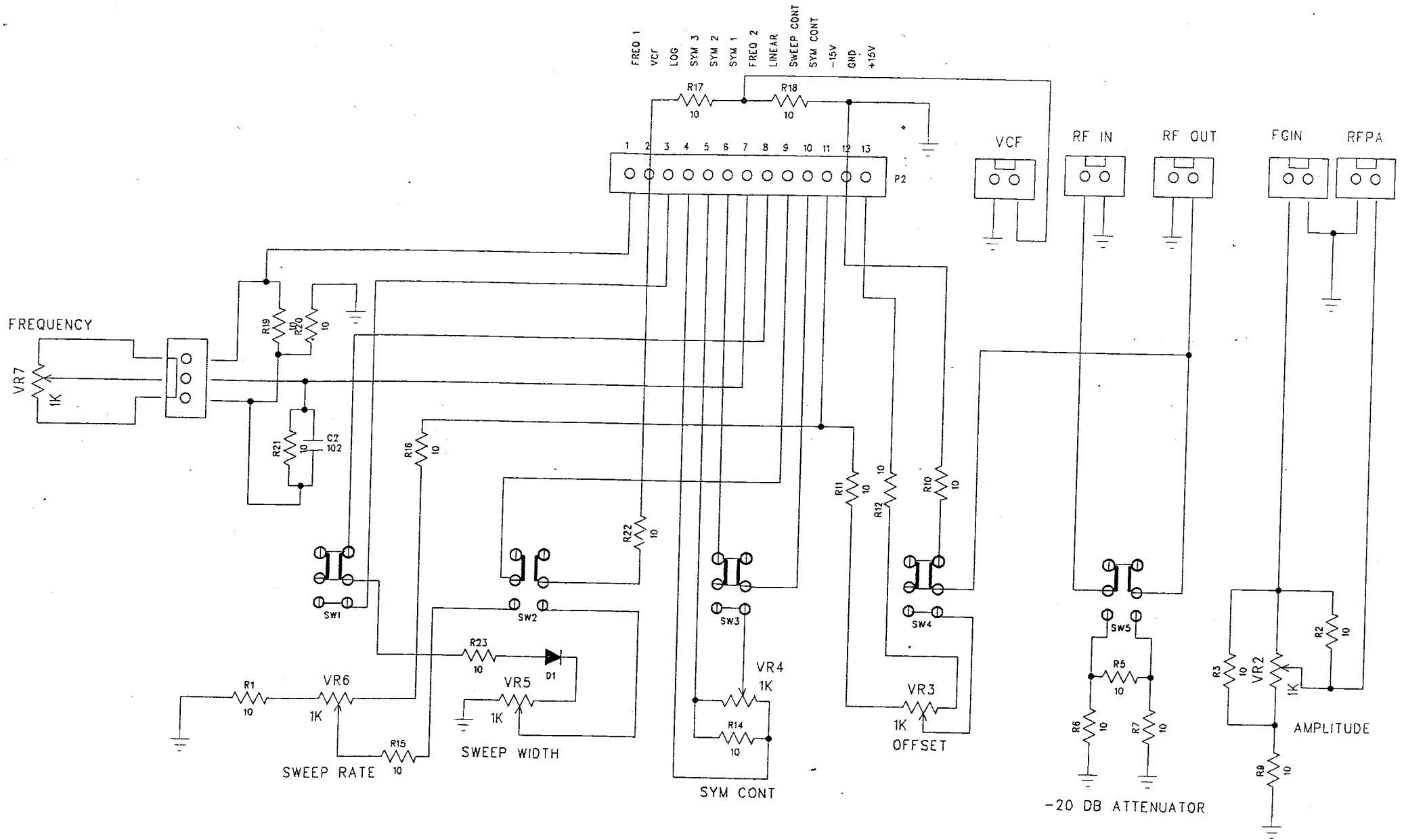


TITLE		FILTER	
DRAWN	CHECKED	APPROVED	DATE: 2001.1.4
M.H.KIM	M.H.KIM		No: 1st
METEX INSTRUMENT			MODEL:MXG-9802A/10A



REMARKS	TITLE						MXG9810 A/9802A POWER SUPPLY					
	DRAWN	DESIGNED	CHECKED	APPROVED	MODEL	MXG9810A						
		BAE				MXG9802						
METE	DATE			2000.11.13			FILE			MXG10P04.SCH		





FGC PART FOR MXG9802A/9810A
 2000.11.13

