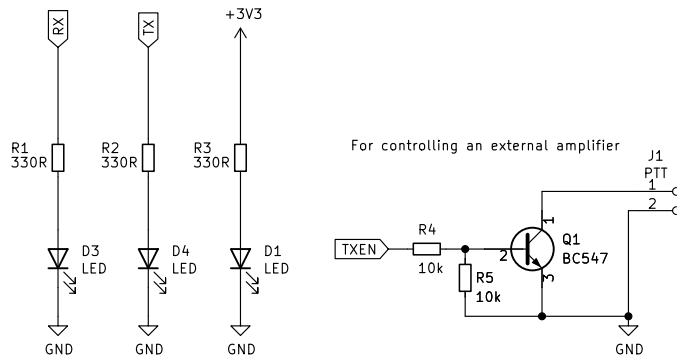
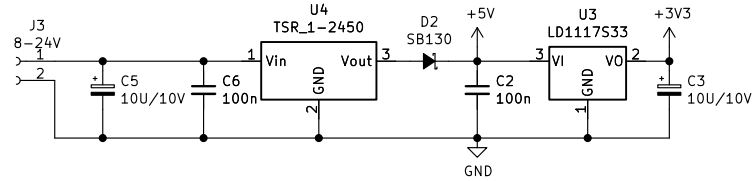


LEDs and PTT



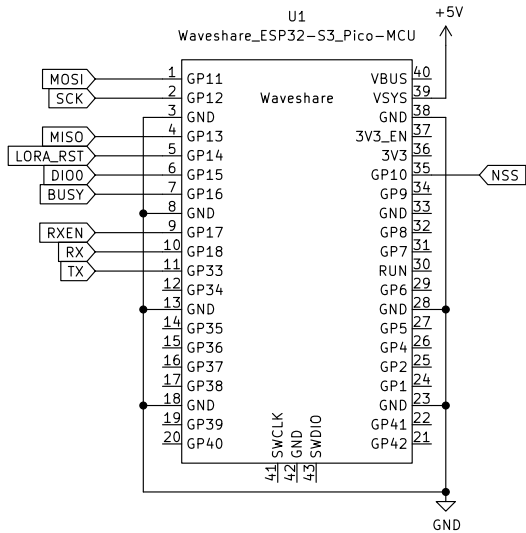
For controlling an external amplifier

Power supply

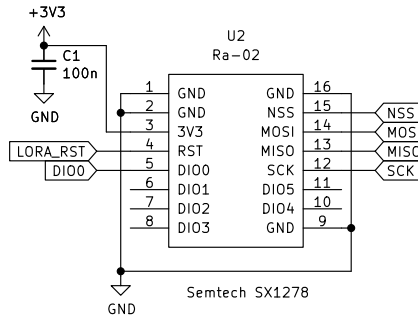


Can be powered by USB or an external power supply.

Waveshare ESP32-S3 Pico

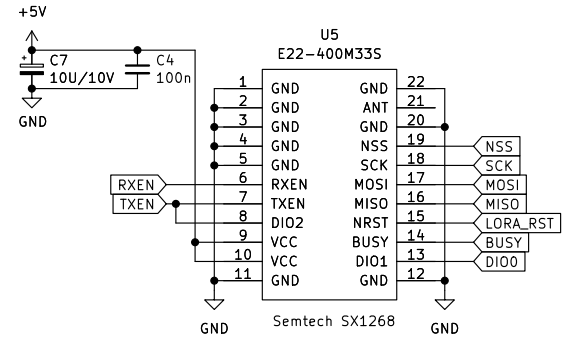


433MHz LORA transceiver



Only one module should be placed at any one time!

Powering LoRa module with 5 Volt ensures maximum RF output power.



NOTE: DIO2 is connected to TXEN!



<https://meezenest.nl/mees>
 M.T. Konstapel
Mees Electronics
 Sheet: /
 File: rnode_pico.kicad_sch



MEES

Title: Rnode pico

Size: A4 Date: 2025-04-07

KiCad E.D.A. kicad 6.0.11

Rev: D

Id: 1/1