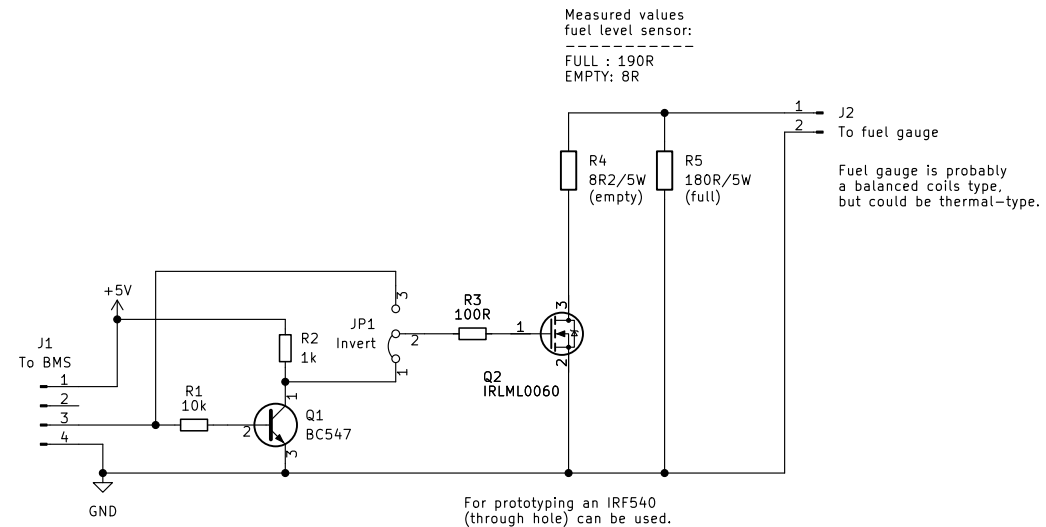


Emus BMS Control Unit  
 +5V OUT: pin 25  
 SOC OUT: pin 24  
 GROUND : pin 26



Adapter to connect fuel gauge of tractor to SoC output of EMUS G1 BMS.  
 Designed for Heagle (<https://heagle.nl>)

<https://meezenest.nl/mees>  
 M.T. Konstapel  
**Mees Electronics**



**MEES**

Sheet: /  
 File: SoC\_meter.kicad\_sch

**Title: Fuel gauge adapter for electric tractor**

Size: A4 Date: 2024-05-17

KiCad E.D.A. kicad 6.0.11

Rev: A

Id: 1/1